

# AV RECEIVER/AV AMPLIFIER

## RX-V740/RX-V740RDS/DSP-AX740

## RX-V640/RX-V640RDS/HTR-5660/DSP-AX640/DSP-AX640SE

# SERVICE MANUAL

### IMPORTANT NOTICE

This manual has been provided for the use of authorized YAMAHA Retailers and their service personnel. It has been assumed that basic service procedures inherent to the industry, and more specifically YAMAHA Products, are already known and understood by the users, and have therefore not been restated.

**WARNING:** Failure to follow appropriate service and safety procedures when servicing this product may result in personal injury, destruction of expensive components, and failure of the product to perform as specified. For these reasons, we advise all YAMAHA product owners that any service required should be performed by an authorized YAMAHA Retailer or the appointed service representative.

**IMPORTANT:** The presentation or sale of this manual to any individual or firm does not constitute authorization, certification or recognition of any applicable technical capabilities, or establish a principle-agent relationship of any form.

The data provided is believed to be accurate and applicable to the unit(s) indicated on the cover. The research, engineering, and service departments of YAMAHA are continually striving to improve YAMAHA products. Modifications are, therefore, inevitable and specifications are subject to change without notice or obligation to retrofit. Should any discrepancy appear to exist, please contact the distributor's Service Division.

**WARNING:** Static discharges can destroy expensive components. Discharge any static electricity your body may have accumulated by grounding yourself to the ground buss in the unit (heavy gauge black wires connect to this buss).

**IMPORTANT:** Turn the unit OFF during disassembly and part replacement. Recheck all work before you apply power to the unit.

## ■ CONTENTS

<p>TO SERVICE PERSONNEL ..... 2</p> <p>IMPEDANCE SELECTOR ..... 2</p> <p>FRONT PANELS ..... 3~5</p> <p>REAR PANELS ..... 6~12</p> <p>REMOTE CONTROL PANELS ..... 13</p> <p>SPECIFICATIONS / 参考仕様 ..... 14~17</p> <p>INTERNAL VIEW ..... 18</p> <p>DISASSEMBLY PROCEDURES / 分解手順 ..... 19~22</p> <p>SELF DIAGNOSIS FUNCTION (DIAG) / 自己診断機能 (ダイアグ) ..... 23~44</p>	<p>AMP ADJUSTMENT / アンプ部調整 ..... 45</p> <p>DISPLAY DATA ..... 46~47</p> <p>IC DATA ..... 48~53</p> <p>BLOCK DIAGRAM ..... 54~55</p> <p>PRINTED CIRCUIT BOARD ..... 56~79</p> <p>PIN CONNECTION DIAGRAM ..... 80</p> <p>SCHEMATIC DIAGRAM ..... 81~92</p> <p>PARTS LIST ..... 93~147</p> <p>REMOTE CONTROL ..... 148~152</p>
---	---



このサービスマニュアルは、エコマーク認定の再生紙を使用しています。  
This Service Manual uses recycled paper.

100847

Copyright 2003 YAMAHA CORPORATION □  
This manual is copyrighted by YAMAHA and may not be copied or □  
redistributed either in print or electronically without permission. □



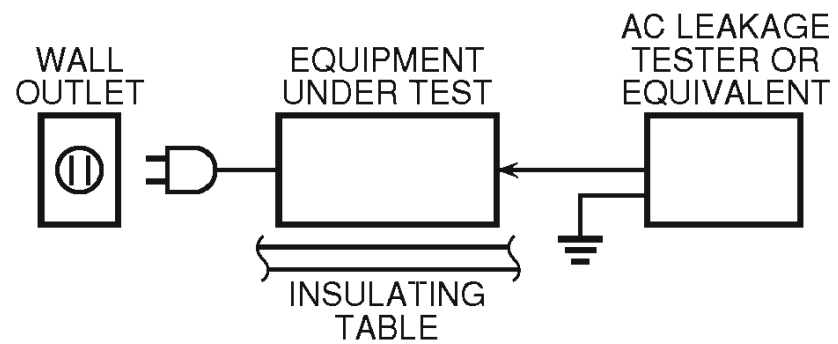
YAMAHA

YAMAHA CORPORATION  
P.O.Box 1, Hamamatsu, Japan

RX-V740/RX-V740RDS/DSP-AX740  
RX-V640/RX-V640RDS/HTR-5660/DSP-AX640/DSP-AX640SE

## ■ TO SERVICE PERSONNEL

1. Critical Components Information  
 Components having special characteristics are marked  $\Delta$  and must be replaced with parts having specifications equal to those originally installed.
2. Leakage Current Measurement (For 120V Models Only)  
 When service has been completed, it is imperative to verify that all exposed conductive surfaces are properly insulated from supply circuits.
  - Meter impedance should be equivalent to 1500 ohm shunted by 0.15 $\mu$ F.



- Leakage current must not exceed 0.5mA.
- Be sure to test for leakage with the AC plug in both polarities.



### “CAUTION”

“F701, 702: FOR CONTINUED PROTECTION AGAINST RISK OF FIRE, REPLACE ONLY WITH SAME TYPE 8A, 125V FUSE.”

### CAUTION

F701, 702: REPLACE WITH SAME TYPE 8A, 125V FUSE.

### ATTENTION

F701, 702: UTILISER UN FUSIBLE DE RECHANGE DE MEME TYPE DE 8A, 125V.

## WARNING: CHEMICAL CONTENT NOTICE!

The solder used in the production of this product contains LEAD. In addition, other electrical/electronic and/or plastic (where applicable) components may also contain traces of chemicals found by the California Health and Welfare Agency (and possibly other entities) to cause cancer and/or birth defects or other reproductive harm.

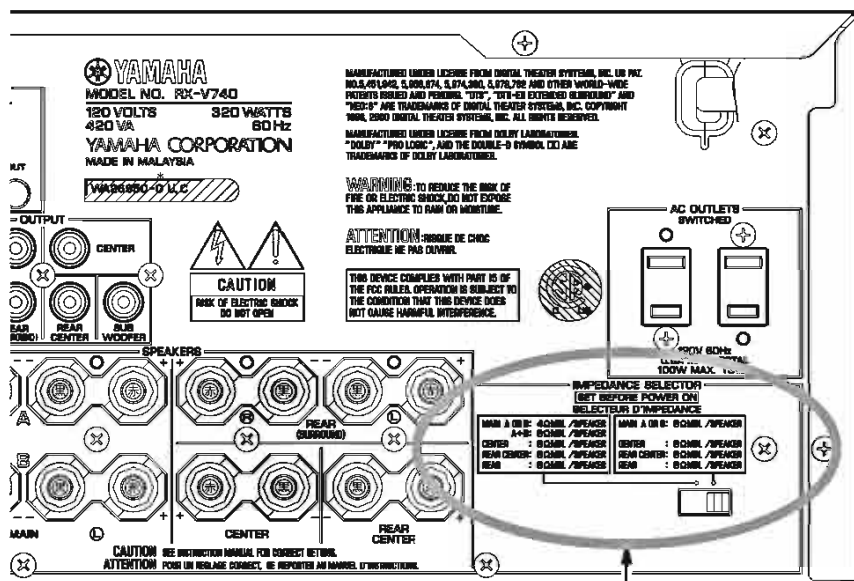
DO NOT PLACE SOLDER, ELECTRICAL/ELECTRONIC OR PLASTIC COMPONENTS IN YOUR MOUTH FOR ANY REASON WHATSOEVER!

Avoid prolonged, unprotected contact between solder and your skin! When soldering, do not inhale solder fumes or expose eyes to solder/flux vapor!

If you come in contact with solder or components located inside the enclosure of this product, wash your hands before handling food.

## ■ IMPEDANCE SELECTOR

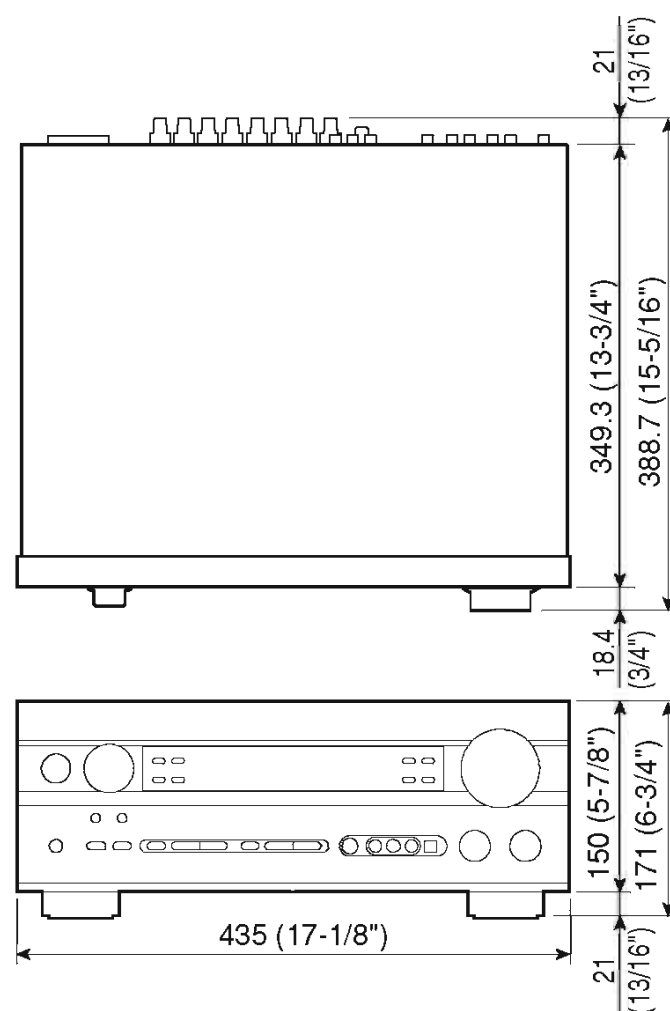
### • DIMENSIONS / 寸法図



### IMPEDANCE SELECTOR

#### WARNING:

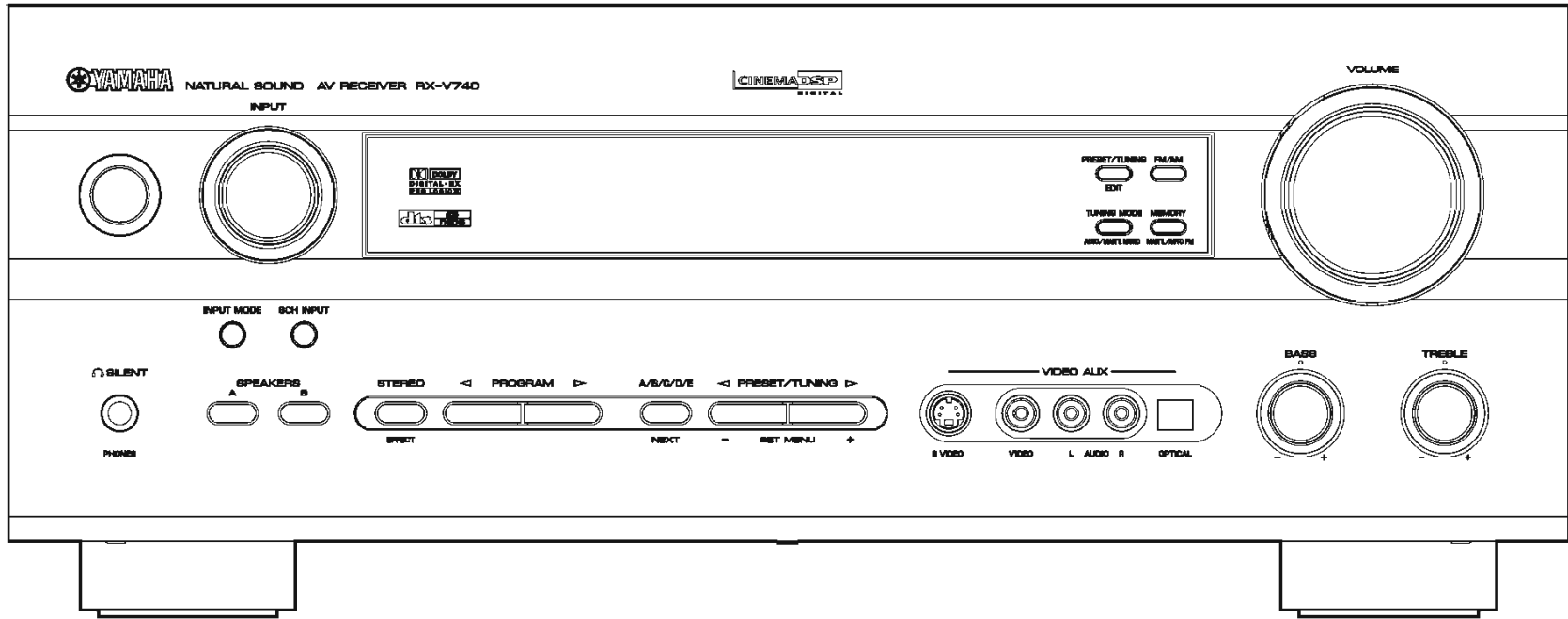
Do not change the IMPEDANCE SELECTOR switch setting while the power to this unit is on, otherwise this unit may be damaged.



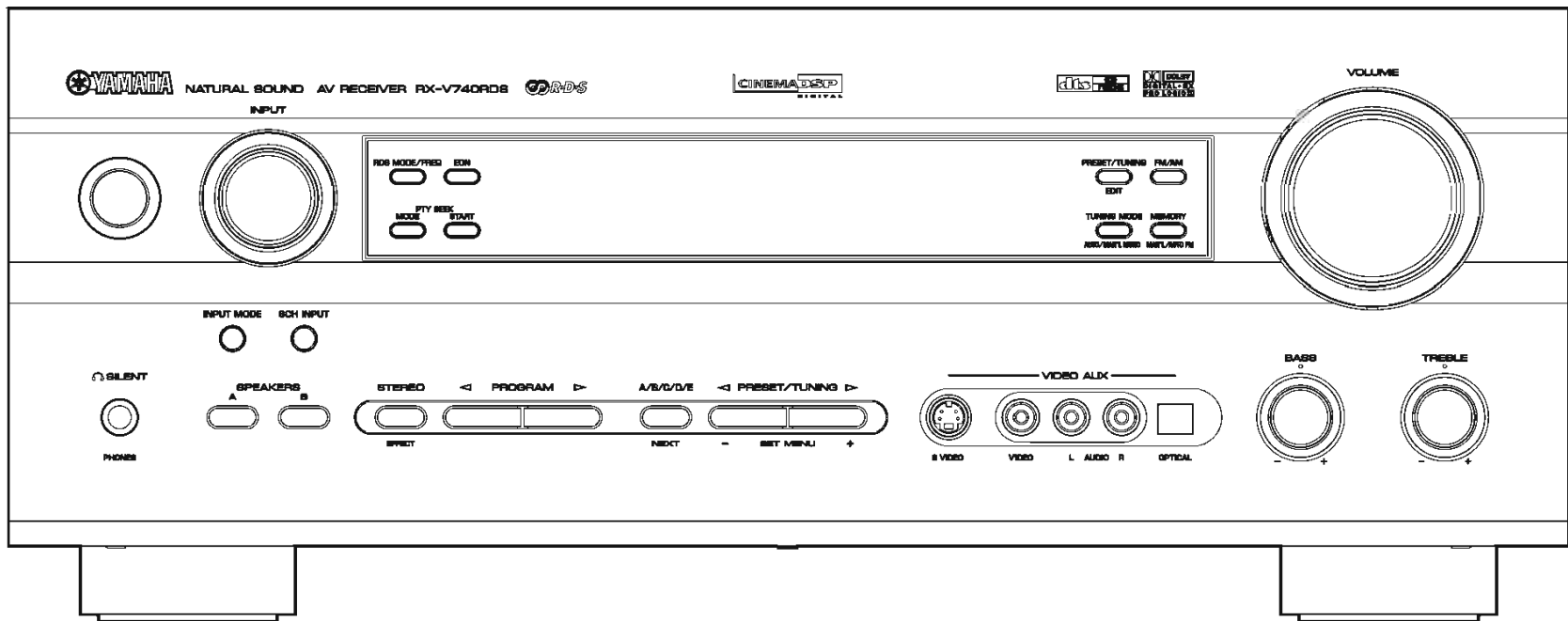
Unit : mm (inch)  
 単位: mm (インチ)

## FRONT PANELS

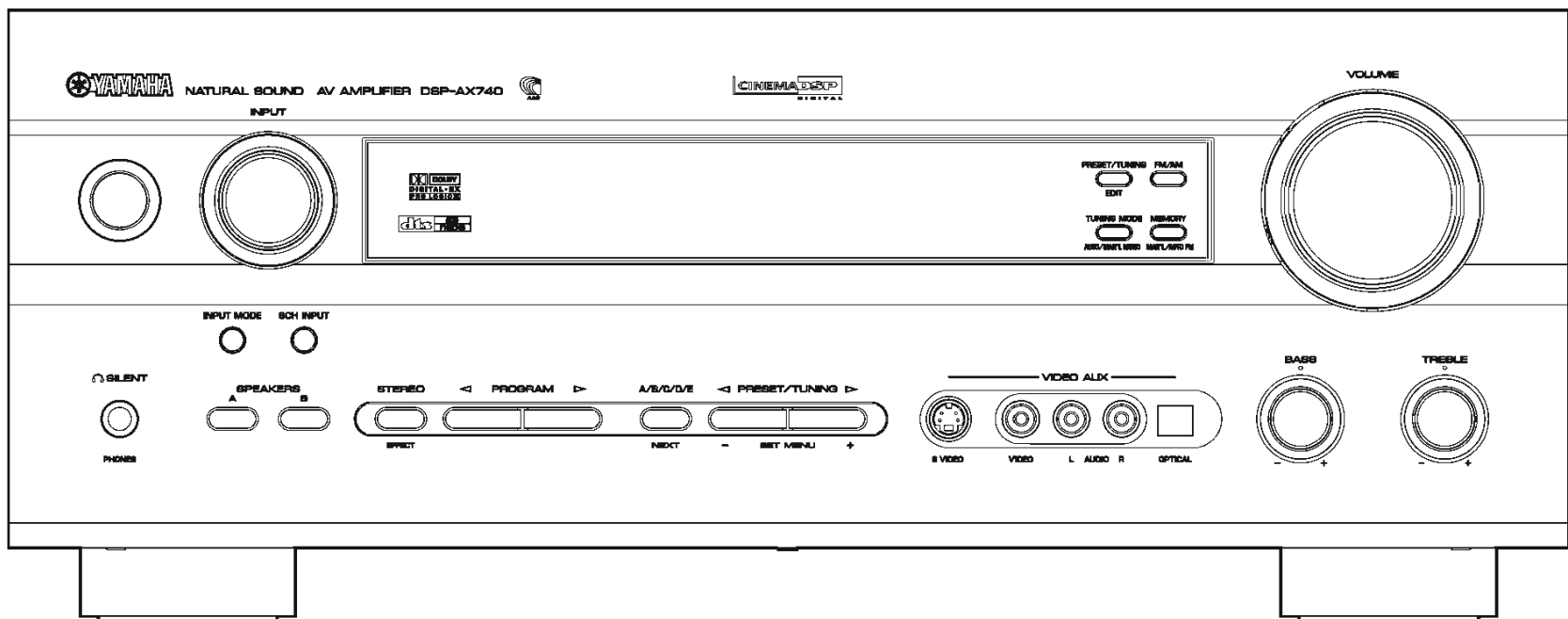
RX-V740 (U, C, A, L, R, T, K models)



RX-V740RDS (B, G models)



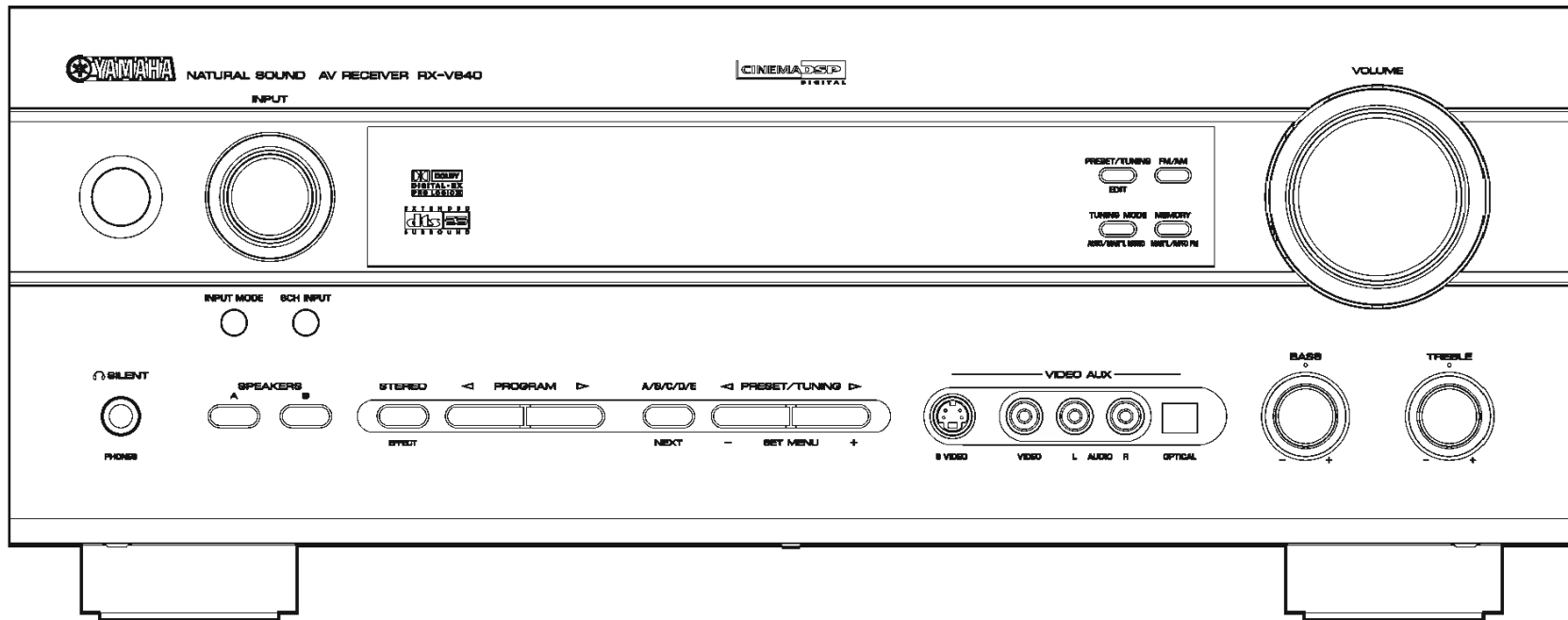
DSP-AX740 (J model)



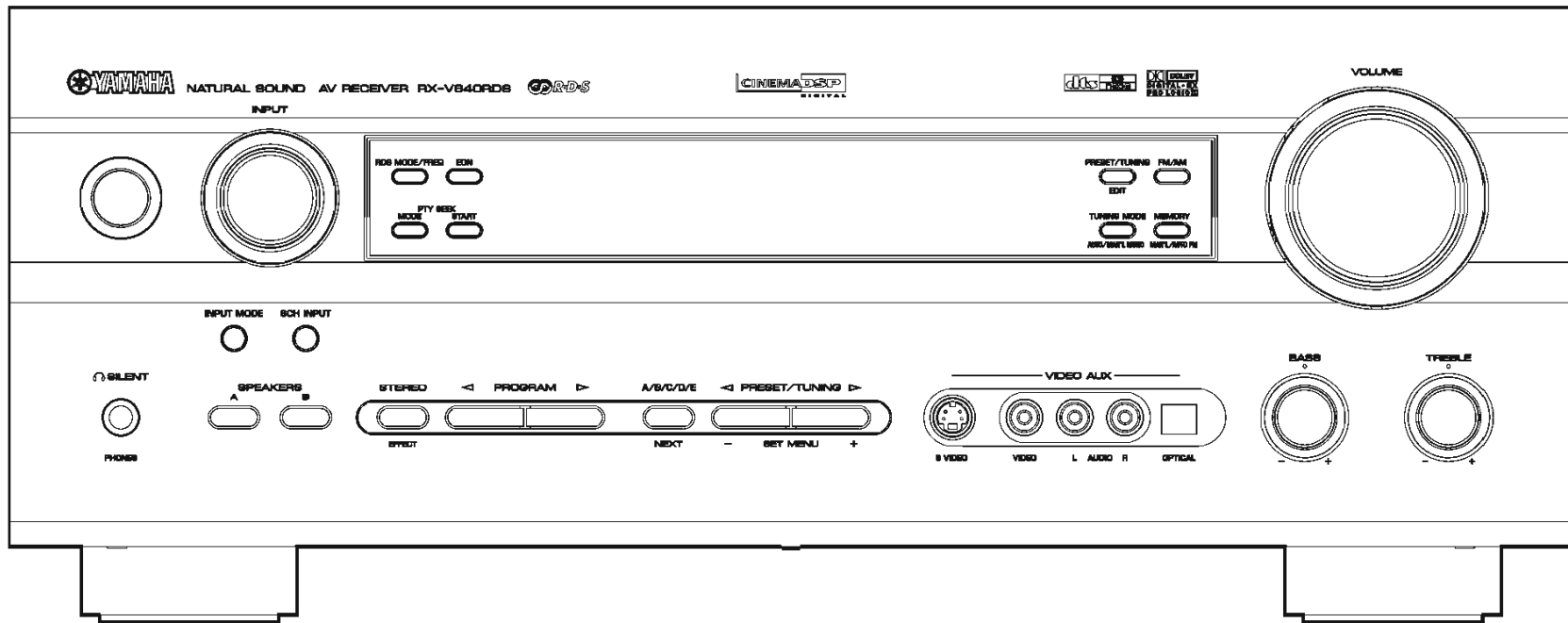
RX-V740/RX-V740RDS/DSP-AX740  
 RX-V640/RX-V640RDS/HTR-5660/DSP-AX640/DSP-AX640SE

RX-V740/RX-V740RDS/DSP-AX740  
 RX-V640/RX-V640RDS/HTR-5660/DSP-AX640/DSP-AX640SE

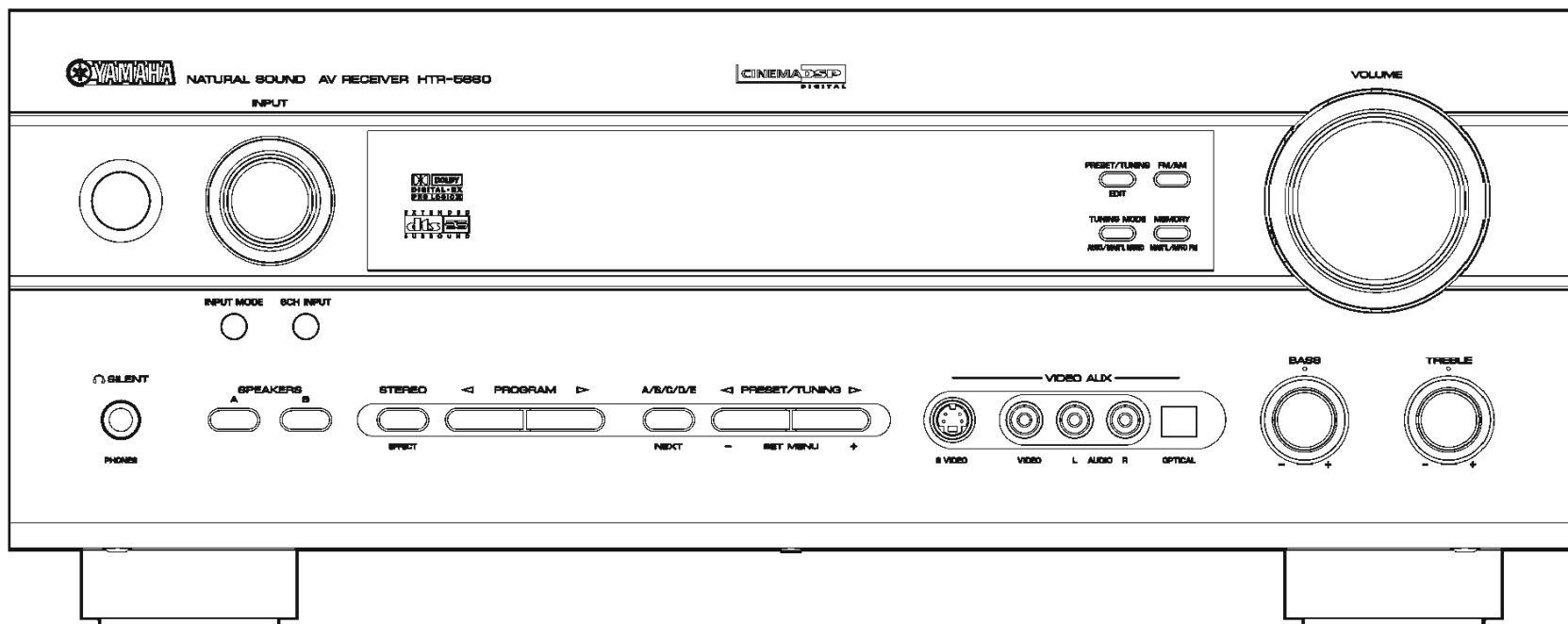
RX-V640 (U, C, A, L, R, T, K models)



RX-V640RDS (B, G models)



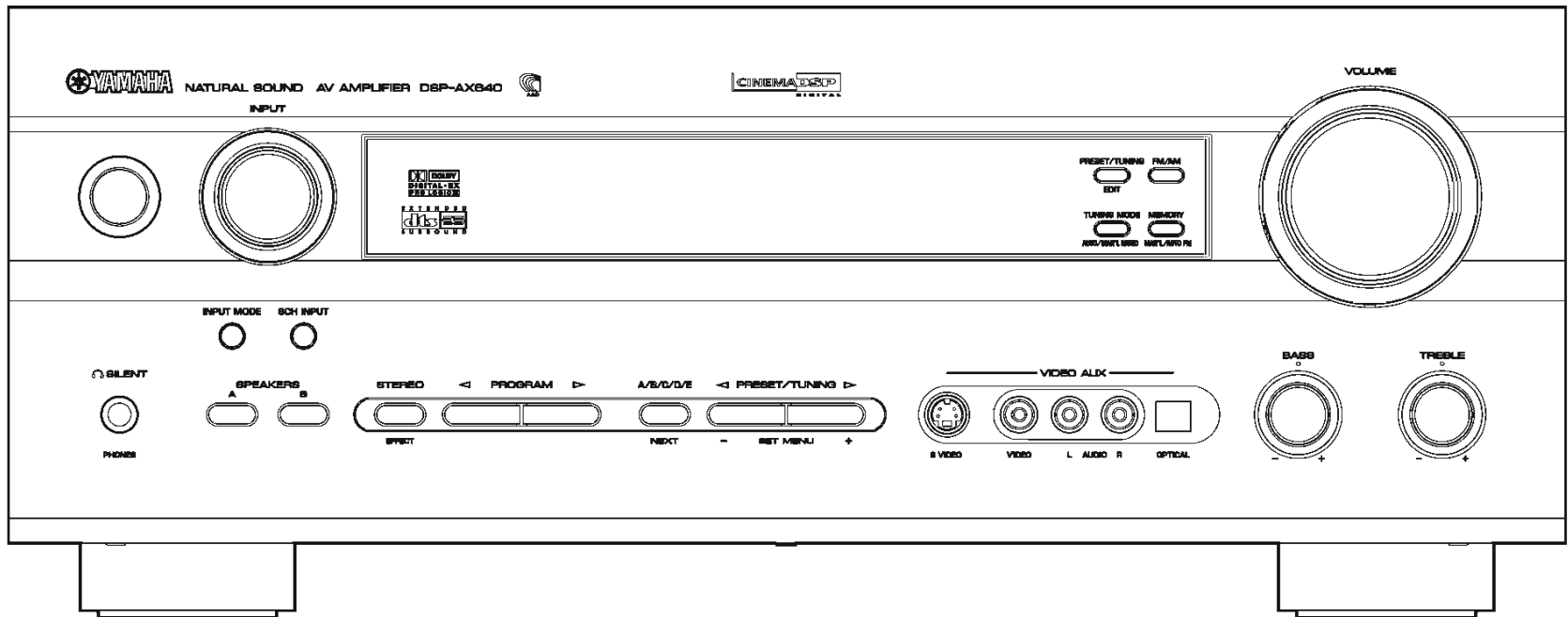
HTR-5660 (U, C, A, T, K models)



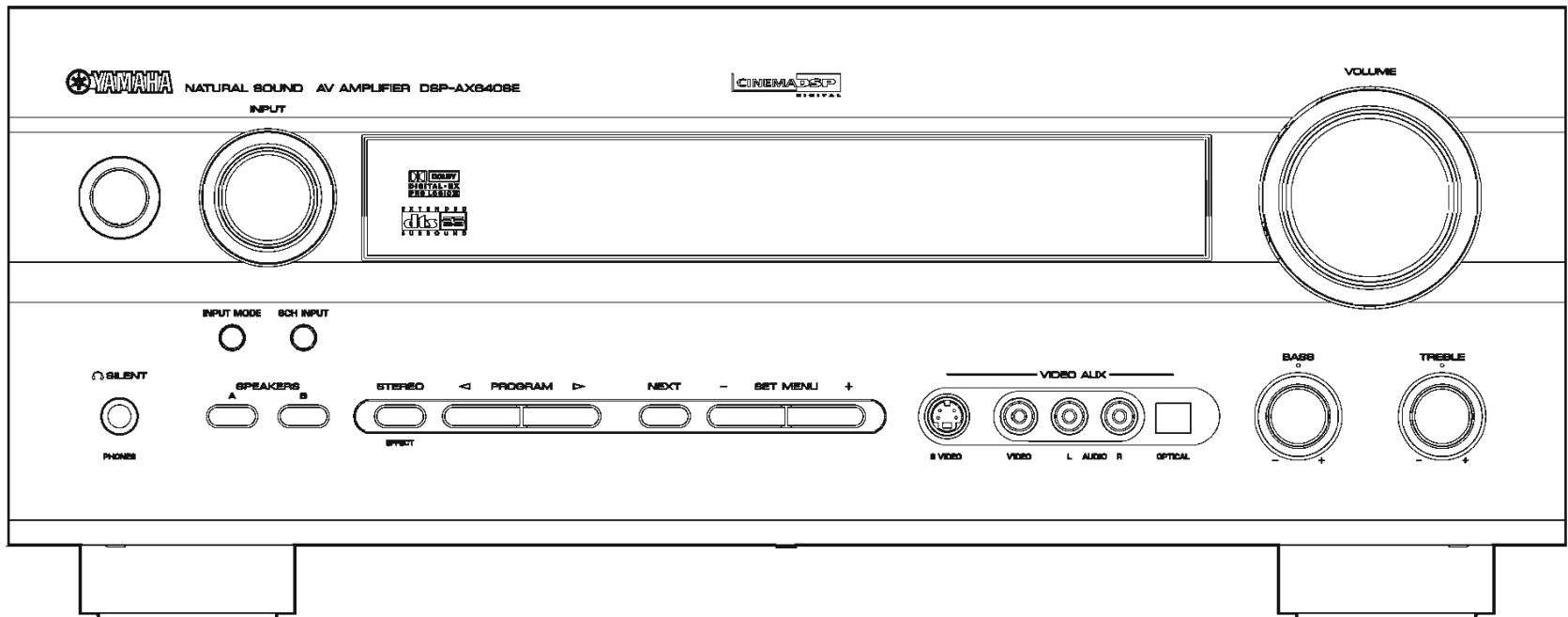
RX-V740/RX-V740RDS/DSP-AX740  
 RX-V640/RX-V640RDS/HTR-5660/DSP-AX640/DSP-AX640SE



DSP-AX640 (J model)



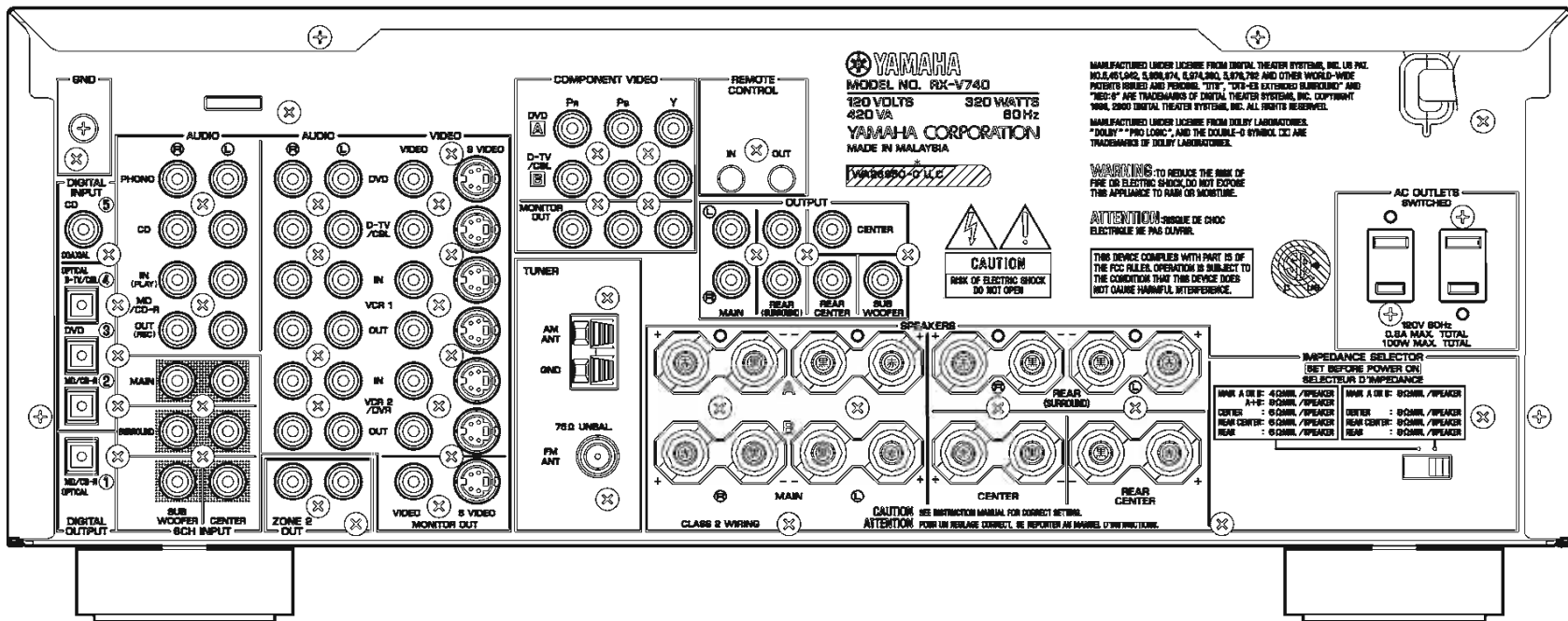
DSP-AX640SE (B, G models)



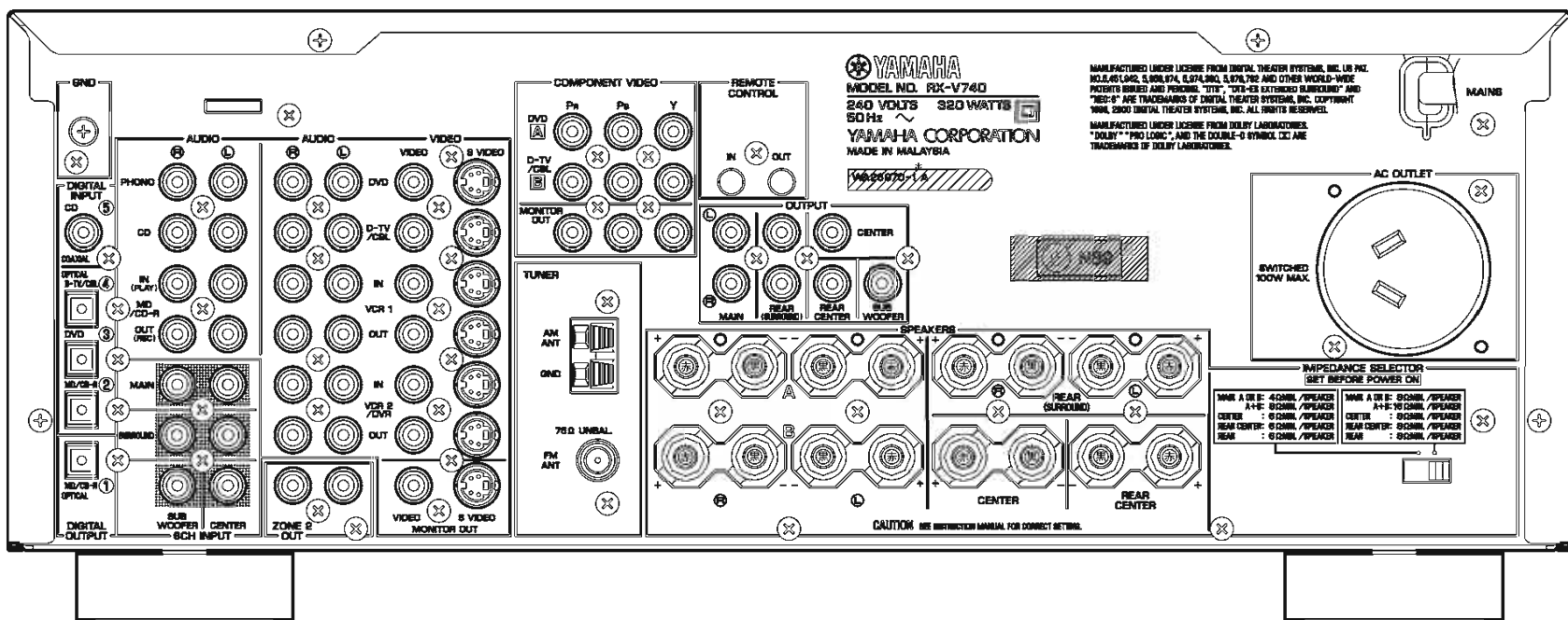
RX-V740/RX-V740RDS/DSP-AX740  
 RX-V640/RX-V640RDS/HTR-5660/DSP-AX640/DSP-AX640SE

## REAR PANELS

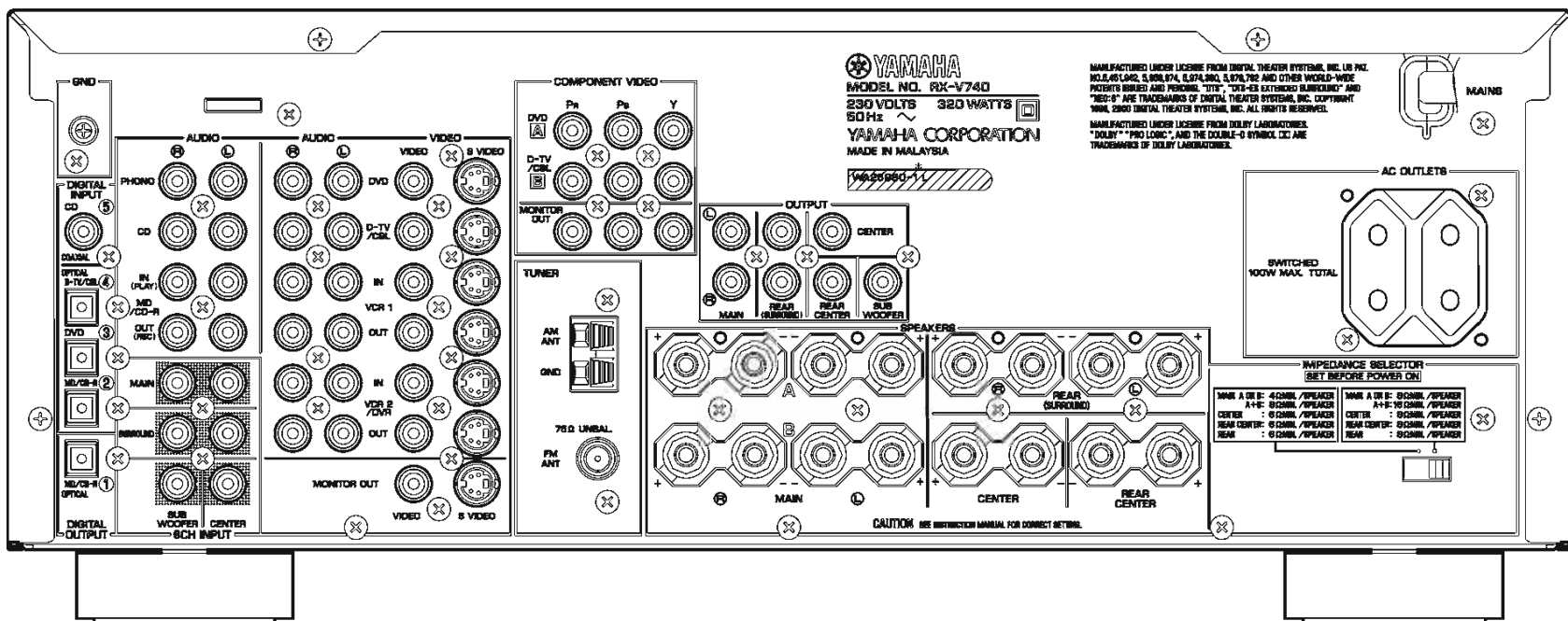
### RX-V740 (U, C models)



### RX-V740 (A model)

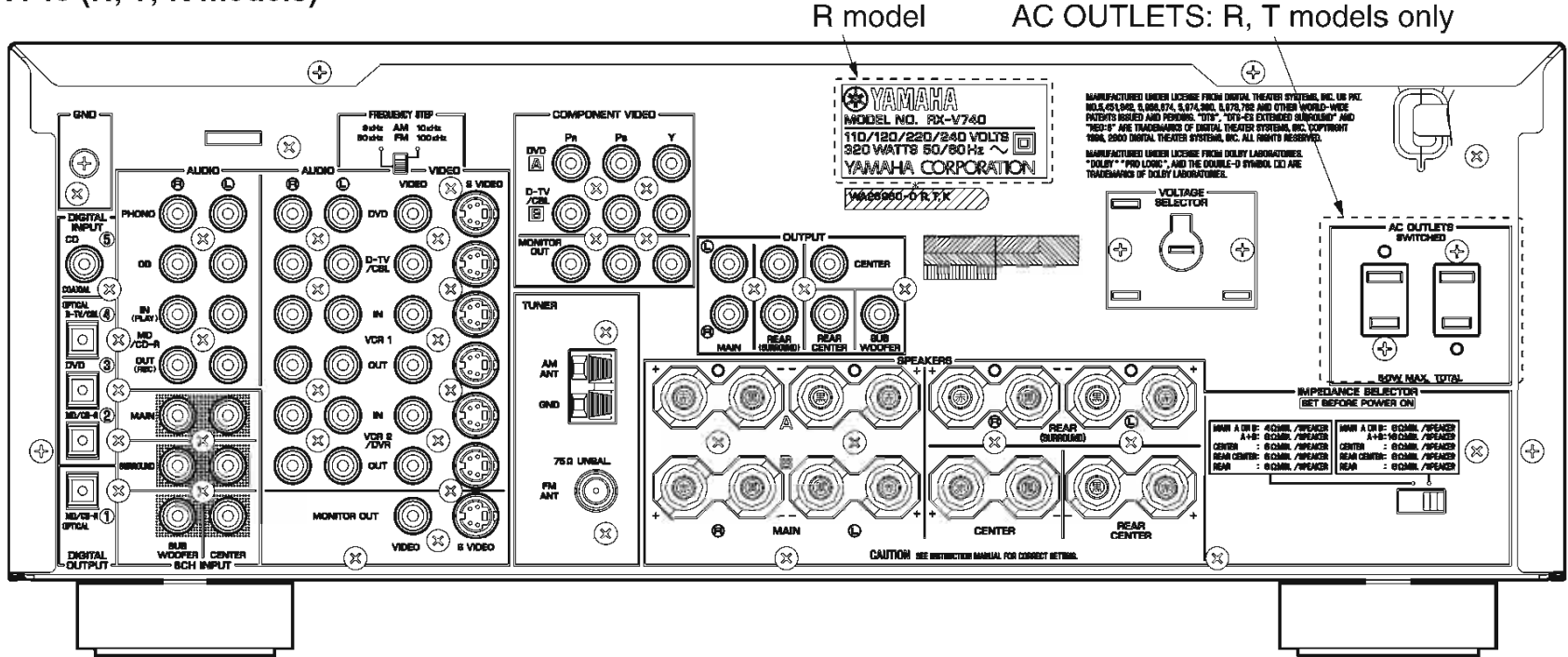


### RX-V740 (L model)

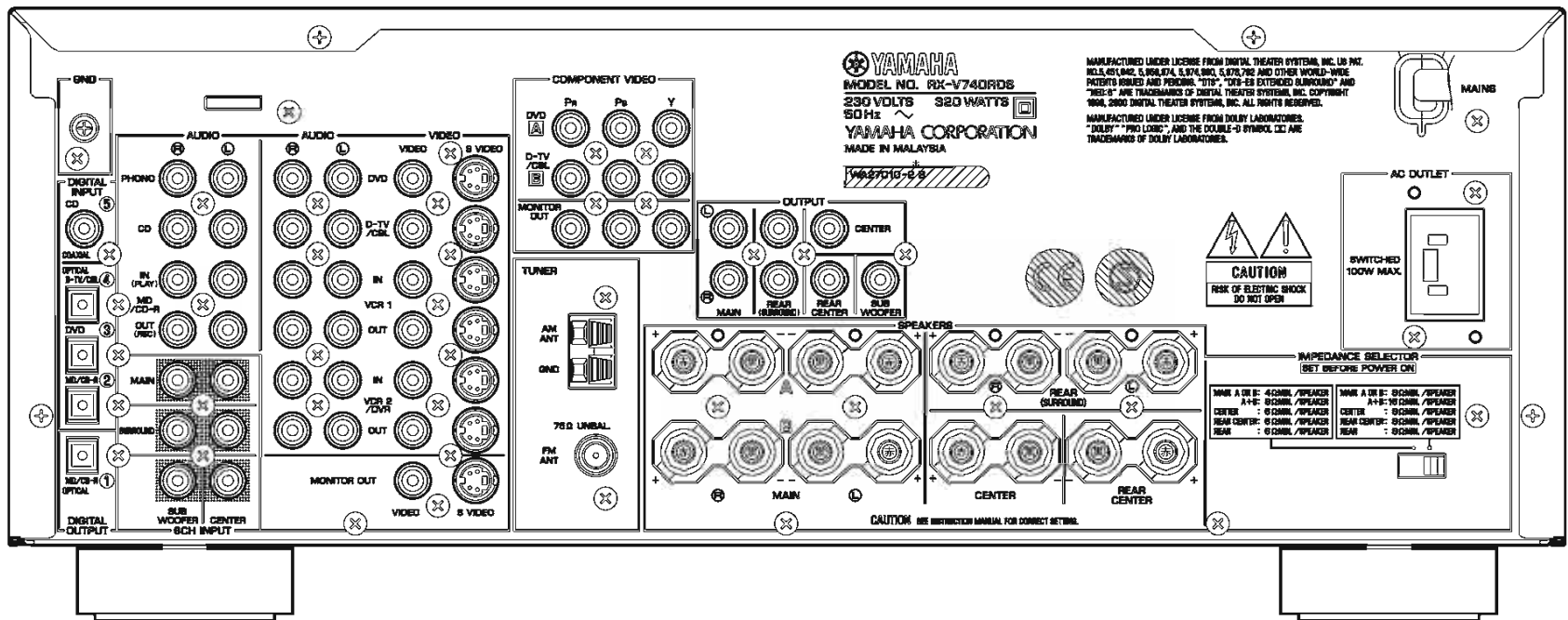


RX-V740/RX-V740RDS/DSP-AX740  
 RX-V640/RX-V640RDS/HTR-5660/DSP-AX640/DSP-AX640SE

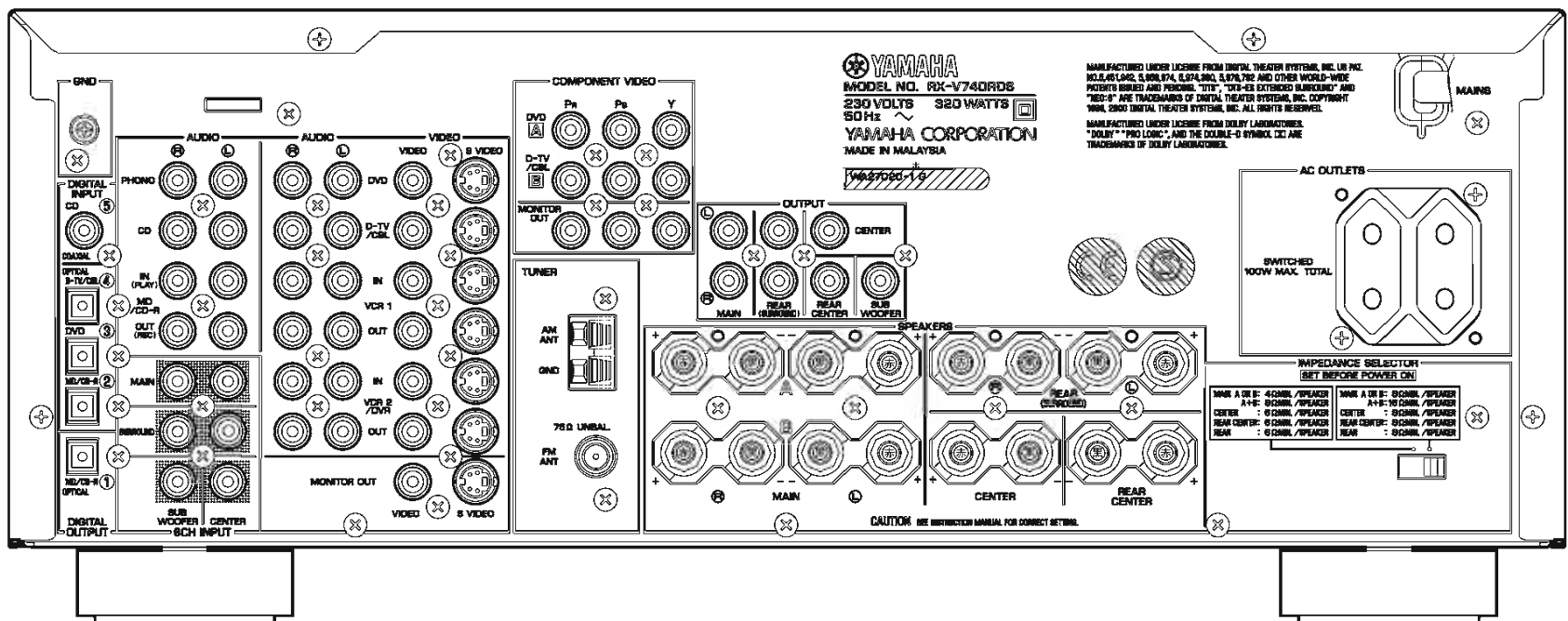
RX-V740 (R, T, K models)



RX-V740RDS (B model)



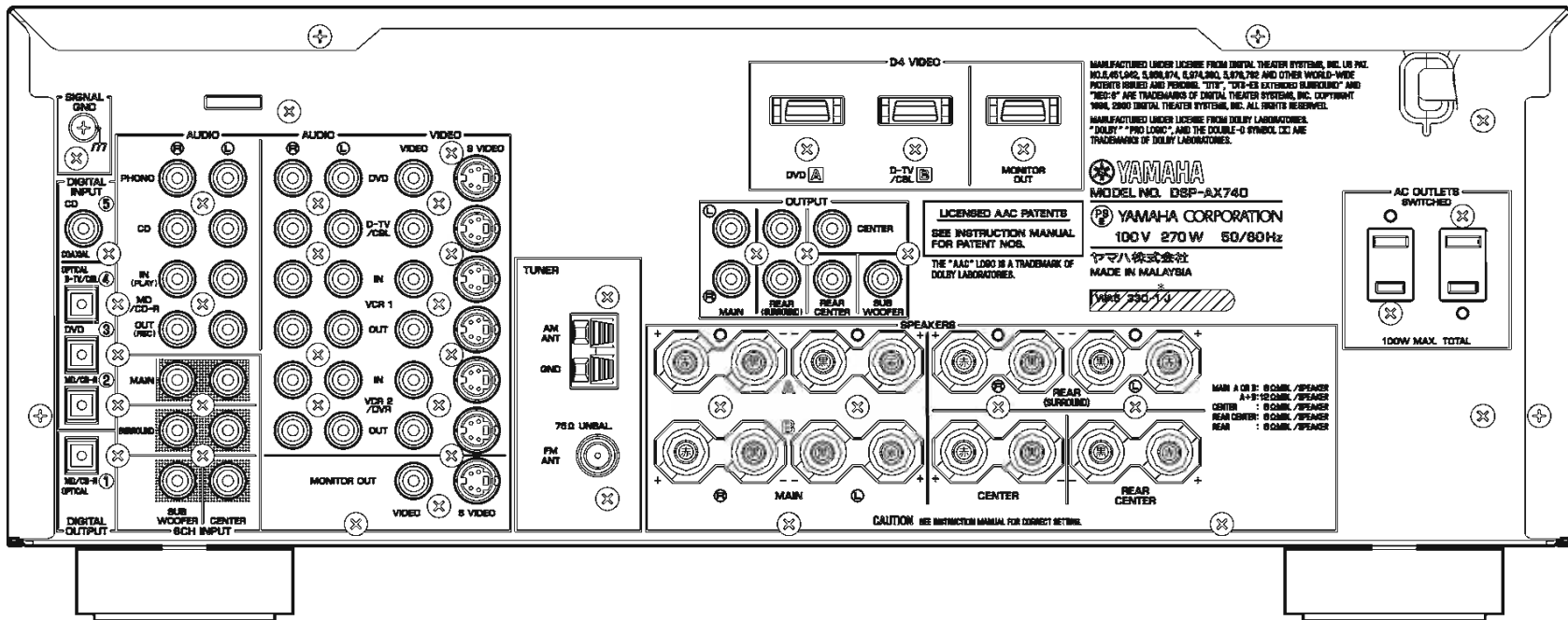
RX-V740RDS (G model)



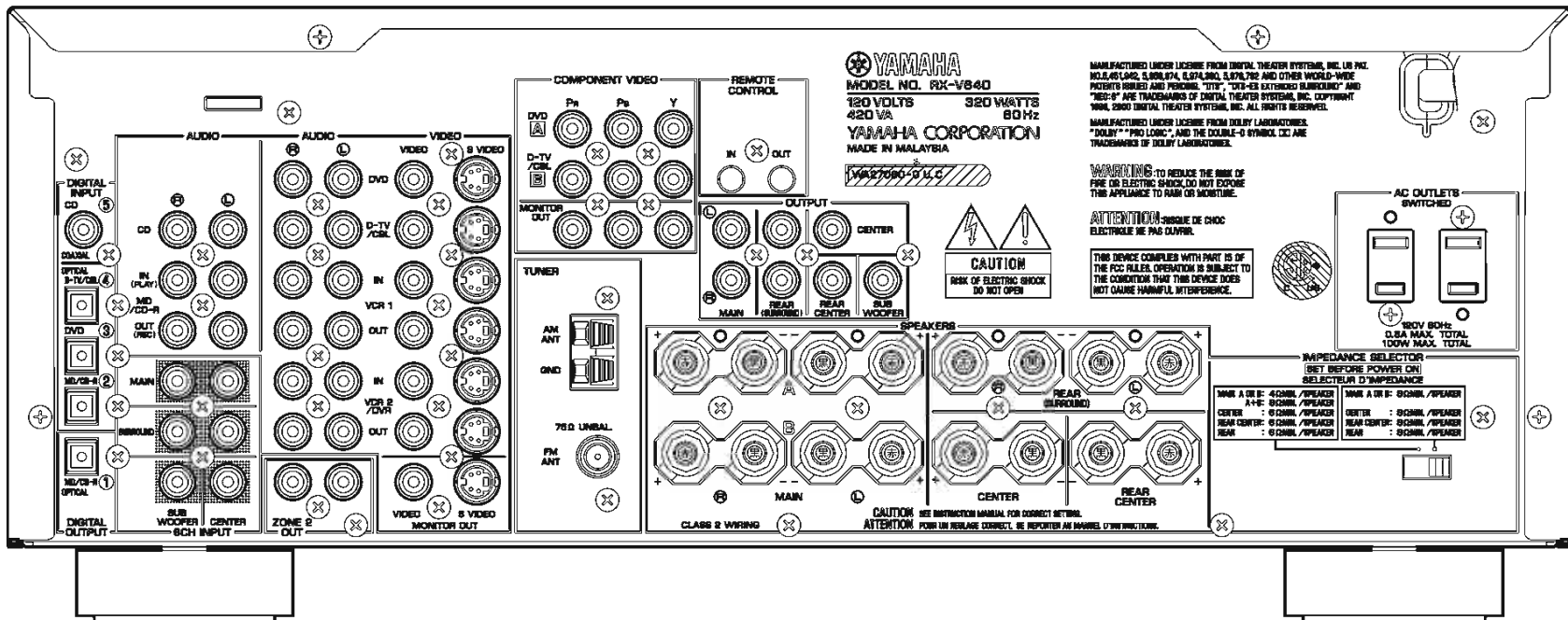
RX-V740/RX-V740RDS/DSP-AX740  
 RX-V640/RX-V640RDS/HTR-5660/DSP-AX640/DSP-AX640SE

RX-V740/RX-V740RDS/DSP-AX740  
 RX-V640/RX-V640RDS/HTR-5660/DSP-AX640/DSP-AX640SE

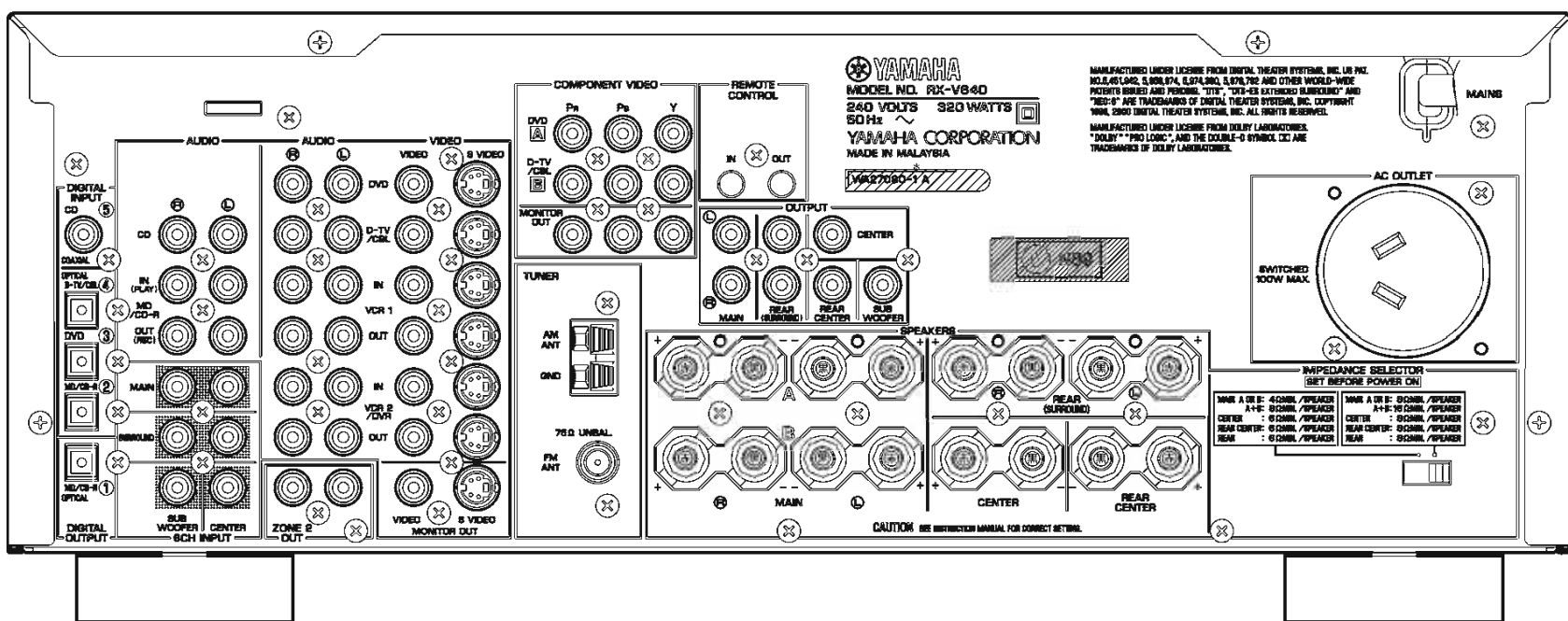
DSP-AX740 (J model)



RX-V640 (U, C models)

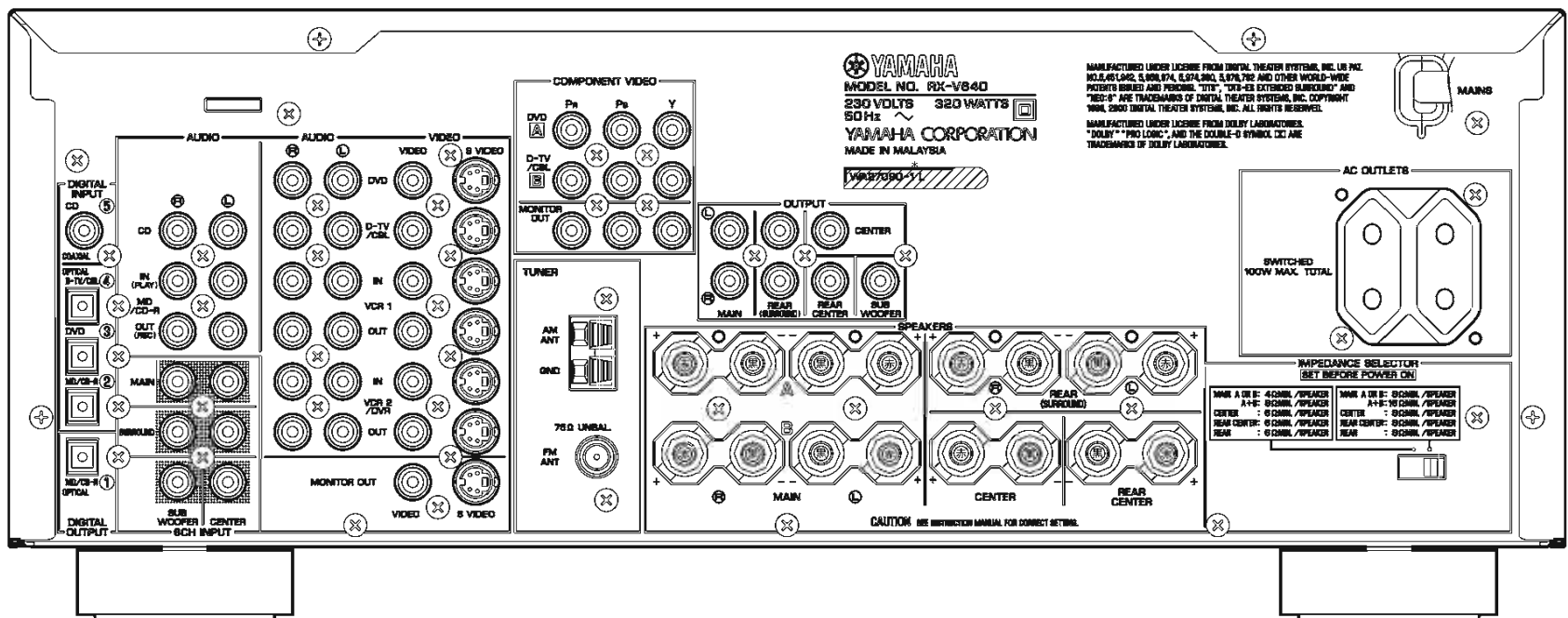


RX-V640 (A model)



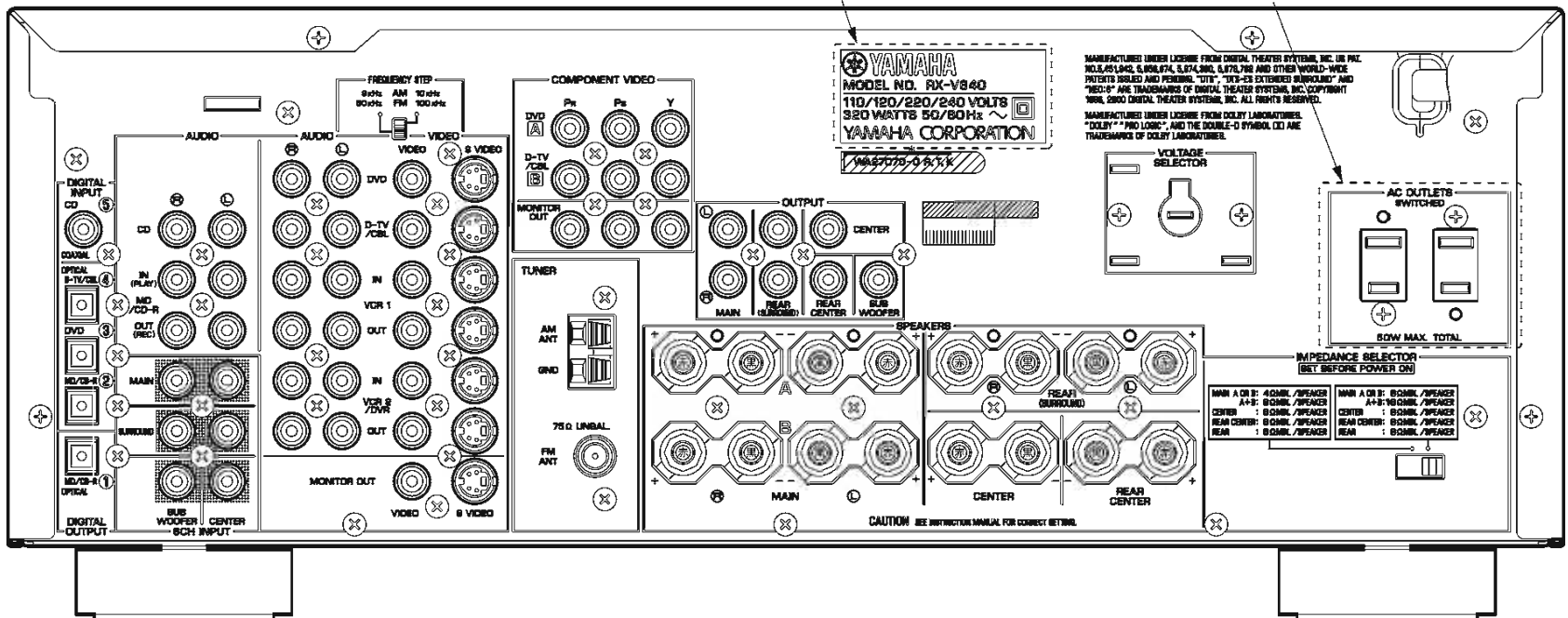
RX-V740/RX-V740RDS/DSP-AX740  
 RX-V640/RX-V640RDS/HTR-5660/DSP-AX640/DSP-AX640SE

RX-V640 (L model)

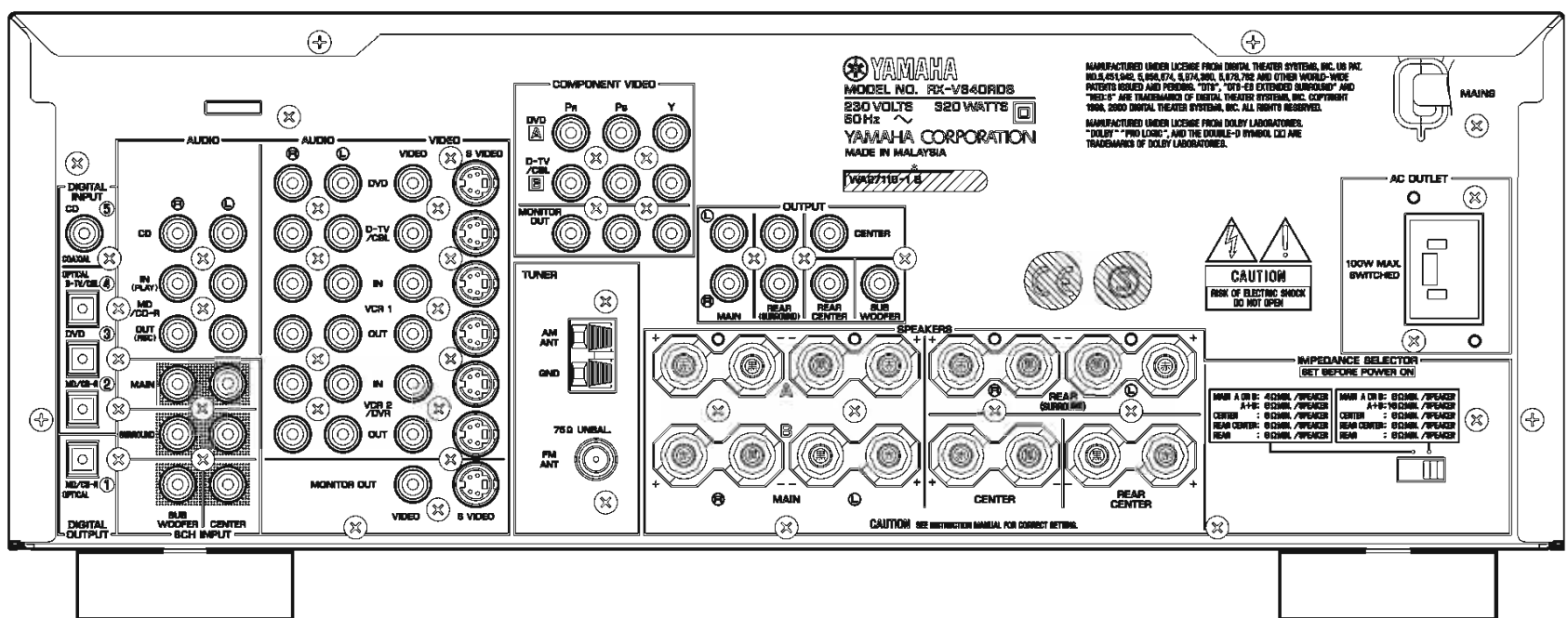


RX-V640 (R, T, K models)

R model AC OUTLETS: R, T models only



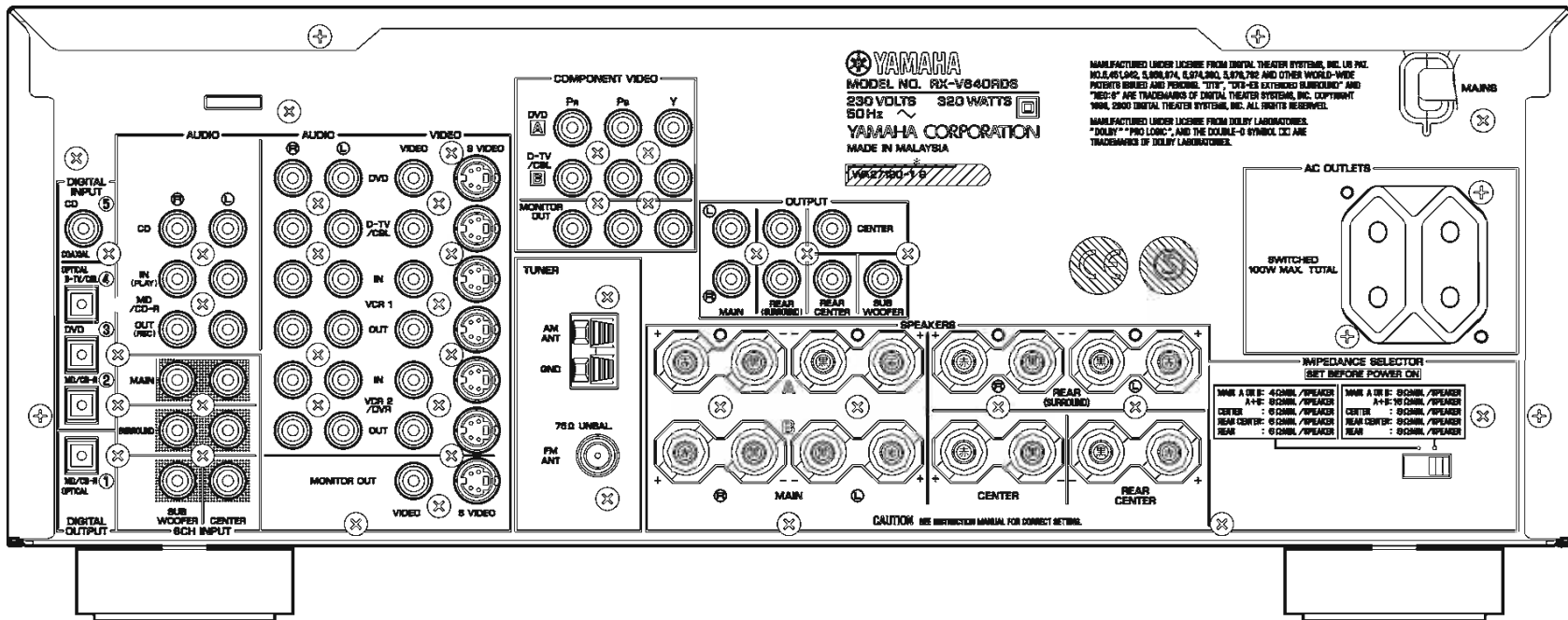
RX-V640RDS (B model)



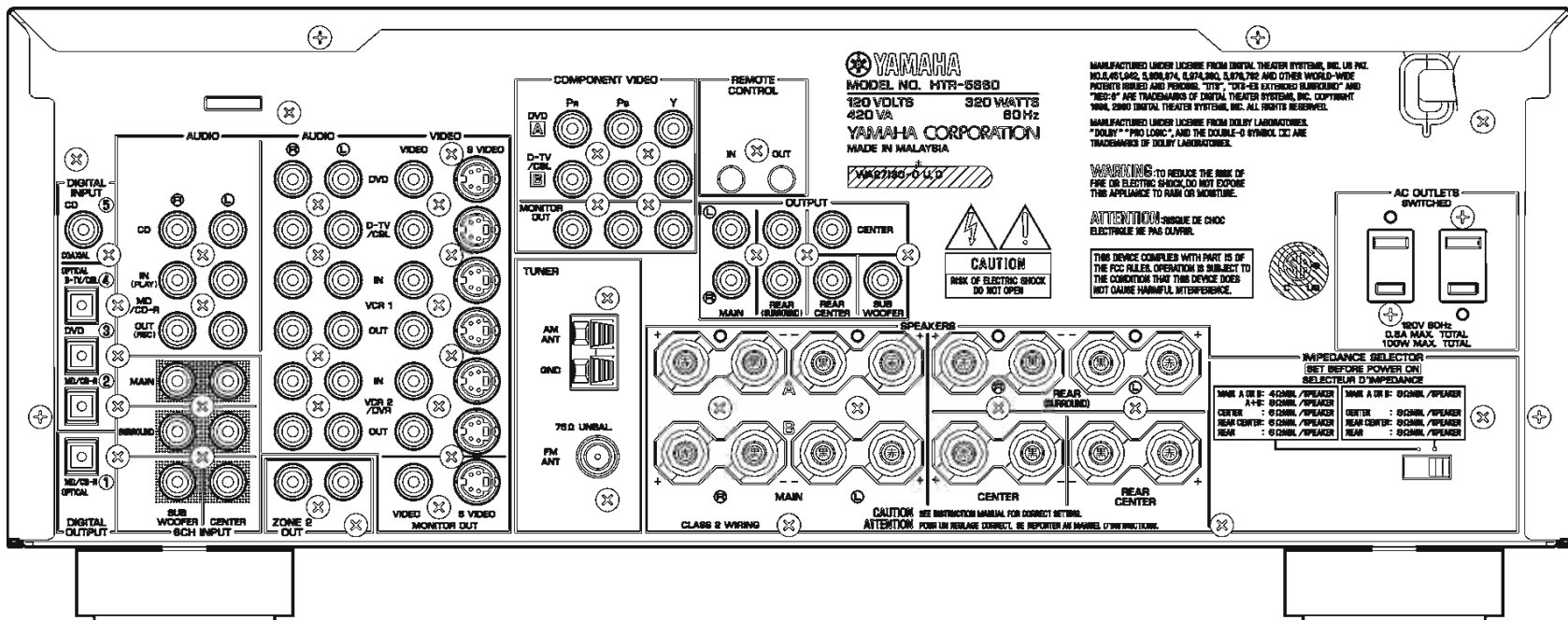
RX-V640/RX-V640RDS/HTR-5660/DSP-AX640/DSP-AX640SE  
 RX-V740/RX-V740RDS/DSP-AX740

RX-V740/RX-V740RDS/DSP-AX740  
 RX-V640/RX-V640RDS/HTR-5660/DSP-AX640/DSP-AX640SE

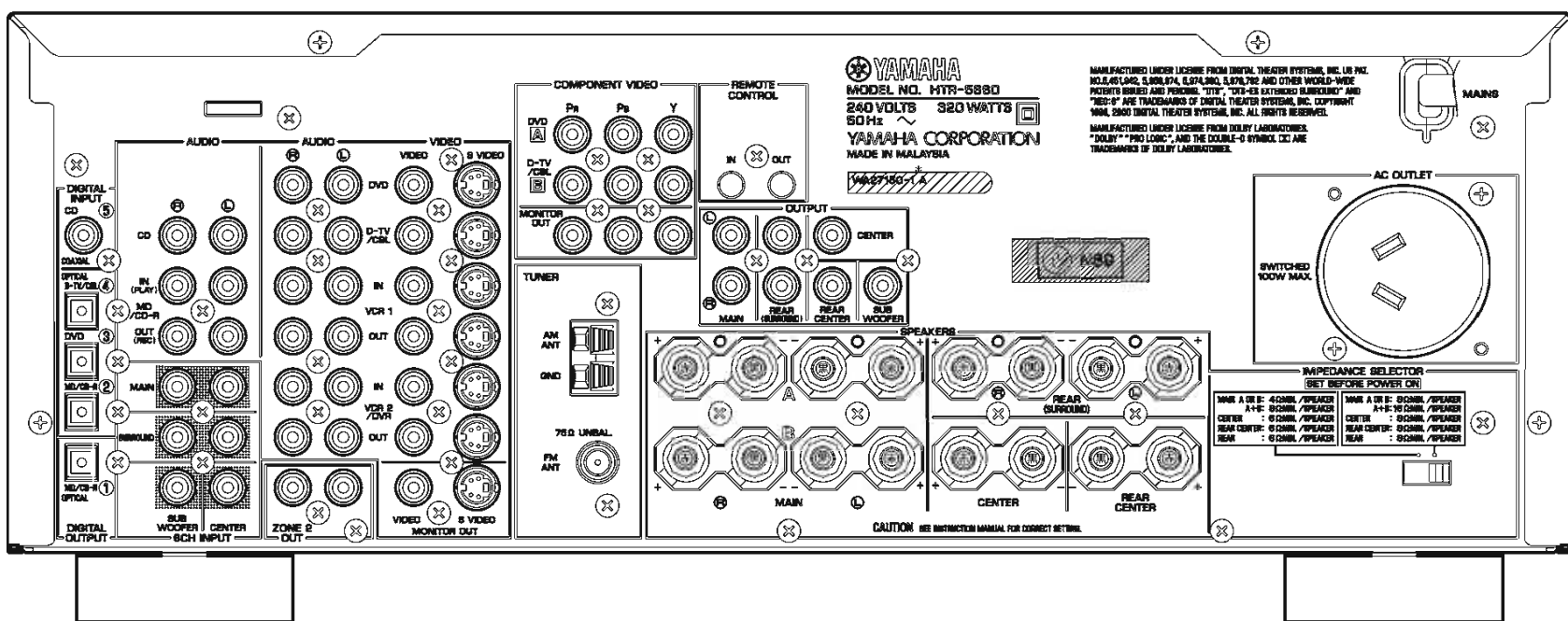
RX-V640RDS (G model)



HTR-5660 (U, C models)



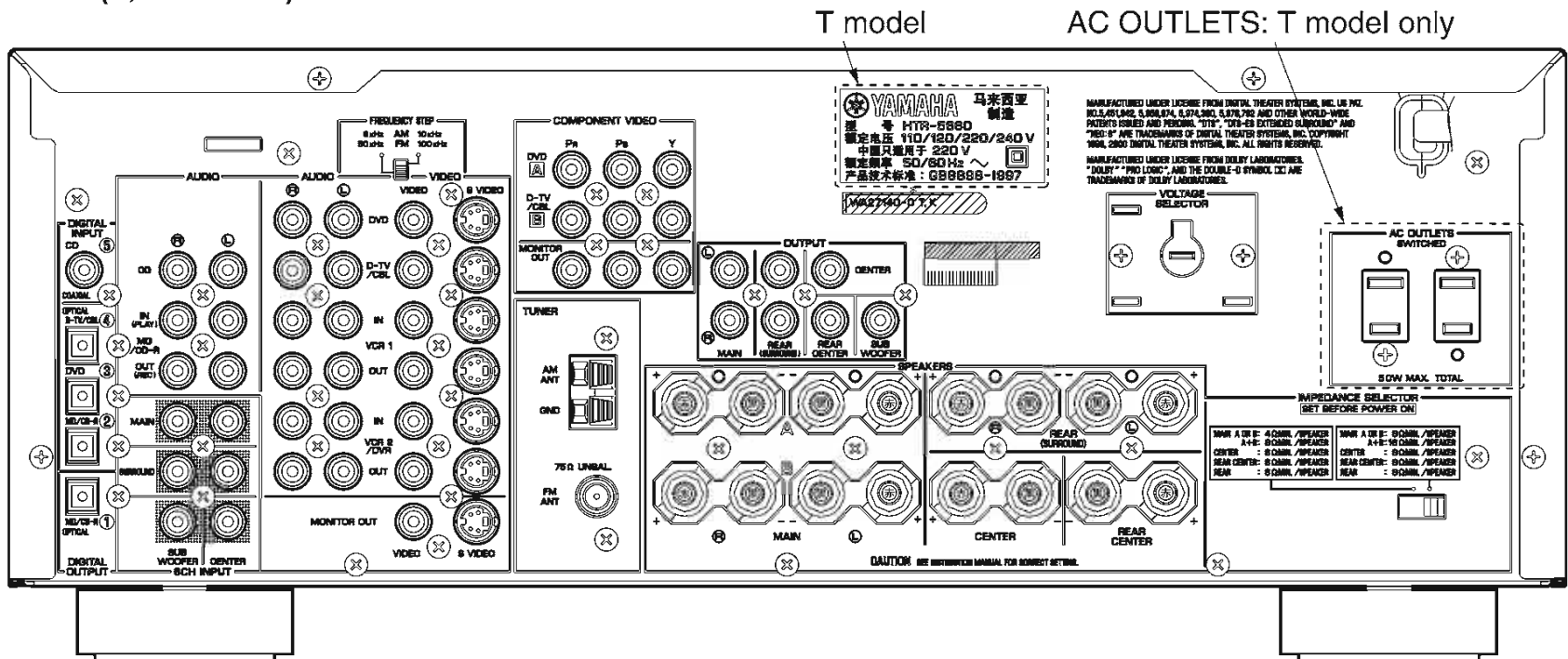
HTR-5660 (A model)



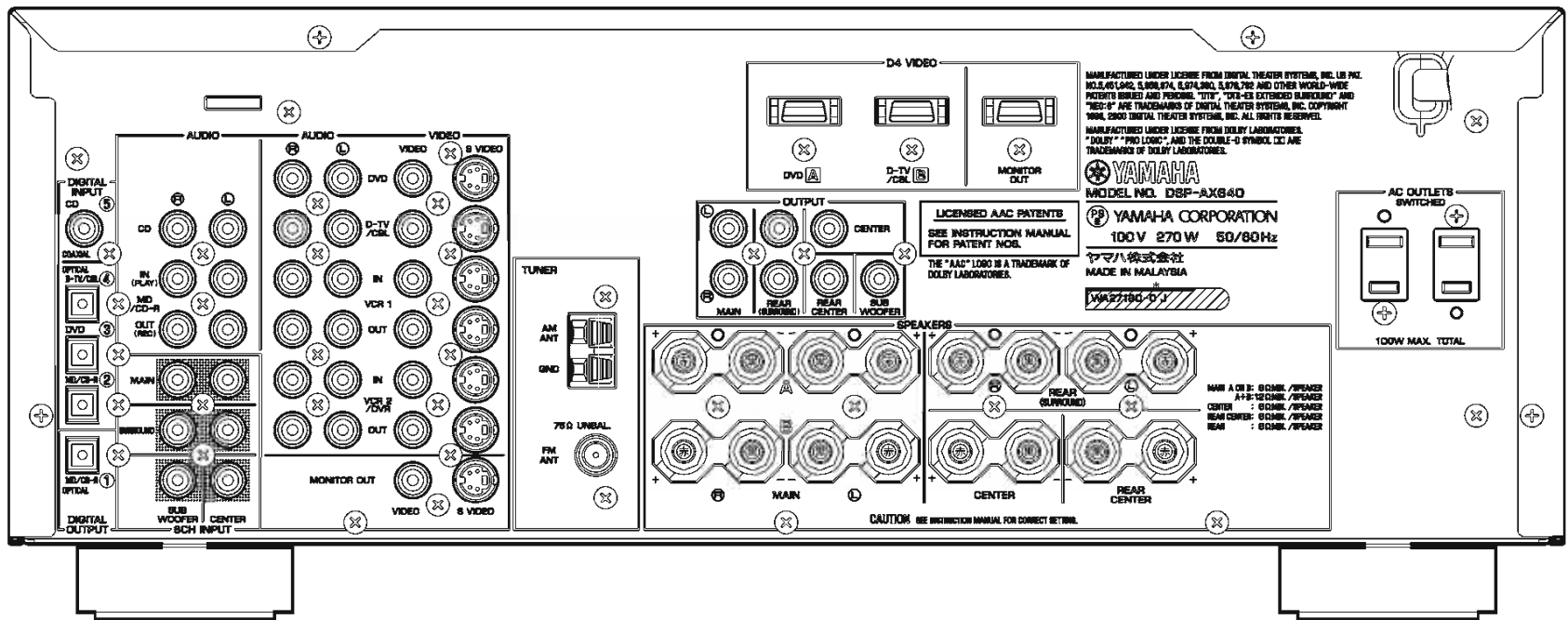
RX-V740/RX-V740RDS/DSP-AX740  
 RX-V640/RX-V640RDS/HTR-5660/DSP-AX640/DSP-AX640SE



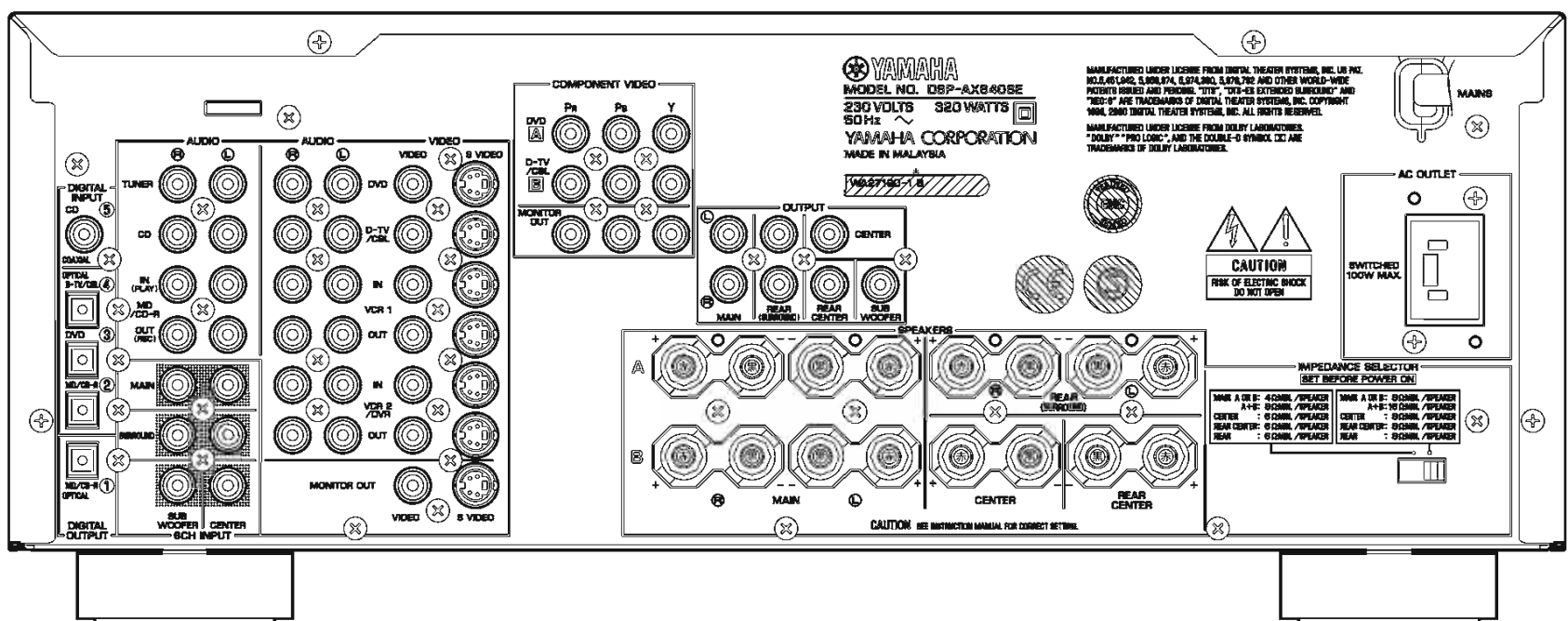
HTR-5660 (T, K models)



DSP-AX640 (J model)



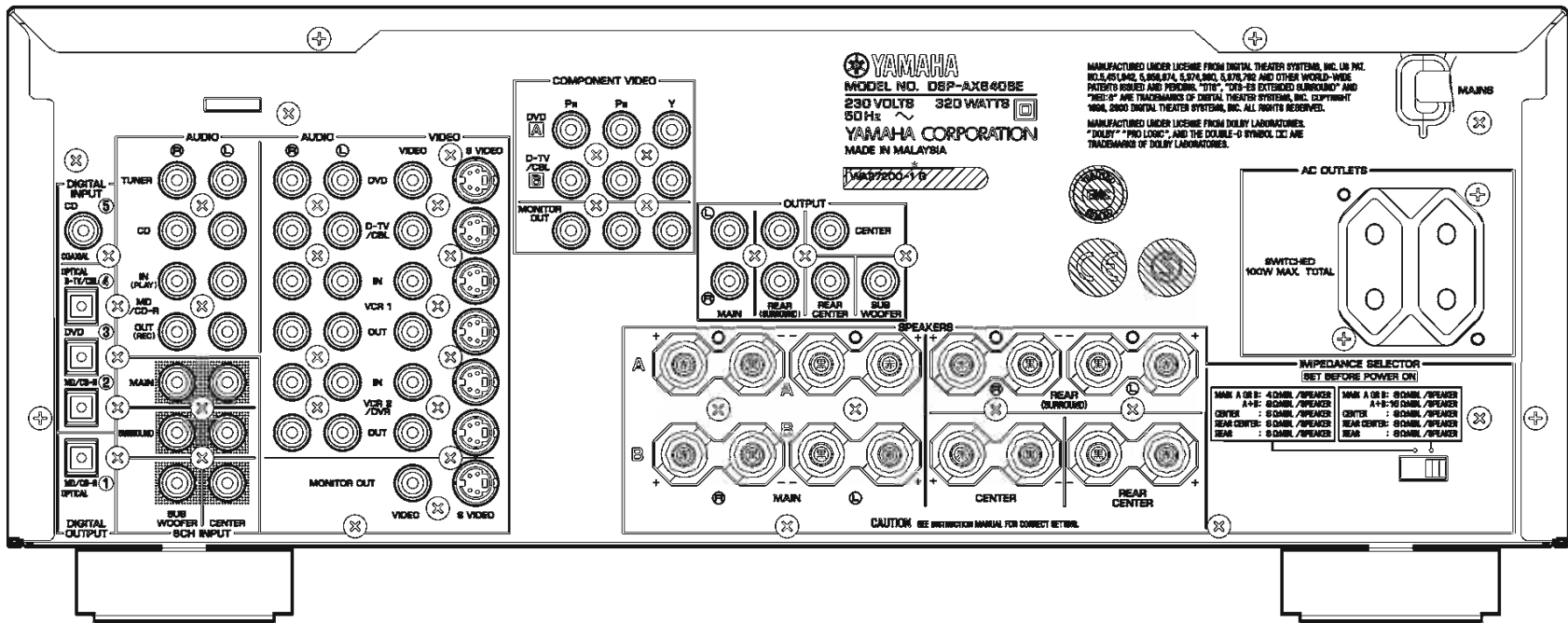
DSP-AX640SE (B model)



RX-V740/RX-V740RDS/DSP-AX740  
 RX-V640/RX-V640RDS/HTR-5660/DSP-AX640/DSP-AX640SE

RX-V740/RX-V740RDS/DSP-AX740  
 RX-V640/RX-V640RDS/HTR-5660/DSP-AX640/DSP-AX640SE

DSP-AX640SE (G model)

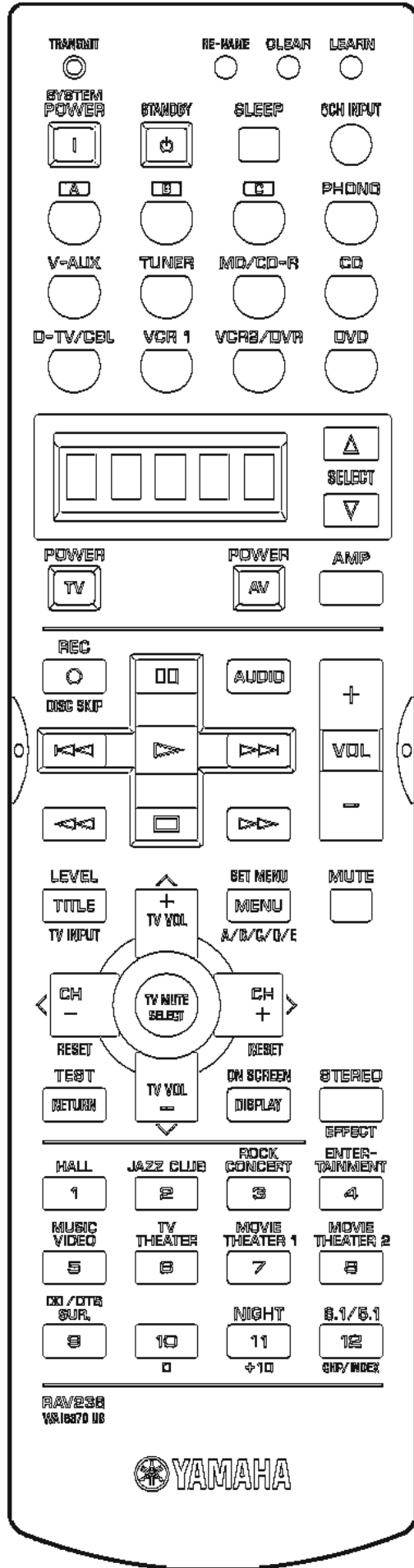


RX-V740/RX-V740RDS/DSP-AX740  
 RX-V640/RX-V640RDS/HTR-5660/DSP-AX640/DSP-AX640SE

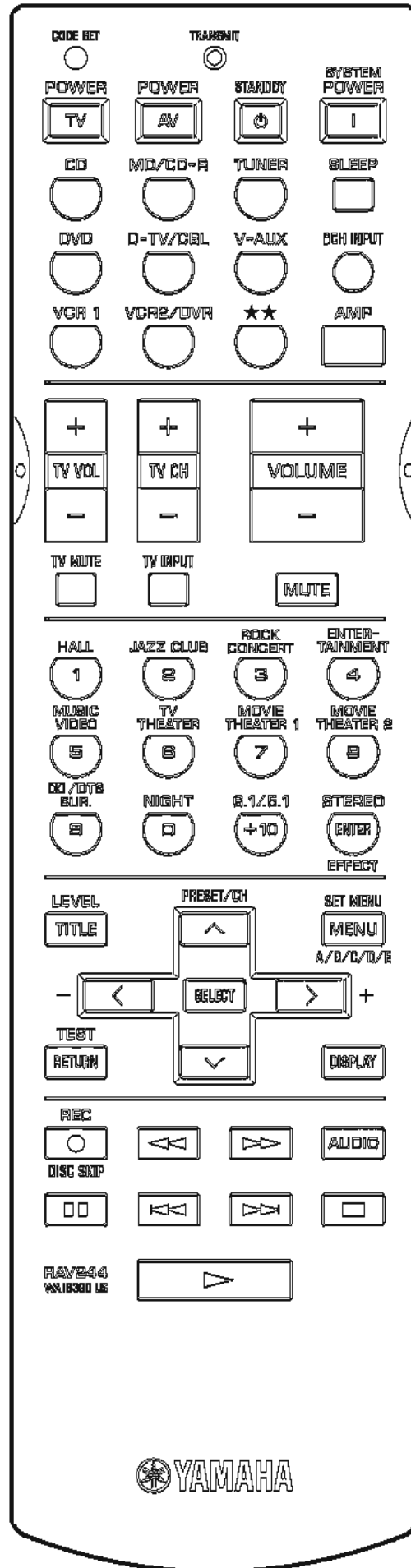


## ■ REMOTE CONTROL PANELS

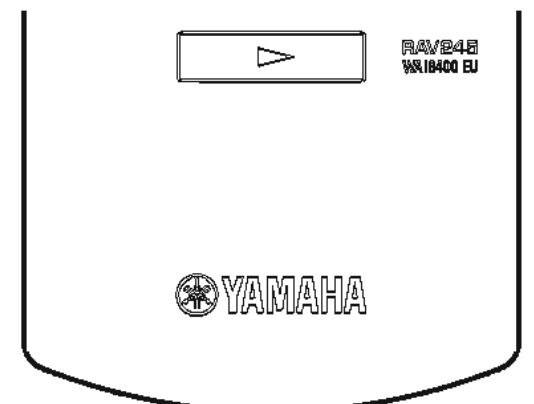
RX-V740 (U, C, A, L, R, T, K models)  
 DSP-AX740 (J model)



RX-V640 (U, C, A, L, R, T, K models)  
 HTR-5660 (U, C, A, T, K models)  
 DSP-AX640 (J model)



RX-V640RDS (B, G models)  
 DSP-AX640SE (B, G models)



RX-V740RDS (B, G models)



RX-V740/RX-V740RDS/DSP-AX740  
 RX-V640/RX-V640RDS/HTR-5660/DSP-AX640/DSP-AX640SE

## ■ SPECIFICATIONS / 参考仕様

### ■ Audio Section / オーディオ部

#### Minimum RMS Output Power (Power Amp. Section) / 定格出力 (パワーアンプ部)

##### [RX-V740/RX-V740RDS/DSP-AX740]

(20 Hz to 20 kHz)

MAIN L/R  
 U, C models (0.06% THD, 8 ohms) ..... (FTC) 90W + 90W  
 A, B, G, L, R, T, K models (0.06% THD, 8 ohms) ... 90W + 90W  
 J model (0.06% THD, 6 ohms) ..... 90W + 90W

CENTER, REAR CENTER  
 U, C models (0.06% THD, 8 ohms) ..... (FTC) 90W + 90W  
 A, B, G, L, R, T, K models (0.06% THD, 8 ohms) ... 90W + 90W  
 J model (0.06% THD, 6 ohms) ..... 90W + 90W

REAR L/R  
 U, C models (0.06% THD, 8 ohms) ..... (FTC) 90W + 90W  
 A, B, G, L, R, T, K models (0.06% THD, 8 ohms) ... 90W + 90W  
 J model (0.06% THD, 6 ohms) ..... 90W + 90W

(1 kHz)

MAIN L/R  
 U, C models (0.7% THD, 8 ohms) ..... (FTC) 110W + 110W  
 A, B, G, L, R, T, K models (0.7% THD, 8 ohms) ... 110W + 110W

CENTER, REAR CENTER  
 U, C models (0.7% THD, 8 ohms) ..... (FTC) 110W + 110W  
 A, B, G, L, R, T, K models (0.7% THD, 8 ohms) ... 110W + 110W

REAR L/R  
 U, C models (0.7% THD, 8 ohms) ..... (FTC) 110W + 110W  
 A, B, G, L, R, T, K models (0.7% THD, 8 ohms) ... 110W + 110W

##### [RX-V640/RX-V640RDS/HTR-5660/DSP-AX640/DSP-AX640SE]

(20 Hz to 20 kHz)

MAIN L/R  
 U, C models (0.06% THD, 8 ohms) ..... (FTC) 85W + 85W  
 A, B, G, L, R, T, K models (0.06% THD, 8 ohms) ... 85W + 85W  
 J model (0.06% THD, 6 ohms) ..... 85W + 85W

CENTER, REAR CENTER  
 U, C models (0.06% THD, 8 ohms) ..... (FTC) 85W + 85W  
 A, B, G, L, R, T, K models (0.06% THD, 8 ohms) ... 85W + 85W  
 J model (0.06% THD, 6 ohms) ..... 85W + 85W

REAR L/R  
 U, C models (0.06% THD, 8 ohms) ..... (FTC) 85W + 85W  
 A, B, G, L, R, T, K models (0.06% THD, 8 ohms) ... 85W + 85W  
 J model (0.06% THD, 6 ohms) ..... 85W + 85W

(1 kHz)

MAIN L/R  
 U, C models (0.7% THD, 8 ohms) ..... (FTC) 105W + 105W  
 A, B, G, L, R, T, K models (0.7% THD, 8 ohms) ... 105W + 105W

CENTER, REAR CENTER  
 U, C models (0.7% THD, 8 ohms) ..... (FTC) 105W + 105W  
 A, B, G, L, R, T, K models (0.7% THD, 8 ohms) ... 105W + 105W

REAR L/R  
 U, C models (0.7% THD, 8 ohms) ..... (FTC) 105W + 105W  
 A, B, G, L, R, T, K models (0.7% THD, 8 ohms) ... 105W + 105W

#### Maximum Power / 実用最大出力 (EIAJ, 1kHz, 10% THD)

##### [RX-V740/RX-V740RDS/DSP-AX740]

MAIN L/R  
 R, T, K models (8 ohms) ..... 130W + 130W  
 J model (6 ohms) ..... 140W + 140W

CENTER, REAR CENTER  
 R, T, K models (8 ohms) ..... 130W + 130W  
 J model (6 ohms) ..... 140W + 140W

REAR L/R  
 R, T, K models (8 ohms) ..... 130W + 130W  
 J model (6 ohms) ..... 140W + 140W

##### [RX-V640/RX-V640RDS/HTR-5660/DSP-AX640/DSP-AX640SE]

MAIN L/R  
 R, T, K models (8 ohms) ..... 125W + 125W  
 J model (6 ohms) ..... 135W + 135W

CENTER, REAR CENTER  
 R, T, K models (8 ohms) ..... 125W + 125W  
 J model (6 ohms) ..... 135W + 135W

REAR L/R  
 R, T, K models (8 ohms) ..... 125W + 125W  
 J model (6 ohms) ..... 135W + 135W

#### DIN Standard Output Power Per Channel / DINパワー [B, G, L models]

##### [RX-V740/RX-V740RDS/DSP-AX740]

(1 kHz, 0.7% THD, 4 ohms)

MAIN L/R ..... 140W + 140W  
 CENTER, REAR CENTER ..... 140W + 140W  
 REAR L/R ..... 140W + 140W

##### [RX-V640/RX-V640RDS/HTR-5660/DSP-AX640/DSP-AX640SE]

(1 kHz, 0.7% THD, 4 ohms)

MAIN L/R ..... 135W + 135W  
 CENTER, REAR CENTER ..... 135W + 135W  
 REAR L/R ..... 135W + 135W

#### IEC Power / IECパワー [B, G, L models]

##### [RX-V740/RX-V740RDS/DSP-AX740]

1 kHz, 0.06% THD, 8 ohms ..... 105W + 105W

##### [RX-V640/RX-V640RDS/HTR-5660/DSP-AX640/DSP-AX640SE]

1 kHz, 0.06% THD, 8 ohms ..... 100W + 100W

#### Dynamic Power Per Channel / ダイナミックパワー (IHF)

##### [RX-V740/RX-V740RDS/DSP-AX740]

U, C models (8/6/4/2 ohms) ..... 130/160/190/235W  
 A, B, G, L, R, T, K models (8/6/4/2 ohms) ..... 120/145/185/230W  
 J model (8/6/4/2 ohms) ..... -/130/160/205W

##### [RX-V640/RX-V640RDS/HTR-5660/DSP-AX640/DSP-AX640SE]

U, C models (8/6/4/2 ohms) ..... 125/155/185/230W  
 A, B, G, L, R, T, K models (8/6/4/2 ohms) ..... 115/140/180/225W  
 J model (6/4/2 ohms) ..... -/125/155/200W

#### Dynamic Headroom / ダイナミックヘッドルーム

##### [RX-V740/RX-V740RDS/DSP-AX740]

U, C models (8 ohms) ..... 1.60 dB

##### [RX-V640/RX-V640RDS/HTR-5660/DSP-AX640/DSP-AX640SE]

U, C models (8 ohms) ..... 1.67 dB

#### Damping Factor / ダンピングファクタ

20 Hz to 20 kHz, SPEAKER-A, 8 ohms ..... 100 or more

#### Input Sensitivity / Input Impedance (入力感度/入力インピーダンス)

PHONO (MM)(RX-V740/RX-V740RDS/DSP-AX740)  
 ..... 2.5 mV / 47 k-ohms

CD, etc. .... 150 mV / 47 k-ohms

EXT. DECODER  
 MAIN L/R, CENTER, SURROUND L/R, SUB WOOFER  
 ..... 150 mV / 47 k-ohms

#### Maximum Input Signal Level / 最大許容入力

PHONO (MM) (1 kHz, 0.1% THD) ..... 50 mV or more  
 CD, etc. (1 kHz, 0.5% THD, Effect On) ..... 2.2 V or more

#### Output Level / Output Impedance (出力電圧/出力インピーダンス)

REC OUT ..... 150 mV / 1.2 k-ohms  
 PRE OUT ..... 2.4 V / 1.2 k-ohms  
 SUB WOOFER (Stereo & MAIN SP: Small) ..... 4 V / 1.2 k-ohms  
 ZONE 2 OUT ..... 150 mV / 1.5 k-ohms

#### Headphone Jack Rated Output / Impedance (ヘッドフォン出力/出力インピーダンス)

CD, etc. (1 kHz, 35 mV, 8 ohms) ..... 150 mV / 100 ohms

#### Frequency Response / 周波数特性

CD, etc. to MAIN L/R (10 Hz to 100 kHz) ..... +0/-3.0dB

#### Total Harmonic Distortion / 全高調波歪率 (20Hz to 20kHz)

PHONO (MM) to REC OUT (1V)  
 (RX-V740/RX-V740RDS/DSP-AX740) ..... 0.02% or less  
 CD, etc. (Effect Off) to MAIN L/R SP OUT (45W, 8 ohms) ... 0.06% or less

#### RIAA Equalization Deviation / RIAA偏差

PHONO (MM) ..... 0±0.5dB

#### Signal to Noise Ratio / 信号対雑音比 (IHF-A network)

PHONO (MM) (Input shorted) to REC OUT  
 (RX-V740/RX-V740RDS/DSP-AX740)  
 U, C, R, T, K models (5mV) ..... 86dB or more  
 A, B, G, L models (5mV) ..... 81dB or more  
 J model (2.5mV) ..... 80dB or more

CD, etc. (Input shorted, EFFECT OFF) to MAIN L/R  
 250mV ..... 100dB or more

#### Residual Noise / 残留ノイズ (IHF-A network)

MAIN L/R SP OUT ..... 150µV or less

#### Channel Separation / チャンネルセパレーション

(Vol -30 dB, Effect Off)  
 PHONO (Input shorted, 1 kHz/10 kHz)  
 (RX-V740/RX-V740RDS/DSP-AX740) 60 dB or more/55 dB or more  
 CD, etc. (Input 5.1 k-ohms shorted, 1 kHz/10 kHz)  
 ..... 60 dB or more/45 dB or more

#### Tone Control Characteristics / トーンコントロール特性

BASS  
 Boost/Cut ..... ±10dB (50Hz)  
 Turnover Frequency ..... 350Hz

TREBLE  
 Boost/Cut ..... ±10dB (20kHz)  
 Turnover Frequency ..... 3.5kHz

#### Filter Characteristics / フィルター特性

MAIN, REAR L/R SP Small (H.P.F.) ..... 90Hz / 12dB oct.  
 SUBWOOFER (L.P.F.) ..... 90Hz / 18dB oct.

■ Video Section / ビデオ部

<b>Video Signal Type / ビデオ信号方式</b>	
U, C, J models .....	NTSC
A, B, G, L models .....	PAL
R, T, K models .....	NTSC or PAL
<b>Video Signal Level / ビデオ信号</b>	
.....	1 Vp-p / 75 ohms
<b>S-Video Signal Level / Sビデオ信号</b>	
Y .....	1 Vp-p / 75 ohms
C .....	0.286 Vp-p / 75 ohms
<b>Component Signal Level / コンポーネントビデオ信号</b>	
Y .....	1 Vp-p / 75 ohms
Cb/Cr .....	0.7 Vp-p / 75 ohms
<b>Maximum Input Level / 最大許容入力</b>	
.....	1.5 Vp-p
<b>Signal to Noise Ratio / 信号対雑音比</b>	
.....	50 dB or more
<b>Monitor Out Frequency Response / モニターアウト周波数帯域</b>	
Video Signal Level, S-Video Signal Level ...	5 Hz to 10 MHz, -3 dB
Component Video Signal Level [U, C, A, B, G, L, R, T, K models]	5 Hz to 30 MHz, -3 dB
D4-Video Signal Level [J model] .....	DC to 60 MHz, -3 dB

■ FM Section / FM部 (except DSP-AX640SE)

<b>Tuning Range</b>	
U, C models .....	87.5 to 107.9 MHz
A, B, G, L models .....	87.5 to 108.0 MHz
R, T, K models .....	87.5 to 108.0 / 87.50 to 108.00 MHz
J model .....	76.0 to 90.0 MHz
<b>50dB Quieting Sensitivity / 50dB SN感度 (IHF)</b>	
(1kHz, 100% Mod.)	
Mono .....	2.0 μV (17.3 dBf)
Stereo .....	25 μV (39.2 dBf)
<b>Usable Sensitivity / 実用感度 (IHF)</b>	
Mono .....	1.0 μV (11.2 dBf)
<b>Selectivity / 選択度</b>	
at 400 kHz .....	70 dB
<b>Signal to Noise Ratio / 信号対雑音比 (IHF)</b>	
Mono / Stereo .....	76 dB / 70 dB
<b>Harmonic Distortion / 歪率</b>	
(1 kHz)	
Mono/Stereo .....	0.2 / 0.3 %
<b>Stereo Separation / ステレオセパレーション</b>	
1 kHz .....	42 dB
<b>Frequency Response / 周波数特性</b>	
20 Hz to 15 kHz .....	+0.5 / -2 dB
<b>Antenna Input / アンテナ入力</b>	
.....	75 ohms unbalanced

■ AM Section / AM部 (except DSP-AX640SE)

<b>Tuning Range / 受信周波数範囲</b>	
U, C models .....	530 to 1,710 kHz
A, B, G, L, K, J models .....	531 to 1,611 kHz
R, T models .....	530 to 1,710 / 531 to 1,611 kHz
<b>Usable Sensitivity / 実用感度</b>	
.....	300 μV/m
<b>Antenna / アンテナ入力</b>	
.....	Loop Antenna

■ General / 総合

<b>Power Supply / 電源電圧</b>	
U, C models .....	AC 120 V, 60 Hz
A model .....	AC 240 V, 50 Hz
B, G, L models .....	AC 230 V, 50 Hz
R model .....	AC 110/120/220/240 V, 50/60 Hz
T model .....	AC 220 V, 50 Hz
K model .....	AC 220 V, 60 Hz
J model .....	AC 100V, 50/60 Hz
<b>Power Consumption / 消費電力</b>	
U, C models .....	320 W / 420 VA
A, B, G, L, R, T, K models .....	320 W
J model .....	270 W
<b>Standby Power Consumption (reference data) / 待機電力(参考値)</b>	
U, C models .....	0.9 W
A, B, G, L models .....	0.9 W
R, T, K models .....	0.7 W
J model .....	0.8 W

**Maximum Power Consumption**

(6ch Drive, 10% THD)  
R model ..... 750 W

**AC Outlets / ACアウトレット**

2 switched outlets  
U, C, G, L, J models ..... 100 W max. total  
R, T models ..... 50 W max. total  
1 switched outlet  
A, B models ..... 100W max.

**Dimensions / 寸法 (W x H x D)**

..... 435 x 171 x 390 mm (17-1/8" x 6-3/4" x 15-3/8")

**Weight / 重量**

..... 13.0 kg (28 lbs. 11 oz.)

**Finish / 仕上げ**

RX-V740 ..... Gold color (L, R, T, K) models  
Black color (U, C, A, R) models  
RX-V640 ..... Gold color (L, R, T, K) models  
Black color (U, C, A, R) models  
RX-V740RDS ..... Black color (B, G) models  
Titanium color (B, G) models  
RX-V640RDS ..... Gold color (G) model  
Black color (B, G) models  
Titanium color (B, G) models  
HTR-5660 ..... Gold color (T, K) models  
Black color (U, C, A) models  
DSP-AX740/DSP-AX640 ..... Gold color (J) model  
DSP-AX640SE ..... Black color (B, G) models  
Titanium color (B, G) models

**Accessories / 付属品**

Remote Control, Batteries (Manganese Dry), Indoor FM Antenna, AM Loop Antenna, PAL 75/300 Socket [B model]

\* Specifications are subject to change without notice due to product improvements.

※ 参考仕様および外観は予告なく変更されることがあります。

U .....	U.S.A. model	C .....	Canadian model
A .....	Australian model	B .....	British model
G .....	European model	L .....	Singapore model
R .....	General model	T .....	Chinese model
K .....	Korean model	J .....	Japanese model



Manufactured under license from Dolby Laboratories. "Dolby", "Pro Logic" and the double-D symbol are trademarks of Dolby Laboratories.

ドルビーラボラトリーズからの実施権に基づき製造されています。ドルビー、DOLBY、ドルビーデジタル、PRO LOGICおよびダブルD記号は、ドルビーラボラトリーズの商標です。



"DTS", "DTS-ES Extended Surround" and "Neo: 6" are trademarks of Digital Theater Systems, Inc.

DTS、DTS-ES ExtendedサラウンドおよびNeo:6はデジタルシアターシステムズの登録商標です。



AACロゴマークはドルビーラボラトリーズの商標です。

"SILENT" is a trademark of YAMAHA CORPORATION. 「サイレント/SILENT」はヤマハ株式会社の登録商標です。

• Set Menu Table / セットメニュー

Category	Model	RX-V740/RX-V740RDS/DSP-AX740		RX-V640/RX-V640RDS/HTR-5660/DSP-AX640/DSP-AX640SE			
	No.	MAIN MENU	SUB MENU	VALUE [INITIAL]	SUB MENU	VALUE [INITIAL]	
BASIC	1	SETUP	ROOM : S >M L	S/[M]/L	ROOM : S >M L	S/[M]/L	
			SUBWOOFER YES	[YES]/NONE	SUBWOOFER YES	[YES]/NONE	
			SPEAKERS 6spk	2/3/4/5/[6]	SPEAKERS 6spk	2/3/4/5/[6]	
			>SET CANCEL	[SET]/CANCEL	>SET CANCEL	[SET]/CANCEL	
			Check : Test Tone		Check : Test Tone		
			Check OK? Yes	[Yes]/No	Check OK? Yes	[Yes]/No	
	2	SP LEVEL	L -----  ----- R	[Center] ±10step	L -----  ----- R	[Center] ±10step	
			C -----  -----	[Center] ±10step	C -----  -----	[Center] ±10step	
			RL -----  -----	[Center] ±10step	RL -----  -----	[Center] ±10step	
			RC -----  -----	[Center] ±10step	RC -----  -----	[Center] ±10step	
			RR -----  -----	[Center] ±10step	RR -----  -----	[Center] ±10step	
SWFR -----			[0dB] -40step	SWFR -----	[0dB] -40step		
SOUND	1	SPEAKER SET	1A CENTER SML	LRG/[SML]/NON	1A CENTER SML	LRG/[SML]/NON	
			1B MAIN LARGE	[LARGE]/SMALL	1B MAIN LARGE	[LARGE]/SMALL	
			1C REAR LR SML	LRG/[SML]/NON	1C REAR LR SML	LRG/[SML]/NON	
			1D REAR CT SML	LRG/[SML]/NON	1D REAR CT SML	LRG/[SML]/NON	
			1E BASS BOTH	MAIN/[BOTH]	1E BASS BOTH	MAIN/[BOTH]	
	2	SP DISTANCE	UNIT	meters(m)/feet(ft)	UNIT	meters(m)/feet(ft)	
			MAIN L/R 3.00m	0.3 to 24m [3.00m]/0.1m step	MAIN L/R 3.00m	0.3 to 24m [3.00m]/0.1m step	
			CENTER 3.00m	0.3 to 24m [3.00m]/0.1m step (Effective distance difference 1.5m)	CENTER 3.00m	0.3 to 24m [3.00m]/0.1m step (Effective distance difference 1.5m)	
			REAR LR 3.00m	0.3 to 24m [3.00m]/0.1m step	REAR LR 3.00m	0.3 to 24m [3.00m]/0.1m step	
			REAR CT 2.10m	0.3 to 24m [2.10m]/0.1m step (Effective distance difference 9m)	REAR CT 2.10m	0.3 to 24m [2.10m]/0.1m step (Effective distance difference 9m)	
			MAIN L/R 10.0	1 to 80feet [10.0feet]/0.5feet step	MAIN L/R 10.0	1 to 80feet [10.0feet]/0.5feet step	
			CENTER 10.0	1 to 80feet [10.0feet]/0.5feet step (Effective distance difference 5feet)	CENTER 10.0	1 to 80feet [10.0feet]/0.5feet step (Effective distance difference 5feet)	
			REAR LR 10.0	1 to 80feet [10.0feet]/0.5feet step	REAR LR	1 to 80feet [10.0feet]/0.5feet step	
			REAR CT 7.00	1 to 80feet [7.0feet]/0.5feet step (Effective distance difference 30feet)	REAR CT 7.00	1 to 80feet [7.0feet]/0.5feet step (Effective distance difference 30feet)	
			3	LFE LEVEL	SP LFE 0	-20dB to [0dB]/1dB step	SP LFE 0
	HP LFE 0	-20dB to [0dB]/1dB step			HP LFE 0	-20dB to [0dB]/1dB step	
	4	D. RANGE	SP D.R > MAX	MIN/STD/[MAX]	SP D.R > MAX	MIN/STD/[MAX]	
			HP D.R > MAX	MIN/STD/[MAX]	HP D.R > MAX	MIN/STD/[MAX]	
	5	CENTER GEQ	100Hz -  - 0	-6dB to +6dB [0dB]/1dB step	100Hz -  - 0	-6dB to +6dB [0dB]/1dB step	
			300Hz -  - 0	-6dB to +6dB [0dB]/1dB step	300Hz -  - 0	-6dB to +6dB [0dB]/1dB step	
			1kHz -  - 0	-6dB to +6dB [0dB]/1dB step	1kHz -  - 0	-6dB to +6dB [0dB]/1dB step	
			3kHz -  - 0	-6dB to +6dB [0dB]/1dB step	3kHz -  - 0	-6dB to +6dB [0dB]/1dB step	
			10kHz -  - 0	-6dB to +6dB [0dB]/1dB step	10kHz -  - 0	-6dB to +6dB [0dB]/1dB step	
	6	HP TONE CTRL	HP BASS 0	-6dB to +3dB [0dB]/1dB step	HP BASS 0	-6dB to +3dB [0dB]/1dB step	
			HP TRBL 0	-6dB to +3dB [0dB]/1dB step	HP TRBL 0	-6dB to +3dB [0dB]/1dB step	
	INPUT	1	I/O ASSIGN	1A [A] CV INPUT 1	[DVD]	1A [A] CV INPUT 1	[DVD]
				1A [B] CV INPUT 2	[D-TV/CBL]	1A [B] CV INPUT 2	[D-TV/CBL]
1B (1) OPTICAL OUT 1				[MD/CD-R]	1B (1) OPTICAL OUT 1	[MD/CD-R]	
1C (2) OPTICAL IN 1				[MD/CD-R]	1C (2) OPTICAL IN 1	[MD/CD-R]	
1C (3) OPTICAL IN 2				[DVD]	1C (1) OPTICAL IN 1	[DVD]	
1C (4) OPTICAL IN 3				[D-TV/CBL]	1C (4) OPTICAL IN 3	[D-TV/CBL]	
1D (5) COAXIAL IN 1				[CD]	1D (2) COAXIAL IN 1	[CD]	
2		INPUT MODE	2 >AUTO LAST	[AUTO]/LAST	2 >AUTO LAST	[AUTO]/LAST	
3	INPUT RENAME	DVD→ _ _ DVD _ _ _					
Option	1	DISPLAY SET	1 DIMMER 0	-4 to [0]/1 step	1 DIMMER 0	-4 to [0]/1 step	
			OSD SHIFT	[0] ±5/1 step			
			GRAY BACK	[AUTO]/OFF			
			1 V→S CONV	[ON]/OFF (except RT models)	1 V→S CONV	[ON]/OFF (except RT models)	
	2	MEMORY GUARD	2 M GUARD OFF	[OFF]/ON	2 M GUARD OFF	[OFF]/ON	
	3	AUDIO MUTE	3 MUTE: MUTE	[MUTE]/-50dB/-20dB	3 MUTE: MUTE	[MUTE]/-50dB/-20dB	
	4	ZONE SET	4 SP B: MAIN	[MAIN]/ZONE B	4 SP B: MAIN	[MAIN]/ZONE B	
	5	REC OUT(UCA Only)		[SOURCE]/ZONE2		[SOURCE]/ZONE2	
5	DUAL MONO(J Only)		[MAIN]/SUB/ALL		[MAIN]/SUB/ALL		

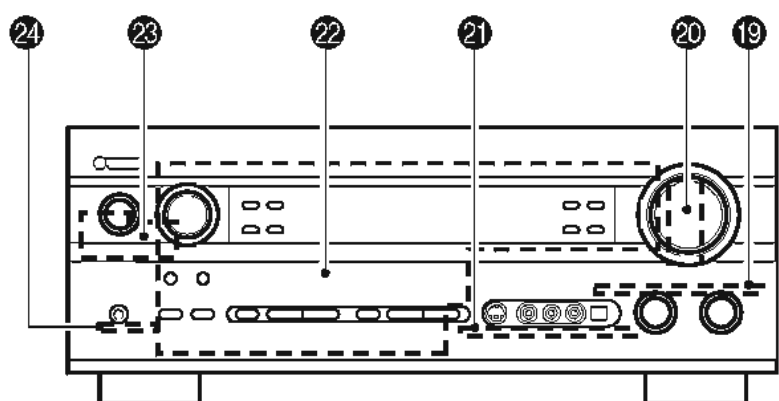
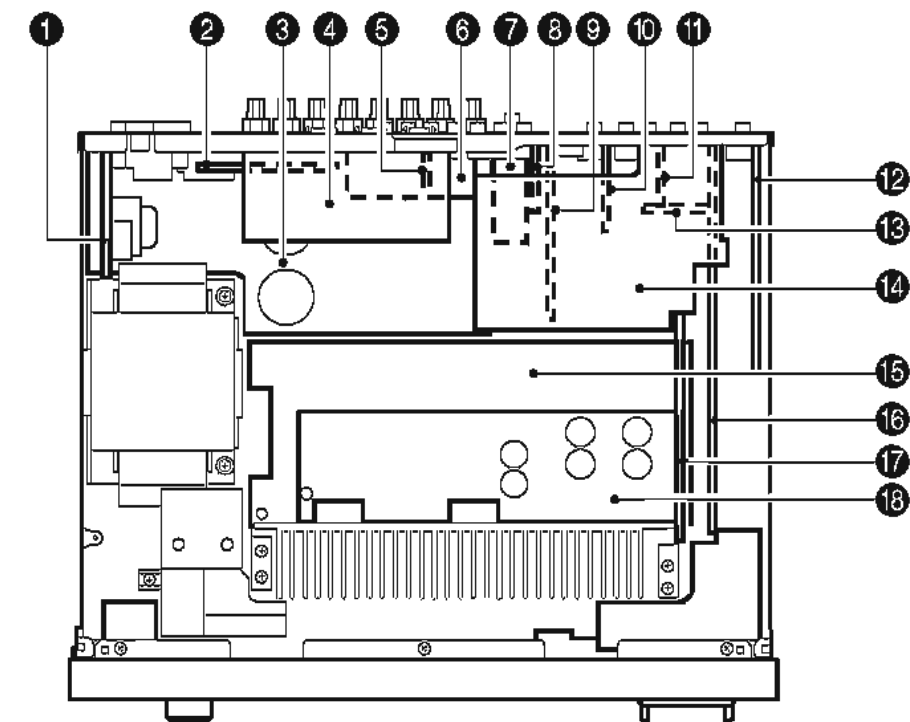
RX-V740/RX-V740RDS/DSP-AX740  
 RX-V640/RX-V640RDS/HTR-5660/DSP-AX640/DSP-AX640SE

• The variable range of the parameter (Min/Max/Step) / パラメーターの可変範囲 (最小/最大/ステップ)

Parameter name	Pro Logic	Pro Logic II Movie	Pro Logic II Music	Neo:6	2ch	DD/dts/AAC	6.1/ES	Unit
DSP LEVEL	-	-	-	-	-6/3/1	-6/3/1	-6/3/1	dB
(P.) INIT. DLY	-	-	-	-	1/99/1	1/99/1	1/99/1	ms
(P.) ROOM SIZE	-	-	-	-	0.1/2.0/0.1	0.1/2.0/0.1	0.1/2.0/0.1	-
(P.) LIVENESS	-	-	-	-	0/10/1	0/10/1	0/10/1	-
S. INIT. DLY	-	-	-	-	1/49/1	1/49/1	1/49/1	ms
S. ROOM SIZE	-	-	-	-	0.1/2.0/0.1	0.1/2.0/0.1	0.1/2.0/0.1	-
S. LIVENESS	-	-	-	-	0/10/1	0/10/1	0/10/1	-
RC. INT. DLY	-	-	-	-	-	-	1/49/1	ms
RC. ROOM SIZE	-	-	-	-	-	-	0.1/2.0/0.1	-
RC. LIVENESS	-	-	-	-	-	-	0/10/1	-
REV. TIME	-	-	-	-	1.0/5.0/0.1	1.0/5.0/0.1	1.0/5.0/0.1	s
REV. DELAY	-	-	-	-	0/250/1	0/250/1	0/250/1	ms
REV. LEVEL	-	-	-	-	0/100/1	0/100/1	0/100/1	%
PANORAMA	-	OFF	OFF/ON	-	-	-	-	-
DIMENSIONS	-	0 (STD)	-3/+3/1	-	-	-	-	-
CT WIDTH	-	0	0/7/1	-	-	-	-	-
C. IMAGE	-	-	-	0/0.5/0.1	-	-	-	-

6ch Stereo Parameter		Unit
CT. LEVEL	0/100/1	%
RL. LEVEL	0/100/1	%
RC. LEVEL	0/100/1	%
RR. LEVEL	0/100/1	%

## INTERNAL VIEW



- ① POWER (2) P.C.B.
- ② POWER (3) P.C.B.  
(R, T, K models only)
- ③ MAIN (2) P.C.B.
- ④ VIDEO P.C.B.  
(J model only)
- ⑤ FUNCTION (8) P.C.B.  
(U, C, A models only)
- ⑥ MAIN (4) P.C.B.
- ⑦ Tuner  
(except DSP-AX640SE)
- ⑧ FUNCTION (7) P.C.B.  
(U, C, A, B, G, L, R, T, K models only)
- ⑨ FUNCTION (5) P.C.B.
- ⑩ FUNCTION (6) P.C.B.
- ⑪ FUNCTION (2) P.C.B.
- ⑫ DSP P.C.B.
- ⑬ FUNCTION (3) P.C.B.
- ⑭ FUNCTION (4) P.C.B.
- ⑮ MAIN (1) P.C.B.
- ⑯ FUNCTION (1) P.C.B.
- ⑰ POWER (1) P.C.B.
- ⑱ MAIN (3) P.C.B.
- ⑲ OPERATION (6) P.C.B.
- ⑳ OPERATION (3) P.C.B.
- ㉑ OPERATION (4) P.C.B.
- ㉒ OPERATION (1) P.C.B.
- ㉓ OPERATION (2) P.C.B.
- ㉔ OPERATION (5) P.C.B.

## ■ DISASSEMBLY PROCEDURES / 分解手順

\* The description below uses RX-V740RDS (G model) as a representative model.

※ 本項目では、代表としてRX-V740RDS (G model)について記述します。

(Remove parts in the order as numbered.)  
 Disconnect the power cable from the AC outlet.

(番号順に部品を取り外してください。)  
 AC電源コンセントから、電源コードを抜いてください。

### 1. Removal of Top Cover

### 1. トップカバーの外し方

- a. Remove 4 screws (①) and 4 screws (②). (Fig. 1)
- b. Slide the Top Cover rearward to remove it. (Fig. 1)

- a. ①のネジ4本、②のネジ4本を外します。(Fig. 1)
- b. トップカバーを後方へスライドさせ、取り外します。(Fig. 1)

### 2. Removal of Front Panel

### 2. フロントパネルの外し方

Remove 6 screws (③) and then remove the Front Panel. (Fig. 1)

③のネジ6本を外し、フロントパネルを取り外します。(Fig. 1)

### 3. Removal of Sub Chassis

### 3. サブシャーシの外し方

- a. Remove 2 push rivets (④) and then remove the Side Plates. (Fig. 1)
- b. Remove 2 screws (⑤) and then remove the Sub Chassis. (Fig. 2)
- c. Loosen the harness fixture fixing the cable.
- d. Remove CB305, 306, 572, 604 and 605. (Fig. 2)

- a. ④のプッシュリベット2本を外し、サイドプレートを取り外します。(Fig. 1)
- b. ⑤のネジ2本を外し、サブシャーシを取り外します。(Fig. 2)
- c. ケーブルを固定している束線止めをゆるめます。
- d. CB305、306、572、604、605を外します。(Fig. 2)

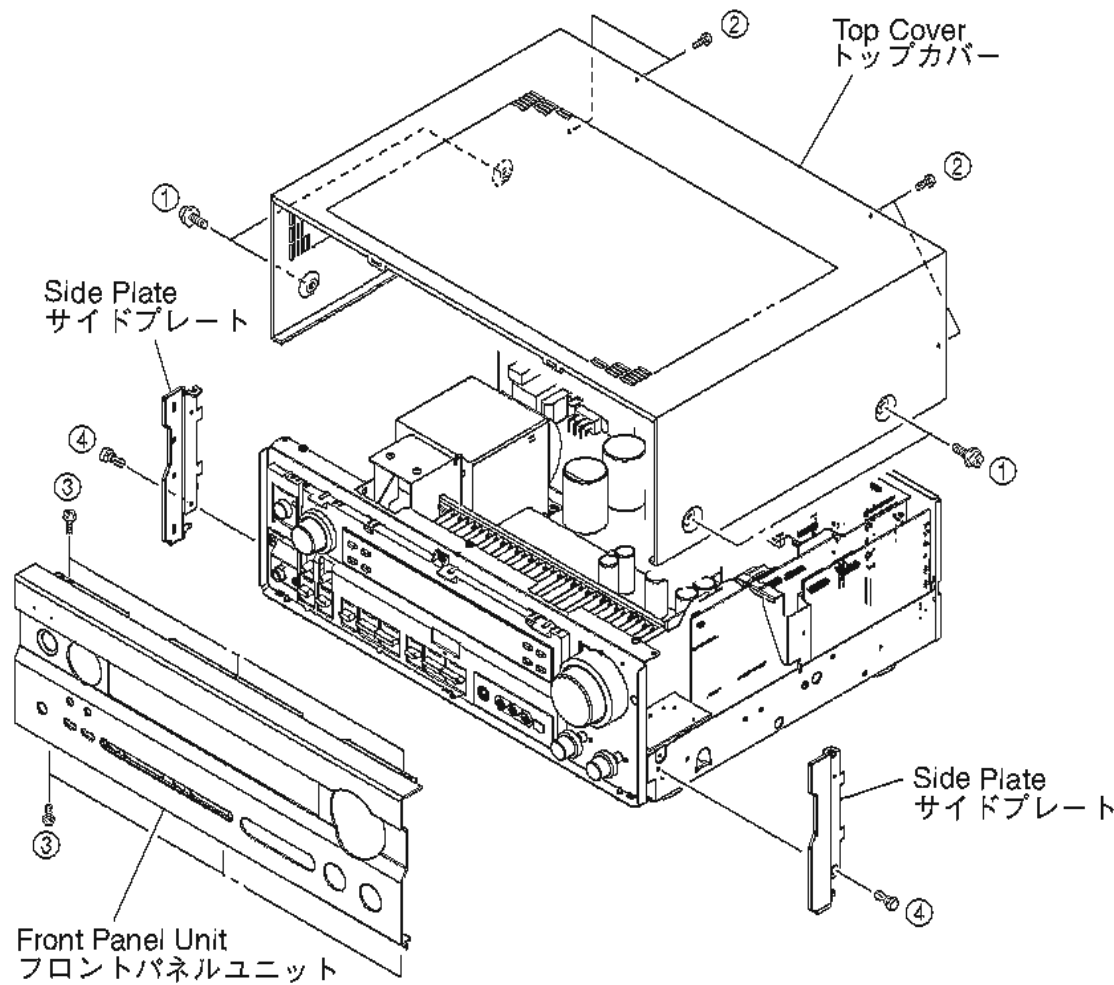


Fig. 1

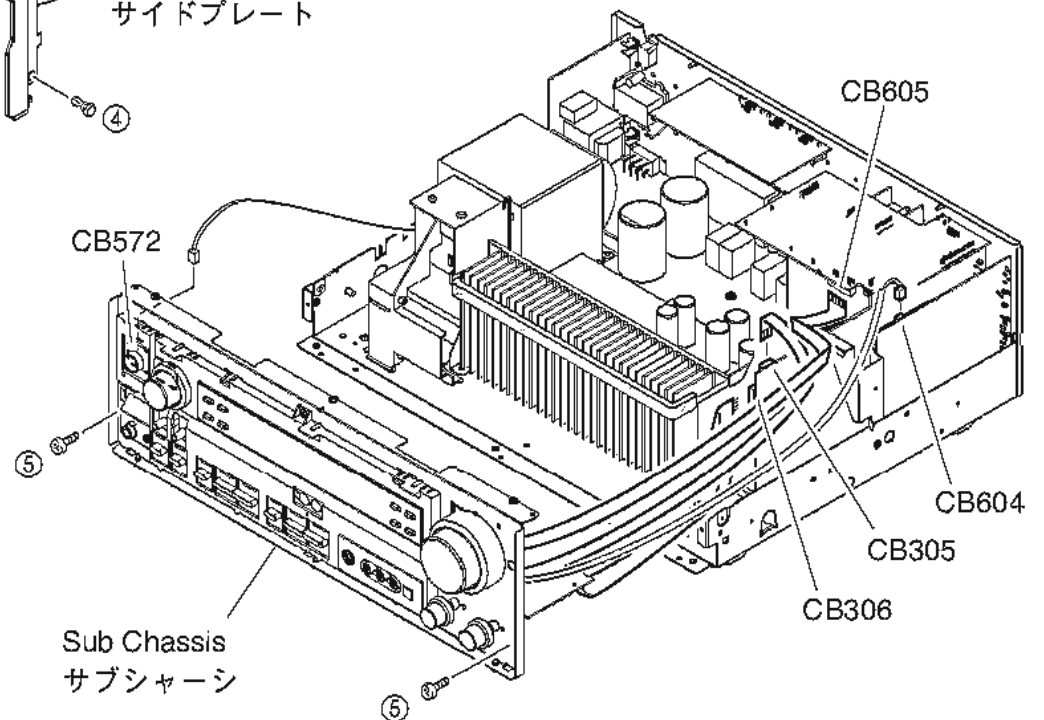


Fig. 2

4. Removal of DSP P.C.B.

- Remove 1 screw (⑥). (Fig. 3)
- Remove 6 screws (⑦). (Fig. 4)
- Remove CB602 and CB603. (Fig. 3)
- Remove the DSP P.C.B. with the Support/DSP. (Fig. 3)

4. DSP P.C.B.の外し方

- ⑥のネジ1本を外します。(Fig. 3)
- ⑦のネジ6本を外します。(Fig. 4)
- CB602、CB603を外します。(Fig. 3)
- DSP P.C.B.をサポート/DSPと共に取り外します。(Fig. 3)

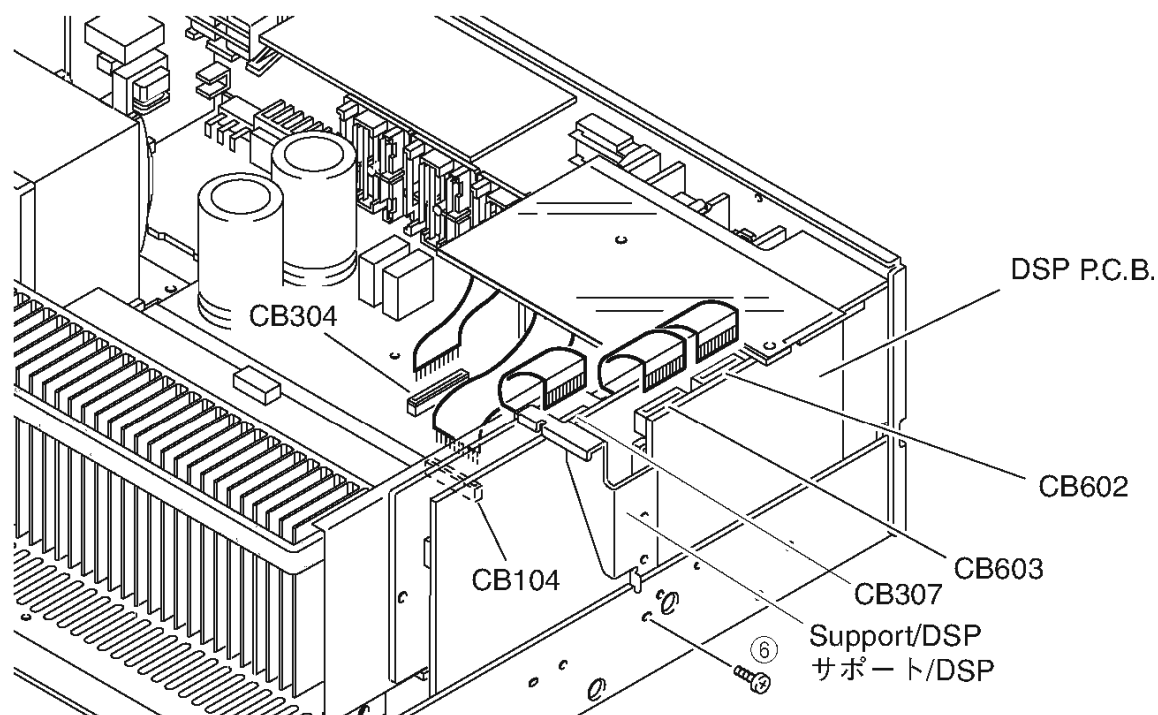


Fig. 3

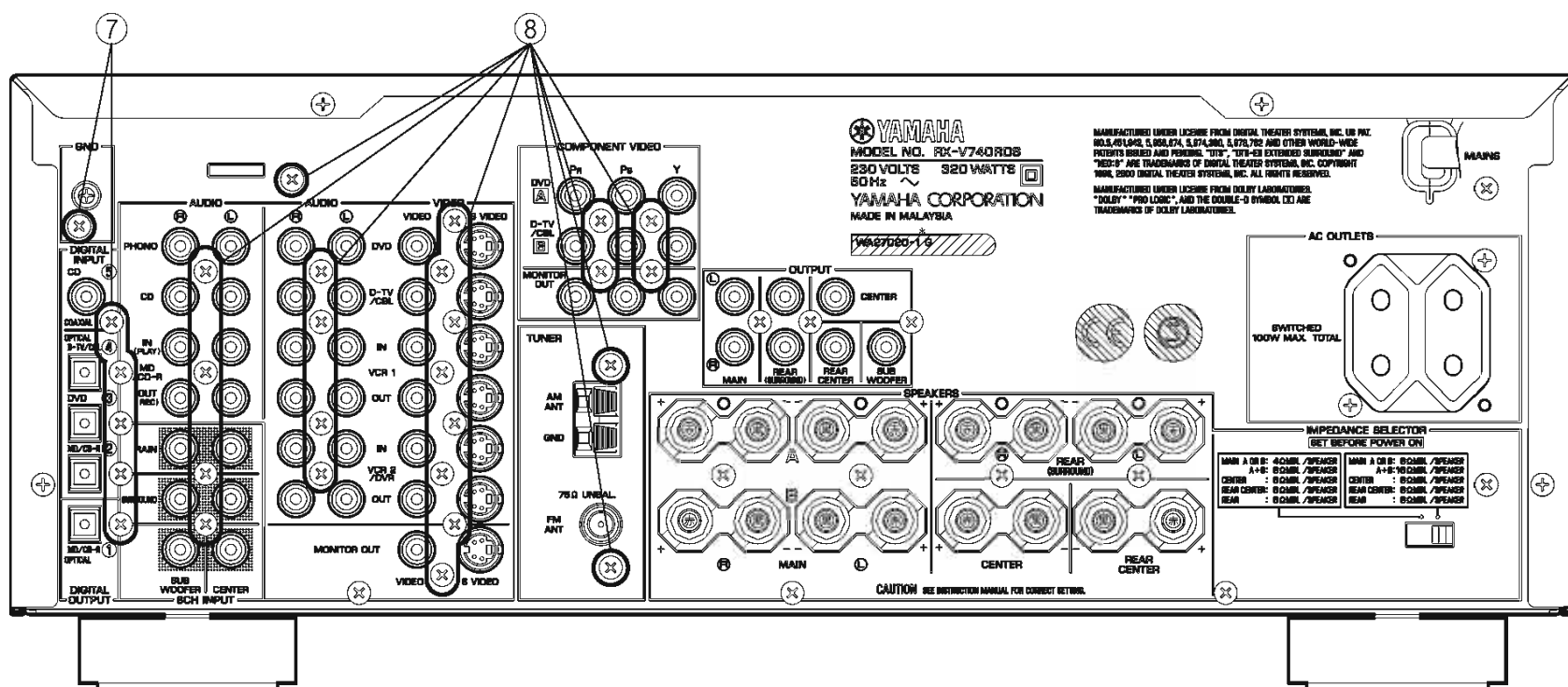


Fig. 4

RX-V740/RX-V740RDS/DSP-AX740  
 RX-V640/RX-V640RDS/HTR-5660/DSP-AX640/DSP-AX640SE



**5. Removal of FUNCTION (1) ~ (7) P.C.B.s and Tuner**

- a. Remove CB104, CB304 and CB307. (Fig. 3)
- b. Remove 23 screws (Ⓢ). (Fig. 3)
- c. Remove FUNCTION (1) ~ (7) P.C.B.s and the Tuner. (Fig. 5)

**5. FUNCTION (1)~(6)、TUNERの外し方**

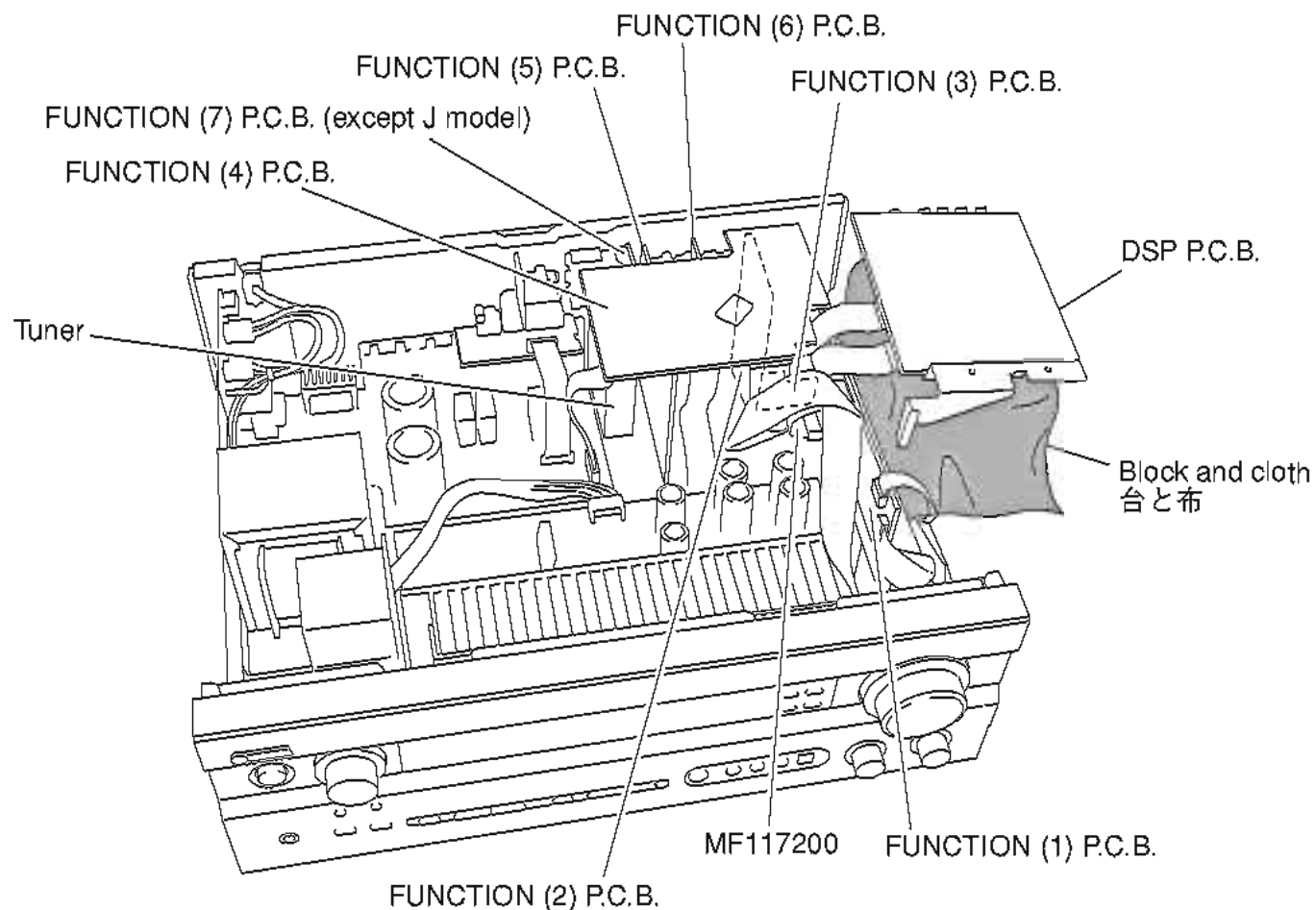
- a. CB104、CB304、CB307を外します。(Fig. 3)
- b. Ⓢのネジ23本を外します。(Fig. 3)
- c. FUNCTION (1)~(6)、TUNERを取り外します。(Fig. 5)

**When checking the P.C.B.:**

- Reconnect all cables (connectors) that have been disconnected.  
Be sure to use the extension cable for servicing for the following section.  
POWER (1) P.C.B. CB601 – FUNCTION (1) P.C.B. CB307:  
MF117200 (17P 200mm)
- When connecting the flat cable, use care for the polarity.
- The P.C.B. removed from the rear panel does not work because its grounding is loose. Be sure to connect the ground of each P.C.B. to the chassis or GND with a jumper wire or the like.

**P.C.B.チェックをする場合には**

- 外したケーブル(コネクタ)をすべて接続してください。  
ただし次の区間は、サービス用延長ケーブルを使用してください。  
POWER (1) P.C.B. CB601 – FUNCTION (1) P.C.B. CB307:  
MF117200 (17P 200mm)
- フラットケーブルを接続する際、極性に注意してください。
- リアパネルから外したP.C.B.はアースが浮いて動作しませんので、各P.C.B.のアースをリード線等でシャーシまたはGNDに接続してください。



**Fig. 5**

**6. Removal of MAIN (1), MAIN (3) and POWER (1) P.C.B.s**

- a. Remove CB307. (Fig. 6)
- b. Remove 2 screws (⑨) and 4 screws (⑩). (Fig. 6)
- c. Loosen the harness fixture fixing the cable.
- d. Remove MAIN (1), (3) and POWER (1) P.C.B.s. (Fig. 6)

**6. MAIN (1)、MAIN (3)、POWER (1) P.C.B.の外し方**

- a. CB307を外します。(Fig. 6)
- b. ⑨のネジ2本、⑩のネジ4本を外します。(Fig. 6)
- c. ケーブルを固定している束線止めをゆるめます。
- d. MAIN (1)、MAIN (3)、POWER (1) P.C.B.を取り外します。(Fig. 6)

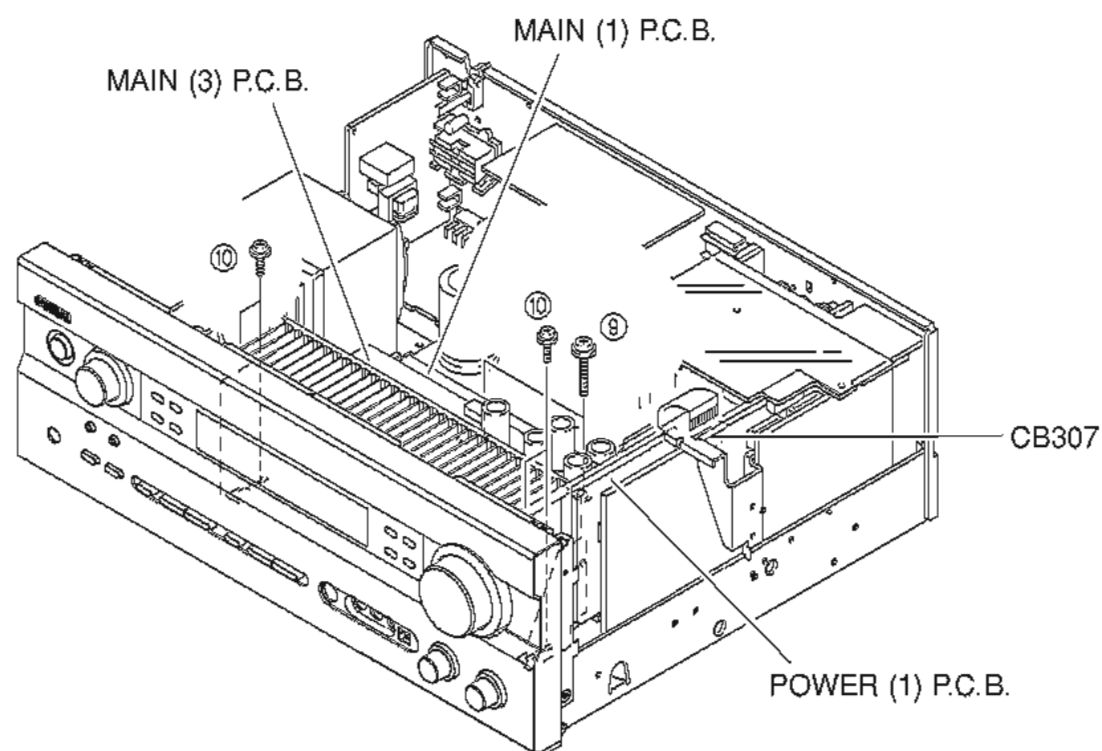


Fig. 6

**When checking the P.C.B.:**

- Reconnect all cables (connectors) that have been disconnected.  
 Be sure to use the extension cable for servicing for the following section.  
 POWER (1) P.C.B. CB601 – FUNCTION (1) P.C.B. CB307:  
 MF117200 (17P 200mm)
- When connecting the flat cable, use care for the polarity.
- The P.C.B. removed from the rear panel does not work because its grounding is loose. Be sure to connect the ground of each P.C.B. to the chassis or GND with a jumper wire or the like.

**P.C.B.チェックをする場合には**

- 外したケーブル(コネクタ)をすべて接続してください。  
 ただし次の区間は、サービス用延長ケーブルを使用してください。  
 POWER (1) P.C.B. CB601 – FUNCTION (1) P.C.B. CB307:  
 MF117200 (17P 200mm)
- フラットケーブルを接続する際、極性に注意してください。
- リアパネルから外したP.C.B.はアースが浮いて動作しませんので、各P.C.B.のアースをリード線等でシャーシまたはGNDに接続してください。

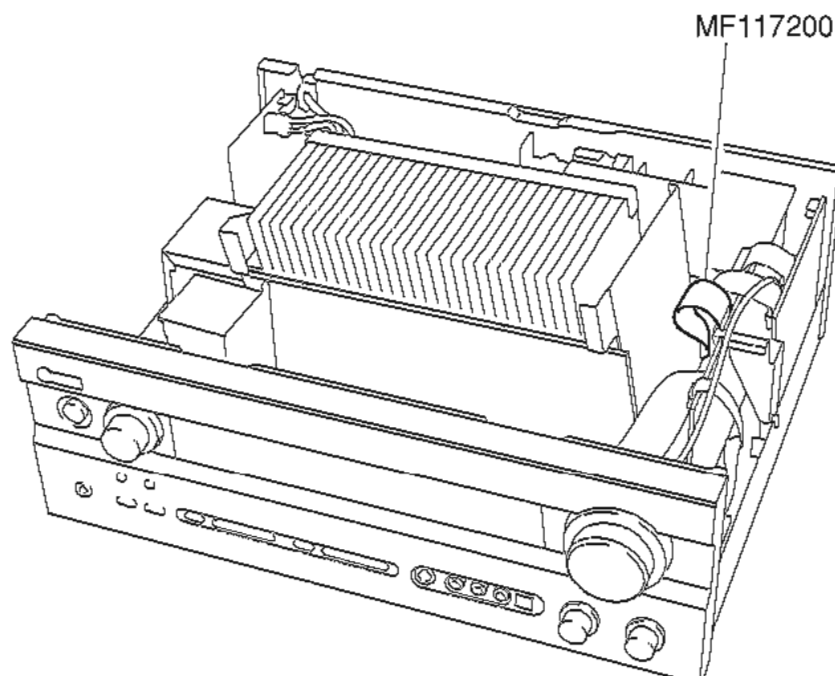


Fig. 7

## ■ SELF DIAGNOSIS FUNCTION (DIAG) / 自己診断機能 (ダイアグ)

There are 15 DIAG menu items, each of which has sub-menu items.

Listed in the table below are menu items and sub-menu items.

Note that not all menu items listed will apply to the models covered in this service manual.

本機には、検査、測定、不良個所の発見を目的にした自己診断機能(ダイアグ)があります。

ダイアグメニューは15個あり、そのそれぞれにサブメニューがあります。(ダイアグのメニュー操作は本体で行います。) 下表はメニュー一覧です。

No	DIAG menu	sub-menu
1	DSP THROUGH 1. ANALOG BYPAS	1. ANALOG BYPASS
		2. YSS 0dB
		3. YSS Front 0dB
		4. YSS FULL BIT
		5. YSS FULL BIT F
2	RAM THROUGH 2. RAM 0dB	RAM 0dB
3	PRO LOGIC / NEO6 3. PRO LOGIC I	1. PRO LOGIC I
		2. PRO LOGIC II
		3. Neo:6
4	SPEAKERS SET 4. MAIN: SML 0dB	1. MAIN: SMALL 0dB
		2. CENTER: NONE
		3. LFE/BASS: MAIN
		4. Front Mix: 5ch
		5. Rear Center power
		6. Tone Control Flat (Not applied to these models / このモデルには適用されません。)
		7. Tone Control +10dB (Not applied to these models / このモデルには適用されません。)
		8. Tone Control -10dB (Not applied to these models / このモデルには適用されません。)
5	MARGIN CHECK 5. MAIN 12dB	1. MAIN 12 dB margin
		2. MAIN 15 dB margin
6	OTHER INPUT 6. EXTERNAL DEC	EXTERNAL DECODER
7	DISPLAY CHECK 7. VFD CHECK	1. VFD CHECK (Initial display / 初期表示)
		2. VFD DISP OFF (All segments OFF / 全セグメント消灯)
		3. VFD DISP ALL (All segments ON 100% / 全セグメント点灯100%)
		4. VFD DIMMER (All segments ON 50% / 全セグメント点灯50%)
		5. CHECKED PATTERN (ON in lattice / 格子状点灯)
8	MANUAL TEST 8. TEST ALL	1. TEST ALL
		2. TEST MAIN L
		3. TEST CENTER
		4. TEST MAIN R
		5. TEST REAR R
		6. TEST REAR CENTER
		7. TEST REAR L
		8. TEST LFE
9	FACTORY PRESET 9. PRESET INHI	1. PRESET INHIBITED (memory initialization inhibited / メモリーの初期化禁止)
		2. PRESET RESERVED (memory initialized / メモリーの初期化)
10	AD DATA CHECK /FAN TEST DC: 98% PS: 38%	1. DC/PS (protection)
		2. THM/Fan
		3. REC-OUT (Not used in this model.)
		4. IMP SW/POWER LIMIT
		5. K0/K1 (panel key)
		6. FAN DRIVE TEST: HIGH
		7. FAN DRIVE TEST: MID
		8. FAN DRIVE TEST: LOW

RX-V740/RX-V740RDS/DSP-AX740  
 RX-V640/RX-V640RDS/HTR-5660/DSP-AX640/DSP-AX640SE

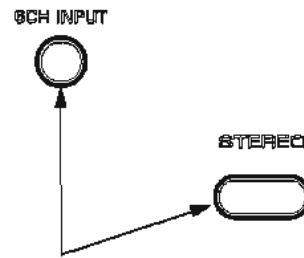
No	DIAG menu	sub-menu
11	IF STATUS IS1:440308C000	1. INSIDE STATUS 1 (5 Byte)
		2. INSIDE STATUS 2 (3 Byte)
		3. CHANNEL STATUS 1 (5 Byte)
		4. CHANNEL STATUS 2 (5 Byte)
		5. CHANNEL STATUS 3 (5 Byte)
		6. CHANNEL STATUS 4 (5 Byte)
		7. CHANNEL STATUS 5 (4 Byte)
		8. BSI (YSS) 1 (5 Byte)
		9. BSI (YSS) 2 (5 Byte)
		10. BSI (YSS) 3 (5 Byte)
		11. BSI (YSS) 4 (4 Byte)
		12. BSI (CS) 1 (5 Byte)
		13. BSI (CS) 2 (5 Byte)
		14. BSI (CS) 3 (5 Byte)
		15. BSI (CS) 4 (5 Byte)
		16. BSI (CS) 5 (1 Byte)
		17. YSS938-1 (5 Byte)
		18. YSS938-2 (5 Byte)
		19. YSS938-3 (4 Byte)
		20. SECOND DECODER (4 Byte)
		21. Mute Trigger (5 Byte)
12	DSP RAM CHECK YSS BUS:NoEr	1. YSS938 BUS CHECK 2. PLD/SRAM BUS CHECK
13	SD DL CODE RDV:XXXXXXXX	1. ROM DATA Version
		2. TOC Area 0
		3. TOC Area 1
		4. TOC Area 2
		5. TOC Area 3
		6. TOC Area 4
		7. TOC Area 5
		8. Sum check Area 0
		9. Sum check Area 1
		10. Sum check Area 2
		11. Sum check Area 3
		12. Sum check Area 4
		13. Sum check Area 5
14	SOFT SWITCH 14. SW :PCB	1. SW MODE
		2. MODEL SETTING
		3. TUNER DESTINATION
		4. TUNER
		5. RDS
		6. ZONE2
		7. VIDEO FORMAT
15	ROM VERSION/CHECK SUM/ PORT VER. XXXXX	1. VERSION
		2. CHECK SUM ALL/PROGRAM
		3. PORT
		4. AAC PORT

RX-V740/RX-V740RDS/DSP-AX740  
 RX-V640/RX-V640RDS/HTR-5660/DSP-AX640/DSP-AX640SE

## ● Starting DIAG

Press the "STANDBY/ON" key while simultaneously pressing those two keys of the main unit as indicated in the figure below.

Keys of main unit / 本体キー



Turn on the power while pressing these keys.  
これらのキーを同時に押しながら、パワーオンする。

## ● Starting DIAG in the protection cancel mode

If the protection function works and causes hindrance to trouble diagnosis, cancel the protection function as described below, and it will be possible to enter the DIAG mode. (The protection functions other than the excess current detect function will be disabled.)

Press the "STANDBY/ON" key while simultaneously pressing those two keys indicated in the figure above. At this time, keep pressing those two keys for 3 seconds or longer.

In this mode, the "SLEEP" segment of the FL display of the main unit flashes to indicate that the mode is DIAG mode with the protection functions disabled.

### CAUTION!

Using this product with the protection function disabled may cause damage to itself. Use special care for this point when using this mode.

## ● Canceling DIAG

[1] Before canceling DIAG, execute setting for PRESET of DIAG menu No.9 (Memory initialization inhibited or Memory initialized).

\* In order to keep the user memory stored, be sure to select PRESET INHIBITED (Memory initialization inhibited).

[2] Turn off the power by pressing the "STANDBY/ON" key of the main unit.

## ● ダイアグの起動

本体の下図に示すキーを同時に押しながら"STANDBY/ON"キーを押すと、ダイアグが起動します。

## ● プロテクション解除モードでの起動

プロテクションが動作することにより、故障箇所の診断に支障をきたすような場合は、次の方法によりプロテクションを解除した状態でダイアグモードに入ることができます。(過電流検出以外のプロテクション動作を解除する)

上図のキーを同時に押しながら"STANDBY/ON"キーを押します。このとき、上図のキーを3秒以上押し続けてください。

このモードでは本体FLの"SLEEP"セグメントが点滅し、プロテクションを解除した状態でのダイアグモードであることを知らせます。

### 注意!

プロテクションを解除した状態でのダイアグモードは、危険な状態でもプロテクションが作動しないため、動作させると、機器を破壊することがあります。このモードを使用する場合は十分注意してください。

## ● ダイアグの解除

① ダイアグを解除する前に、ダイアグメニューNo.9のFACTORY PRESET (メモリーの初期化禁止/またはメモリーの初期化)の設定をします。

※ ユーザーメモリーを保持したい場合は、必PRESET INHIBITED (メモリー初期化禁止)を選択してください。

② 本体の"STANDBY/ON"キーを押し、パワーオフにします。

● **Display provided when DIAG started**

RX-V740/RX-V740RDS/DSP-AX740: When the monitor is connected, DIAGNOSTIC MENU appears on its screen as shown in the figure. (It remains on display until DIAG is cancelled.)

DIAGNOSTIC MENU	
1. DSP THR	9. PRESET
2. RAM THR	10. AD/FAN
3. PRO LOGIC	11. STATUS
4. SP SET	12. DSP RAM
5. HP TEST	13. SD DL COD
6. EXT DEC	14. SOFT SW
7. VFD CHECK	15. VER/SUM/P
8. MAN' L TEST	

● **ダイアグ起動時の表示**

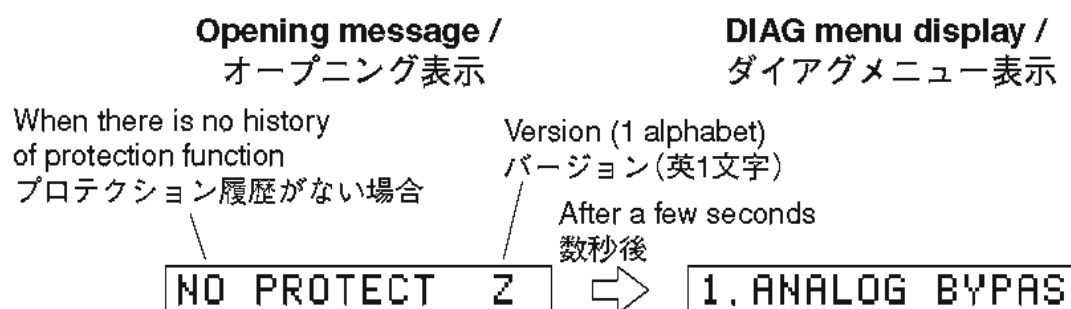
RX-V740/RX-V740RDS/DSP-AX740: モニターを接続してある場合は、モニターの画面に図のようにダイアグメニューの一覧が表示されます。(ダイアグを解除するまで、この表示が保持されます)

The FL display of the main unit displays the protection function history data and the version (1 alphabet) and the DIAG menu [sub-menu (ANALOG BYPASS) of DIAG menu No.1 DSP THROUGH] a few seconds later.

本体のFLディスプレイにプロテクション履歴情報とバージョン(英1文字)が表示され、数秒後にダイアグメニュー(No.1 DSP THROUGHのサブメニューANALOG BYPASS)になります。

**When there is no history of protection function:**

**プロテクション履歴がない場合:**



**When there is a history of protection function:**

**プロテクション履歴がある場合:**



**Cause:** An excessive current flowed through the power amplifier.

**Supplementary information:** As current of the power transistor is detected, the abnormal channel can be identified by checking the current detect transistor.

Turning on the power without correcting the abnormality will cause the protection function to work immediately and the power supply will instantly be shut off.

原因：パワーアンプに過電流が流れた。  
 補足：パワートランジスタの電流を検出していますので、電流検出トランジスタをチェックすれば異常チャンネルが特定できます。  
 異常状態のままパワーオンすると、瞬時にプロテクションがかかり、すぐに電源が切れます。

**Note)**

- Applying the power to a unit without correcting the abnormality can be dangerous and cause additional circuit damage.
- The output transistors in each amplifier channel should be checked for damage before applying any power.
- Amplifier current should be monitored by measuring across the emitter resistors for each channel.

RX-V740/RX-V740RDS/DSP-AX740  
 RX-V640/RX-V640RDS/HTR-5660/DSP-AX640/DSP-AX640SE



When there is a history of protection function due to an abnormal voltage in the power supply section  
電源部の電圧異常によるプロテクション履歴がある場合

Version (1 alphabet)  
バージョン(英1文字)

PS PRT:000 Z

Voltage display in %  
電圧の%表示

**Cause:** The voltage in the power supply section is abnormal.

**Supplementary information:** The abnormal voltage is displayed in % based on 5V as 100%.

Turning on the power without correcting the abnormality will cause the protection function to work 1 second later and the power supply will be shut off.

原因：電源部の電圧が異常。

補足：異常時の電圧の状態を、5Vを100%とした値で%表示します。

異常状態のままパワーオンすると、1秒後にプロテクションがかかり、電源が切れます。

When there is a history of protection function due to abnormal DC output  
DC出力異常によるプロテクション履歴がある場合

Version (1 alphabet)  
バージョン(英1文字)

DC PRT: Z

**Cause:** DC output of the power amplifier is abnormal.

Turning on the power without correcting the abnormality will cause the protection function to work 3 seconds later and the power supply will be shut off.

原因：パワーアンプのDC出力が異常。

異常状態のままパワーオンすると、3秒後にプロテクションがかかり、電源が切れます。

When there is a history of protection function due to excessive heat sink temperature  
放熱器の異常温度によるプロテクション履歴がある場合

Version (1 alphabet)  
バージョン(英1文字)

TMP PRT:000 Z

Voltage display in %  
電圧の%表示

**Cause:** The temperature of the heat sink is excessive.

**Supplementary information:** The abnormal voltage is displayed in % based on 5V as 500%.

Turning on the power without correcting the abnormality will cause the protection function to work 1 second later and the power supply will be shut off.

原因：放熱器の温度が異常。

補足：異常時の電圧の状態を、5Vを500%とした値で%表示します。

異常状態のままパワーオンすると、1秒後にプロテクションがかかり、電源が切れます。

- \* Additional causes of protection can be due to loose connections, associated components, CPU, etc.
- \* For the protection voltage value, refer to DIAG menu No.10 described later.

- ※ 前記の異常原因の他に、コネクタのはずれやCPU周辺などに原因がある場合があります。
- ※ プロテクションの電圧値に関しては、後述のダイアグメニューNo.10を参照してください。

#### ● History of protection function

When the protection function has worked, its history is stored in memory with a backup. Even if no abnormality is noted while servicing the unit, an abnormality which has occurred previously can be defined as long as the backup data has been stored.

The history of the protection function is cleared when DIAG is cancelled by selecting PRESET RESERVED (Memory initialized) of DIAG menu No.9 or when the backup data is erased.

#### ● プロテクションの履歴

プロテクションが働いた場合、履歴をバックアップして記憶しています。サービスのときに異常が認められなくても、バックアップが残っていれば、お客様のところで起きた異常を区別できます。

プロテクションの履歴は、ダイアグメニューNo.9で PRESET RESERVED (メモリーの初期化)を選んでダイアグを解除した場合や、バックアップが消えたときにはクリアされます。

### ● Display during menu operation

During the DIAG operation, the function at work is indicated on the FL indicator. The contents displayed during the function operation are described in the later section on details of functions.

### ● Operation procedure of DIAG menu and SUB-MENU

There are 15 MENU items, each of which has some SUB-MENU items.

#### DIAG menu selection

Main unit: Select the menu using ▷ (Forward) and ◁ (Reverse) keys of PRESET/TUNING.

#### SUB-MENU selection

Main unit: Select the sub-menu using ▷ (Forward) and ◁ (Reverse) keys of PROGRAM.

### ● メニュー動作中の表示

ダイアグ中、本体のFLディスプレイに動作中の機能が表示されます。機能動作中の表示内容については、後述の機能詳細で記述します。

### ● ダイアグメニューとサブメニューの操作

ダイアグにはNo.1~15のメニューがあり、そのそれぞれにサブメニューがあります。

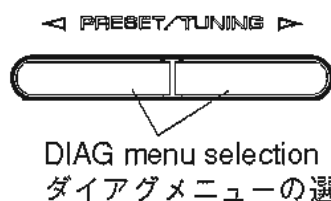
#### ダイアグメニューの選択

本体キーでの操作：PRESET/TUNING ▷ (順送り), ◁ (逆送り)キーで選択します。

#### サブメニューの選択

本体キーでの操作：PROGRAM ▷ (順送り), ◁ (逆送り)キーで選択します。

Keys of main unit / 本体キー



### ● Functions in DIAG mode

In addition to the DIAG menu items, functions as listed below are available.

- Input selection, 6CH input
- Center/Rear/Rear Center/Sub-woofer level adjustment
- Muting
- Power on/off
- Master volume

\* Functions related to the tuner and the set menu are not available.

\* It is possible to confirm Menu No.11 IF STATUS while keeping the signal process (operation status) of each DIAG menu by using the input mode key of the main unit.

### ● Initial settings used to start DIAG

The following initial settings are used when starting DIAG. When DIAG is canceled, these settings are restored to those before starting DIAG.

- Master volume: -40dB
- Input: DVD (6CH INPUT OFF)
- Effect level: 0dB
- Audio mute: OFF
- Speaker setting: LARGE / BASS OUT = BOTH
- DIAG menu: DSP THROUGH (1. ANALOG BYPASS)

### ● ダイアグ中の機能

ダイアグメニューの他に、以下の機能が動作します。

- インプット切り換え、6CHインプット
- センター、リア、リアセンター、サブウーファーレベル調整
- ミューティング
- パワーオン/オフ
- マスターボリューム

※ チューナー関連、セットメニュー関連は機能しません。

※ 本体のINPUT MODEキーにより、各ダイアグメニューの信号処理(動作状態)を維持したままメニューNo.11 "IF STATUS"の確認ができます。

### ● ダイアグ開始時の初期設定

ダイアグ開始時に以下のような設定になります。ダイアグ解除時にはダイアグ開始前の状態に戻ります。

- マスターボリューム：-40dB
- インプット：DVD (6CH INPUT オフ)
- エフェクトレベル：0dB
- オーディオミュート：オフ
- スピーカー設定：LARGE / BASS OUT = BOTH
- ダイアグメニュー：DSP THROUGH (1. ANALOG BYPASS)



● **Details of DIAG menu**

With full-bit output specified in some modes, it is possible to execute 0dBFS output without head margin in each channel.

**1. DSP THROUGH**

Main DSP of YSS938 is selected for MAIN L/R output.

**ANALOG BYPASS**

- The signal for L/R is output as it is without passing through the DSP section.

● **ダイアグメニュー詳細**

一部のモードでフルビット指定することで、各チャンネルのヘッドマージンを廃して0dBFS出力することが可能です。

**1. DSP THROUGH**

MAIN L/R出力にはYSS938のMain DSPが選択されます。

**ANALOG BYPASS**

- L/Rは、DSP部を通らずにそのまま出力されます。

**1. ANALOG BYPASS**

Reference data

INPUT: DVD ANALOG

SWFR: 50Hz, Others: 1kHz

Input level	Volume	SPEAKER OUTPUT (1kHz)				SUBWOOFER OUTPUT (50Hz)
		MAIN L/R	CENTER	REAR CENTER	RL/RR	
Both ch, -20 dBm	-10 dB	+15.9 dBm	- ∞	- ∞	- ∞	- ∞

**YSS 0dB**

- The signal is output including the head margin.  
Head margin:  
Main L/R: 0dBFS, Center: -6dBFS,  
Rear Center: -6dBFS, RL/RR: -12dBFS,  
SWFR: Add L/R signal at -20dBFS.

**YSS 0dB**

- ヘッドマージンを含んで出力されます。  
ヘッドマージン:  
Main L/R: 0dBFS、Center: -6dBFS、  
Rear Center: -6dBFS、RL/RR: -12dBFS、  
SWFR: L/Rを-20dBFSにて加算

**1. YSS 0dB**

Reference data

INPUT: DVD ANALOG

SWFR: 50Hz, Others: 1kHz

Input level	Volume	SPEAKER OUTPUT (1kHz)				SUBWOOFER OUTPUT (50Hz)
		MAIN L/R	CENTER	REAR CENTER	RL/RR	
Both ch, -20 dBm	-10 dB	+15.5 dBm	+14.4 dBm	+14.9 dBm	+14.9 dBm	+1.8 dBm

**YSS Front 0dB**

- The front CH signal including the head margin is output at the main CH.  
Head margin:  
Main L/R: 0dBFS, Center: -6dBFS,  
RL/RR: -12dBFS, SWFR: Add L/R signal at -20dBFS.

**YSS Front 0dB**

- ヘッドマージンを含んで、フロントCHがメインCHに出力されます。  
ヘッドマージン:  
Main L/R: 0dBFS、Center: -6dBFS、  
Rear Center: -6dBFS、RL/RR: -12dBFS、  
SWFR: L/Rを-20dBFSにて加算

**1. YSS Front0dB**

Reference data

INPUT: DVD ANALOG

SWFR: 50Hz, Others: 1kHz

Input level	Volume	SPEAKER OUTPUT (1kHz)				SUBWOOFER OUTPUT (50Hz)
		MAIN L/R	CENTER	REAR CENTER	RL/RR	
Both ch, -20 dBm	-10 dB	+15.2 dBm	- ∞	- ∞	- ∞	- ∞

**RX-V740/RX-V740RDS/DSP-AX740**  
**RX-V640/RX-V640RDS/HTR-5660/DSP-AX640/DSP-AX640SE**

**YSS FULL BIT**

- The signal is output in digital full bit without including the head margin. The SWFR signal is output but not in digital full bit.

**YSS FULL BIT**

- ヘッドマージンを含まず、デジタルフルビットで出力されます。SWFRは出力されますが、デジタルフルビットではありません。

**1. YSS FULL BIT**

Reference data  
 INPUT: DVD ANALOG  
 SWFR: 50Hz, Others: 1kHz

Input level	Volume	SPEAKER OUTPUT (1kHz)				SUBWOOFER OUTPUT (50Hz)
		MAIN L/R	CENTER	REAR CENTER	RL/RR	
Both ch, -20 dBm	-10 dB	+15.5 dBm	+14.4 dBm	+14.9 dBm	+14.9 dBm	+1.8 dBm

**YSS FULL BIT F**

- The front CH signal is output in digital full bit at the main CH.

**YSS FULL BIT F**

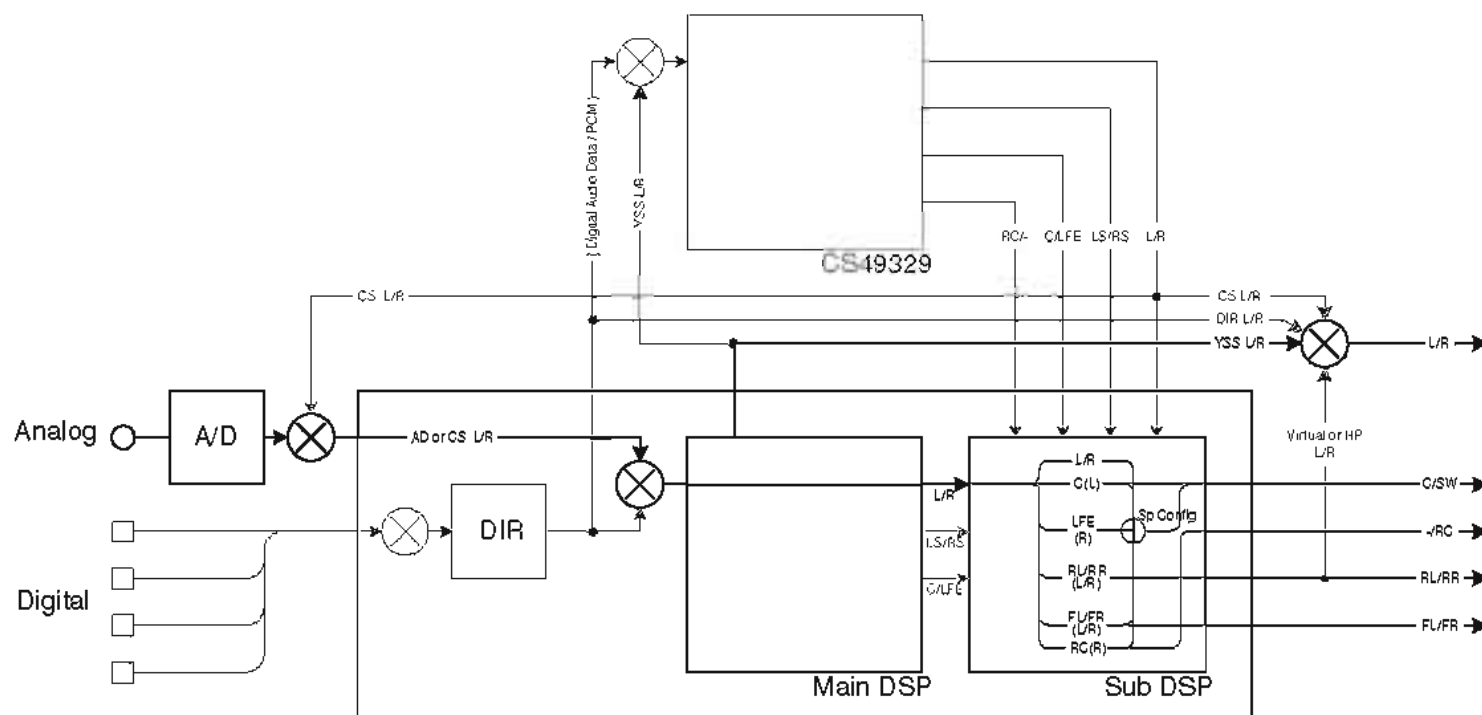
- フロントCHがメインCHに、デジタルフルビットで出力されます

**1. FULL BIT F**

Reference data  
 INPUT: DVD ANALOG  
 SWFR: 50Hz, Others: 1kHz

Input level	Volume	SPEAKER OUTPUT (1kHz)				SUBWOOFER OUTPUT (50Hz)
		MAIN L/R	CENTER	REAR CENTER	RL/RR	
Both ch, -20 dBm	-10 dB	+15.2 dBm	- ∞	- ∞	- ∞	- ∞

**DSP THROUGH ~  
 YSS (Analog)**



(Shaded items not used in this example)

**2. RAM THROUGH**

This function is for YSS938 only.  
 Only the CT signal is output through the Sub DSP –  
 DRAM.

**RAM 0dB**

**2. RAM THROUGH**

YSS938のみの動作です。  
 CTのみがSub DSP – DRAM経由で出力されます。

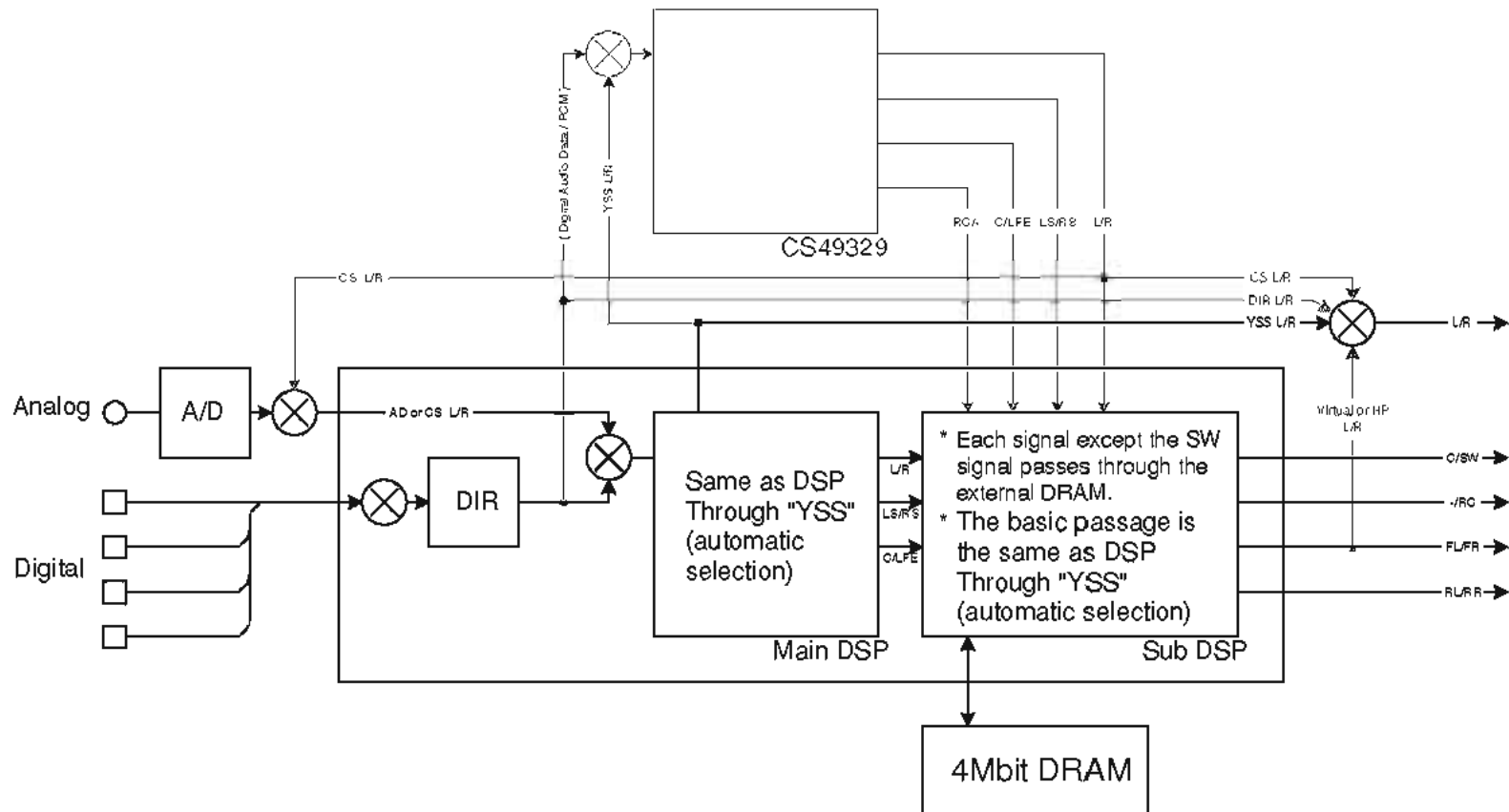
**RAM 0dB**

**2. RAM 0dB**

Reference data  
 INPUT: DVD ANALOG  
 SWFR: 50Hz, Others: 1kHz

Input level	Volume	SPEAKER OUTPUT (1kHz)				SUBWOOFER OUTPUT (50Hz)
		MAIN L/R	CENTER	REAR CENTER	RL/RR	
Both ch, -20 dBm	-10 dB	-∞	+8.4 dBm	-∞	-∞	-∞

RAM THROUGH ~  
 (Auto)



(Shaded items not used in this example)

RX-V740/RX-V740RDS/DSP-AX740  
 RX-V640/RX-V640RDS/HTR-5660/DSP-AX640/DSP-AX640SE

3. PRO LOGIC

PRO LOGIC I

3. PRO LOGIC I

Reference data  
 INPUT: DVD ANALOG  
 SWFR: 50Hz, Others: 1kHz

Input level	Volume	SPEAKER OUTPUT (1kHz)				SUBWOOFER OUTPUT (50Hz)
		MAIN L/R	CENTER	REAR CENTER	RL/RR	
Each ch, -20 dBm	-10 dB	+15.5 dBm	- ∞	- ∞	- ∞	-8.0 dBm
Both ch, -20 dBm	-10 dB	- ∞	+17.5 dBm	- ∞	- ∞	- ∞

3. PRO LOGIC

PRO LOGIC I

PRO LOGIC II

3. PRO LOGIC II

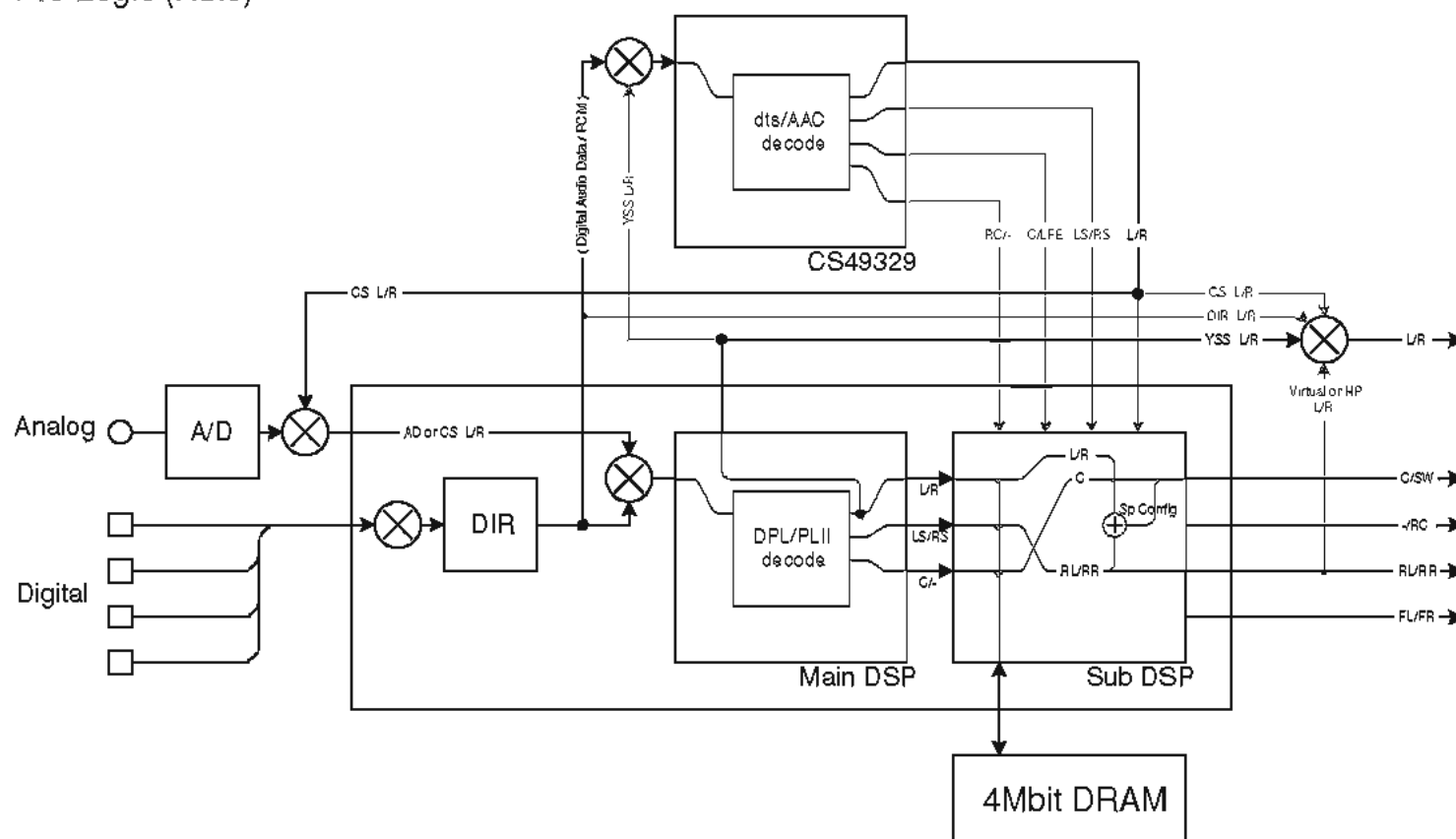
Reference data  
 INPUT: DVD ANALOG  
 SWFR: 50Hz, Others: 1kHz

Input level	Volume	SPEAKER OUTPUT (1kHz)				SUBWOOFER OUTPUT (50Hz)
		MAIN L/R	CENTER	REAR CENTER	RL/RR	
Each ch, -20 dBm	-10 dB	+15.5 dBm	- ∞	- ∞	- ∞	-8.0 dBm
Both ch, -20 dBm	-10 dB	- ∞	+17.5 dBm	- ∞	- ∞	- ∞

The L/C/R/RL/RR signals undergo the Pro-Logic processing and C/RL/RR signals are output through Sub DSP-DRAM. Main DSP is selected for MAIN L/R output. Using the sub-menu, it is possible to select PRO LOGIC I, II (Movie). The Auto Input Balance function is always off. When the Dolby Digital Multi input is used, the function is the same as in the Dolby Digital Normal mode. The LFE signal is not output when decoding in the PRO LOGIC I, II mode.

L/C/R/RL/RRはYSS938によりプロロジック処理され、C/RL/RRはSub DSP-DRAM経由で出力されます。MAIN L/R出力にはMain DSPが選択されます。サブメニューでPRO LOGIC I、II (Movie) を選択可能です。常時Auto Input Balance offです。  
 AAC入力時はCS49329でデコード後、L/Rはプロロジック処理されます。(J modelのみ)  
 Dolby Digital Multi入力時は、通常のDolby Digital Normalと同じ動作をします。PRO LOGIC I、IIデコード時は、LFEは出力されません。

Dolby Pro Logic (Auto)



(Shaded items not used in this example)

Neo:6

Neo:6

3. Neo:6

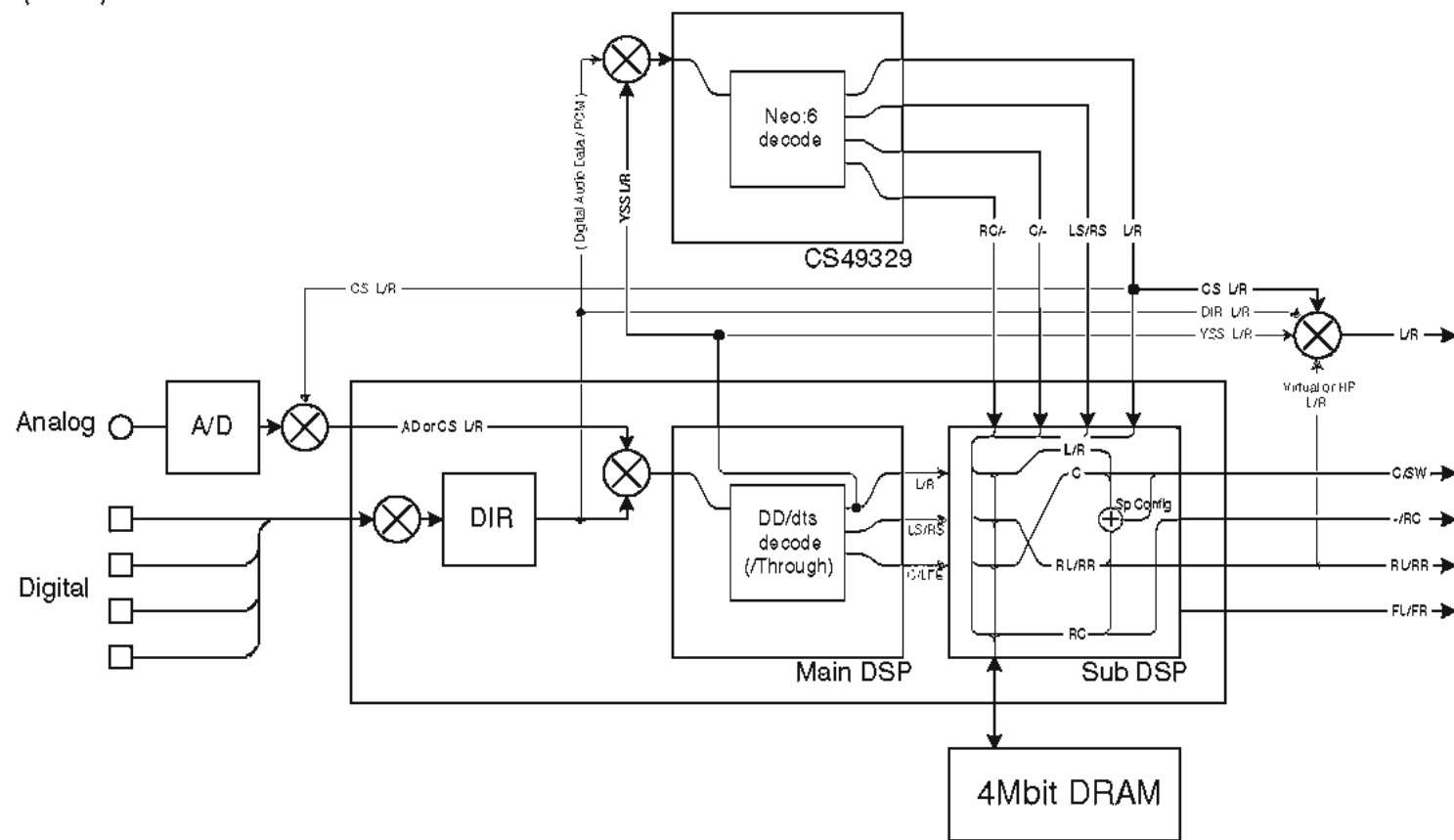
Reference data  
 INPUT: DVD ANALOG  
 SWFR: 50Hz, Others: 1kHz

Input level	Volume	SPEAKER OUTPUT (1kHz)				SUBWOOFER OUTPUT (50Hz)
		MAIN L/R	CENTER	REAR CENTER	RL/RR	
Each ch, -20 dBm	-10 dB	+15.5 dBm	-∞	-∞	-∞	-8.0 dBm
Both ch, -20 dBm	-10 dB	-∞	+17.5 dBm	-∞	-∞	-∞

L/C/R/RL/RC/RR signals are NEO:6 processed by CS49329 and C/RL/RC/RR signals are output through Sub DSP-DRAM. CS49329 is selected for the MAIN L/R output. The NEO:6 mode is fixed to Cinema 6ch. When DD/dts input is used, the signal is decoded by YSS-938 and then L/R signal is NEO:6 processed by CS49329. When AAC input is used, the signal is muted. When NEO:6 decoding is used, the LFE signal is not output.

L/C/R/RL/RC/RRはCS49329によりNEO:6処理され、C/RL/RC/RRはSub DSP-DRAM経由で出力されます。MAIN L/R出力にはCS49329が選択されます。NEO:6のモードはCinema 6ch固定です。DD/dts入力時はYSS-938でデコード後、L/RをCS49329でNEO:6処理。AAC入力時はミュートされます。NEO:6デコード時は、LFEは出力されません。

Neo:6 (Auto)



(Shaded items not used in this example)

RX-V740/RX-V740RDS/DSP-AX740  
 RX-V640/RX-V640RDS/HTR-5660/DSP-AX640/DSP-AX640SE

#### 4. SPEAKERS SET

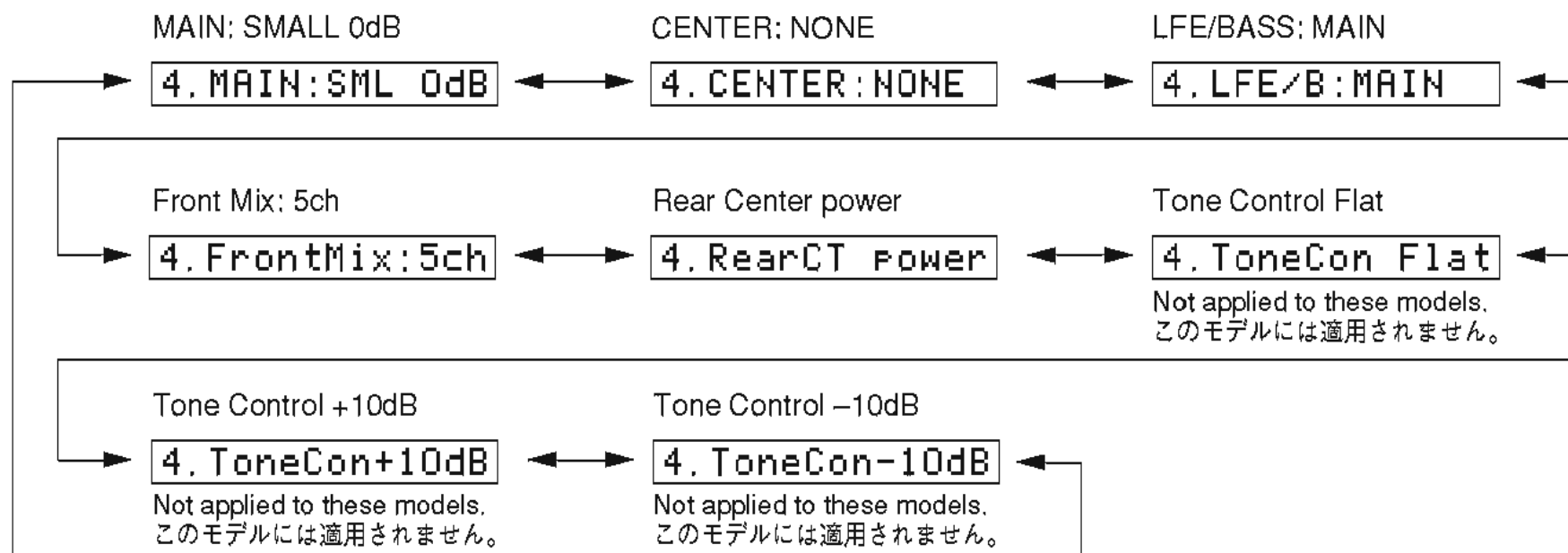
The input signal is automatically identified and switched in the priority order of dts → DOLBY DIGITAL → AAC → PCM AUDIO → Analog (A/D) according to the signal detection.

The signals output from the DSP block are the same as 1. DSP THROUGH; YSS 0dB.

#### 4. SPEAKERS SET

入力は信号検出によって、dts → DOLBY DIGITAL → AAC → PCM AUDIO → アナログ(A/D)の優先順で自動判別切り換えされます。

DSP部からは、No.1 DSP THROUGHのYSS 0dBと同様の信号が出力されます。



The analog switch settings for each sub-menu are as shown in the table below.

各サブメニューにおけるアナログスイッチの設定は以下の通りです。

Sub-menu	CENTER SP	REAR SP	MAIN SP	MAIN LEVEL	LFE/BASS
1 MAIN: SMALL 0dB	LARGE	LARGE	SMALL	0dB	SWFR
2 CENTER: NONE	NONE	LARGE	LARGE	0dB	BOTH
3 LFE/BASS: MAIN	SMALL	SMALL	LARGE	0dB	MAIN
4 FRONT MIX: 5CH	LARGE	LARGE	LARGE	0dB	BOTH
5 REAR CENTER: POWER	LARGE	LARGE	LARGE	0dB	BOTH

LARGE: This mode is used with a speaker with high bass reproduction performance (a large unit). Full bandwidth signals are output.

SMALL: This mode is used with a speaker with low bass reproduction performance (a small unit). The signals of 90Hz or less are mixed into the channel specified by LFE/BASS.

NONE: This mode is used with no center speaker. The center content is reduced by 3dB and distributed to MAIN L/R.

LARGE: 低音再生能力の高い(ユニットの大きい)スピーカーを使用するモードです。全帯域が出力されます。

SMALL: 低音再生能力の低い(ユニットの小さい)スピーカーを使用するモードです。90Hz以下がLFE/BASSで指定したチャンネルにミックスされます。

NONE: スピーカーを使用しないモードです。センター成分は-3dBされて、MAIN L/R に振り分けられます。

Sub-menu	Treble	Bass
6 Tone Control Flat	0 dB	0 dB
7 Tone Control +10dB	+10 dB	+10 dB
8 Tone Control -10dB	-10 dB	-10 dB

(Not applied to these models / このモデルには適用されません。)

(Not applied to these models / このモデルには適用されません。)

(Not applied to these models / このモデルには適用されません。)

Reference data  
 INPUT: DVD ANALOG (Both ch)

Sub-menu	Input level	Volume	SPEAKER OUTPUT (1kHz)				SUBWOOFER OUTPUT (50Hz)
			MAIN L/R	CENTER	REAR CENTER	RL/RR	
1 MAIN: SMALL 0dB	1kHz Both ch, -20 dBm	-10 dB	+15.5 dBm	- ∞	- ∞	- ∞	- ∞
2 CENTER: NONE	1kHz Both ch, -20 dBm	-10 dB	+11.4 dBm	+14.4 dBm	- ∞	- ∞	- ∞
3 LFE/BASS: MAIN	50Hz Both ch, -20 dBm	-10 dB	+26.5 dBm	- ∞	- ∞	- ∞	+8.9 dBm
4 Front Mix: 5ch	1kHz Both ch, -20 dBm	-10 dB	+21.0 dBm	- ∞	- ∞	- ∞	- ∞
5 Rear Center Power	1kHz Both ch, -20 dBm	-10 dB	- ∞	- ∞	+14.9 dBm	- ∞	- ∞

**5. MARGIN CHECK**

The signal is output including the head margin.

**MAIN 12dB MARGIN**

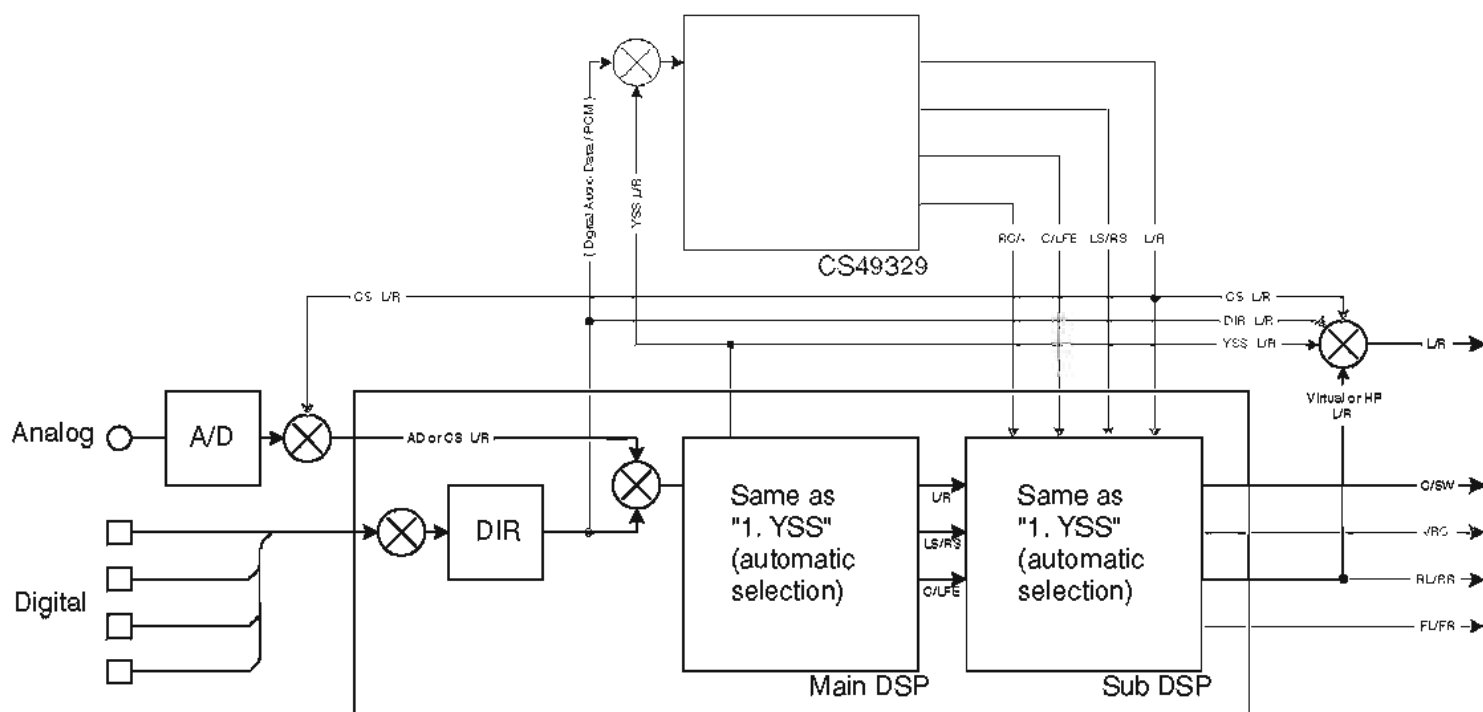
Reference data  
 INPUT: DVD ANALOG  
 SWFR: 50Hz, Others: 1kHz

Input level	Volume	SPEAKER OUTPUT (1kHz)				SUBWOOFER OUTPUT (50Hz)
		MAIN L/R	CENTER	REAR CENTER	RL/RR	
Both ch, -20 dBm	-10 dB	+15.3 dBm	- ∞	- ∞	- ∞	- ∞

**MAIN 18dB MARGIN**

Reference data  
 INPUT: DVD ANALOG  
 SWFR: 50Hz, Others: 1kHz

Input level	Volume	SPEAKER OUTPUT (1kHz)				SUBWOOFER OUTPUT (50Hz)
		MAIN L/R	CENTER	REAR CENTER	RL/RR	
Both ch, -20 dBm	-10 dB	+18.3 dBm	- ∞	- ∞	- ∞	- ∞



(Shaded items not used in this example)

RX-V740/RX-V740RDS/DSP-AX740  
 RX-V640/RX-V640RDS/HTR-5660/DSP-AX640/DSP-AX640SE

**6. OTHER INPUT**

The signal input through the 6CH INPUT terminals is output.

**EXTERNAL DECODER**

**6. EXTERNAL DEC**

Reference data  
 INPUT: 6CH INPUT  
 SWFR: 50Hz, Others: 1kHz

Input level	Volume	SPEAKER OUTPUT (1kHz)				SUBWOOFER OUTPUT (50Hz)
		MAIN L/R	CENTER	REAR CENTER	RL/RR	
Both ch, -20 dBm	-10 dB	+16.0 dBm	+14.8 dBm	-∞	+15.0 dBm	-7.6 dBm

**7. DISPLAY CHECK**

This program is used to check the FL display section. The display condition varies as shown below according to the sub-menu operation. The signals are processed using EFFECT OFF (The L/R signal is output using ANALOG MAIN BYPASS.)

Regarding internal/external synchronization selection of the image signals by the microprocessor control, the internal synchronization is selected when the initial display is provided and when all FL's light up and the external synchronization at any other time.

Also, except when the initial display is provided, 128 characters for confirmation of the OSD driver are displayed as the image output.

**6. OTHER INPUT**

6CH入力した信号が出力されます。

**EXTERNAL DECODER**

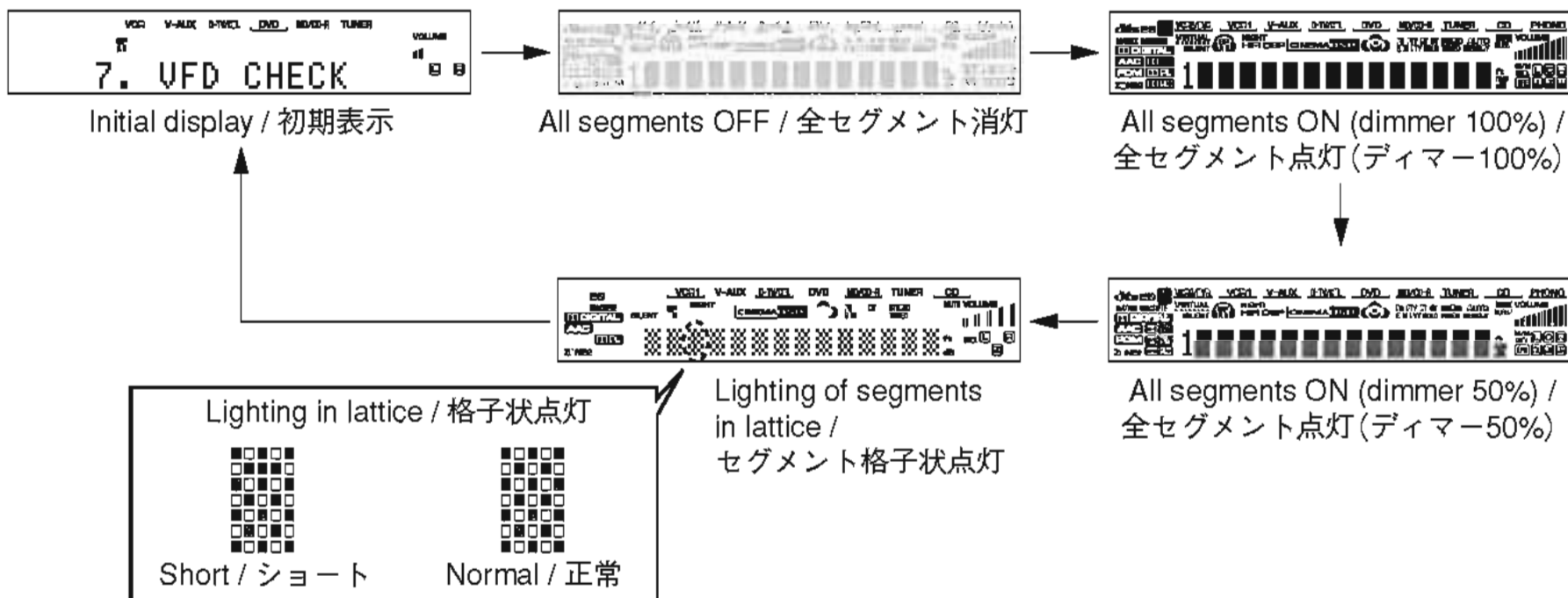
**7. DISPLAY CHECK**

FL表示部のチェックプログラムです。サブメニュー操作により、表示状態が以下のように変わります。

信号処理はEFFECT OFF (ANALOG MAIN BYPASSでL/Rを出力) です。

マイコン制御による映像信号の内部/外部同期切替は、初期表示とFL 全点灯時に内部同期となり、それ以外は強制外部同期となります。

また、初期表示以外で映像出力にOSDドライバ確認用128文字表示が出ます。



Segment conditions of the FL driver and the FL tube are checked by turning ON and OFF all segments. Next, the operation of the FL driver is checked by using the dimmer control. Then a short between segments next to each other is checked by turning ON and OFF all segments alternately (in lattice). (In the above example, the segments in the second row from the top are shorted.)

全セグメント消灯・全セグメント点灯によりFLドライバー、FL管のセグメントの不良を確認します。次に、ディマーコントロールによってFLドライバーの動作チェックを行います。さらに全セグメントを交互(格子状)に点灯/消灯することで、隣り合うセグメントのショートをチェックします。

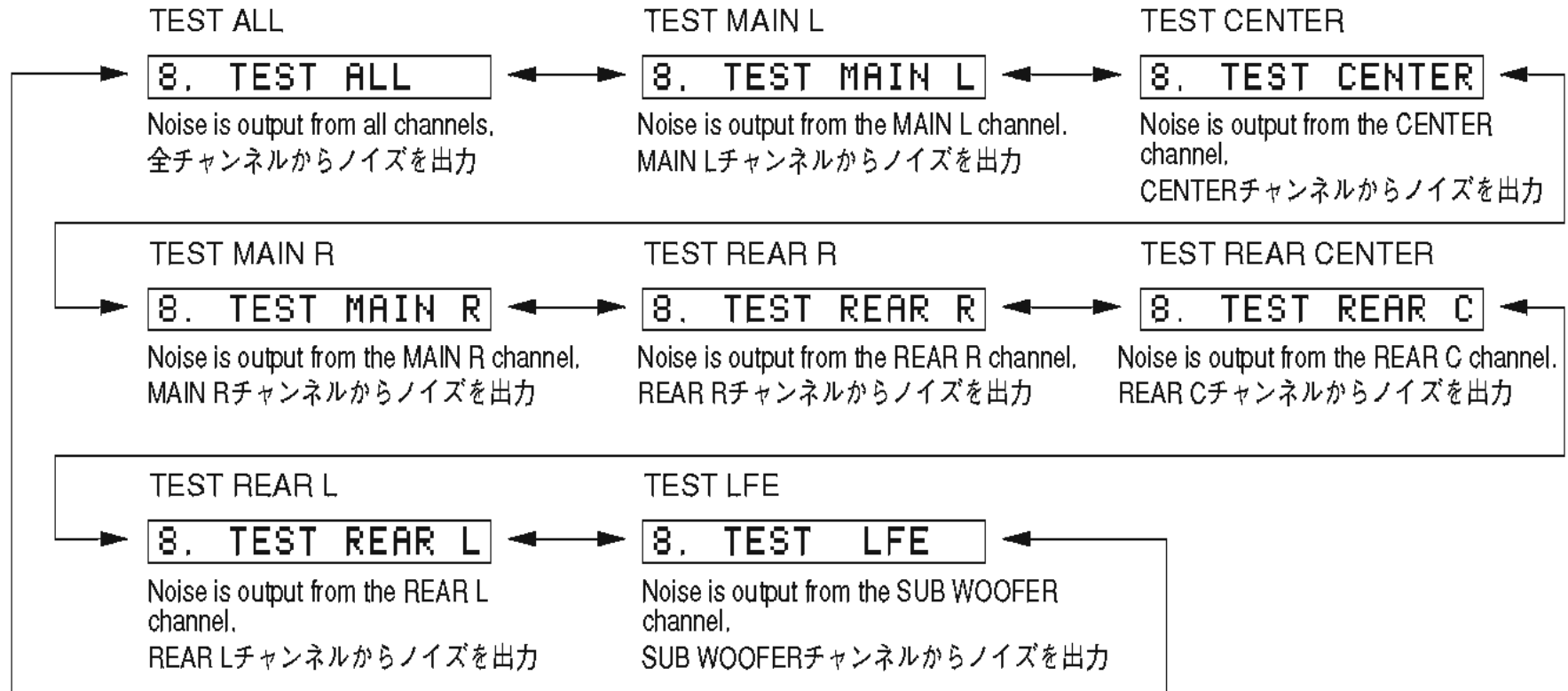


### 8. MANUAL TEST

The noise generator built into the DSP outputs the test noise through the channels specified by the sub-menu. The noise frequency for LFE is 35 to 250 Hz. Other than that, the center frequency is 800 Hz.

### 8. MANUAL TEST

DSP内蔵のノイズ発生回路によって、サブメニューで指定したチャンネルへテストノイズを出力します。LFE用のノイズ周波数は35~250Hz、それ以外は中心周波数800Hzとなります。



### 9. FACTORY PRESET

This menu is used to reserve and inhibit initialization of the back-up RAM. The signals are processed using EFFECT OFF. (The L/R signal is output using ANALOG MAIN BYPASS.)

### 9. FACTORY PRESET

バックアップ用RAM (音場プログラムのパラメーターやセットメニュー内容等)の初期化を予約/禁止します。信号処理はEFFECT OFFと同じです (ANALOG MAIN BYPASSで、L/Rを出力)。

9. PRESET INHI



9. PRESET RSRV

**PRESET INHIBIT** (Initialization inhibited) / **PRESET INHIBIT** (初期化禁止)

RAM initialization is not executed. Select this sub-menu to protect the values set by the user. RAMの初期化は行われません。ユーザーの設定値を保護するときは、こちらを選択してください。

**PRESET RESERVED** (Initialization reserved) / **PRESET RESERVED** (初期化予約)

Initialization of the back-up RAM is reserved. (Actually, initialization is executed the next time that the power is turned on.) Select this sub-menu to reset to the original factory settings or to reset the RAM. This sub-menu clears any protection history.

バックアップRAMの初期化が予約されます。(実際に初期化されるのは、次回の電源投入時です。)工場出荷時やRAMをリセットしたいときは、こちらを選択してください。

**CAUTION:** Before setting to the PRESET RESERVED, write down the existing preset memory content of the Tuner in a table as shown below. (This is because setting to the PRESET RESERVED will cause the user memory content to be erased.)

注意：PRESET RESERVEDを選んで初期化をする前に、チューナーのユーザーメモリー内容を下表に書き写してください。(初期化をすると、ユーザーメモリーの内容は消えてしまいます。)

Preset group	P1	P2	P3	P4	P5	P6	P7	P8
A								
B								
C								
D								
E								

・ PRESET STATIONS / プリセット局

STATION		FM FACTORY PRESET DATA (MHz)		
PAGE	NO.	U, C	R, T, K, A, B, G, L	J
A/C/E	1	87.5	87.5	76.0
	2	90.1	90.1	83.0
	3	95.1	95.1	84.0
	4	98.1	98.1	86.0
	5	107.9	108.0	90.0
	6	88.1	88.1	78.0
	7	106.1	106.1	88.0
	8	107.9	108.0	82.1

STATION		AM FACTORY PRESET DATA (kHz)		
PAGE	NO.	U, C, R, T, K	A, B, G, L	J
B/D	1	630	630	630
	2	1080	1080	1080
	3	1440	1440	1440
	4	530	531	531
	5	1710	1611	1611
	6	900	900	900
	7	1350	1350	1350
	8	1400	1404	1404

10. AD DATA CHECK/FAN TEST

This menu is used to display the A/D conversion value of the terminals which detects panel keys of the main unit and protection functions in % using the sub-menu. During signal processing, the condition before execution is maintained.

When K0/K1 menu is selected, keys become non-operable due to detection of the values of all keys. However, it is possible to advance to the next sub-menu by turning the VOLUME of the main unit. When using this function, note that turning the VOLUME more than 2 clicks will cause the volume value to change.

\* The figures in the diagram are given as reference only.

DC/PS (protection detection)

DC: DC protection value (Normal value: 7 to 100)  
 If DC is out of the normal value range, the protection function works to turn off the power.

PS: Power supply voltage protection value (Normal value: 28 to 47)  
 If PS is out of the normal value range, the protection function works to turn off the power.

DC: 98% PS: 38%

THM/Fan (temperature detection/fan drive level)

THM: 500% display of the voltage based on the temperature detected value. Reference voltage : 5V (Normal value: 30 to 147)

Fan: Current fan drive level on the left and the past fan drive history on the right.

THM: 98%5Fan\_/\_

REC-OUT

Not applied to these models.

REC-OUT:

10. AD DATA CHECK/FAN TEST

本体パネルキー、プロテクションなどを検出している端子のA/D変換の値を、サブメニューで%表示します。信号処理は実行前の状態を維持します。

K0/K1のメニューにすると、全キーの値を検出するためキー操作はできなくなりますが、本体のVOLUMEを回すことにより、次のサブメニューに進めることができます。このとき2クリック以上回すと、ボリューム値が変化するので注意してください。

※図中の数値は参考例です。

DC/PS (プロテクションの検出)

DC: DCプロテクションの値(正常値7~100)  
 DCは正常値を外れるとプロテクションが働き、電源オフされます。

PS: 電源電圧プロテクションの値(正常値28~47)  
 PSは正常値を外れるとプロテクションが働き、電源オフされます。

THM/Fan (温度検出/ファン駆動レベル)

THM: 温度検出値で電圧の500%表示、基準電圧は5V (正常値30~147)

Fan: 左側は現在のファン駆動レベル、右側は過去のファン駆動履歴

REC-OUT

このモデルには適用されません。

**IMP SW/POWER LIMIT** (Impedance/power limiter detection)

IMP: 8 or 4 ohm impedance switch setting  
PL: Power limiter detection value

The voltage value of pin No. 91 of IC601 is displayed, using 5V/256 as standard.

When the power is turned on, the setting of the impedance switch is automatically detected, using the input voltage value of pin No. 91 of IC601.

Input voltage value	0 - 550mV	551mV - 5V
Impedance switch setting	4 ohms	8 ohms

The port output is controlled by using the input voltage value of pin No. 91 of IC601.

When higher than VthH, the port output is changed from L to H.

When lower than VthL, the port output is changed from H to L.

Impedance	PORT	VthL	VthH
8/6 ohms	No.87	3.17V	3.69V
4 ohms	No.88	2.33V	2.85V

**IMP SW/POWER LIMIT** (インピーダンス/パワーリミッターの検出)

IMP: インピーダンスSW検出の値  
PL: パワーリミッター検出の値

IC601 91ピンの電圧値を5V/256を基準にして表示します。

IC601 91ピンの入力電圧値により、ポート出力を制御します。

VthHを越えた場合、ポート出力をLからHにします。

VthLを下回った場合、ポート出力をHからLにします。

PORT	VthL	VthH
No.87	2.90V	3.42V

IMP:8 PL:55%

**K0/K1** (Panel key of main unit)

A/D of the key fails to function properly when the standard value is deviated. In this case, check the constant of partial pressure resistor, solder condition, etc. Refer to table 1.

**K0/K1** (本体パネルキー)

キーのA/Dは基準値から外れると、正常な動きをしません。Table 1をご覧になり、各キーの分圧抵抗の定数、ハンダ不良等の確認をしてください。

K0:100%K1:100%

[Table 1]

Display (%)	K0	K1
0 - 6	SP A	INPUT MODE
7 - 13	SP B	6CH INPUT
14 - 21	STEREO	EDIT PRESET
22 - 31	◀ PROGRAM	FM/AM
32 - 41	PROGRAM ▶	TUNING MODE
42 - 53	PRESET PAGE	MEMORY
54 - 63	◀ PRESET/TUNING	PTY SEEK MODE
64 - 72	PRESET/TUNING ▶	PTY SEEK START
73 - 80	TONE SELECT	EON
81 - 88	TONE DOWN	RDS MODE
89 - 95	TONE UP	-

**FAN DRIVE TEST** (For models so equipped)

HIGH

**FAN DRIVE TEST** (ファン駆動テスト)

HIGH: ファン駆動強

FAN TEST:HIGH

**FAN DRIVE TEST** (For models so equipped)

MID

**FAN DRIVE TEST** (ファン駆動テスト)

MID: ファン駆動中

FAN TEST:MID

**FAN DRIVE TEST** (For models so equipped)

LOW

**FAN DRIVE TEST** (ファン駆動テスト)

LOW: ファン駆動弱

FAN TEST:LOW

### 11. IF STATUS (Input function status)

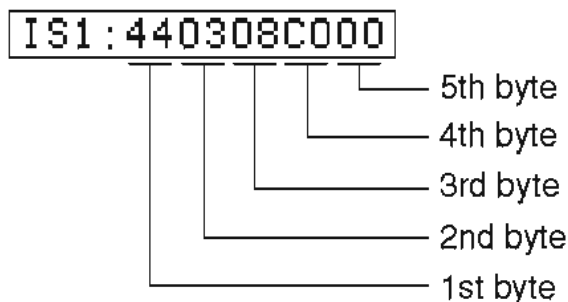
Using the sub-menu, the status data is displayed one after another in the hexadecimal notation.

During signal processing, the status before execution of this menu is maintained.

\* Numeric values in the figure example are for reference.

#### IS1, 2 (Internal status):

Indicates the status information of the microprocessor.



<1st byte> Digital input/output setting value  
 Upper 4 bits: REC OUT selected /  
 lower 4 bits: INPUT selected

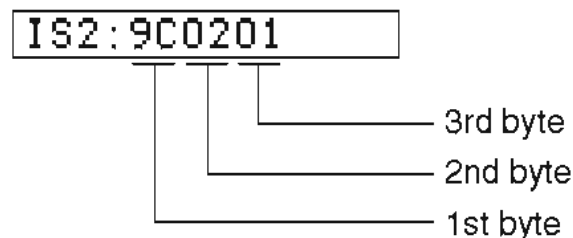
### 11. IF STATUS

サブメニュー操作により、以下のステータス情報を順次16進数で表示します。信号処理は、本メニュー実行前の状態を維持します。

※図中の数値は参考例です。

#### IS 1, 2 (内部ステータス):

マイコンのステータス情報を表示します。



<第1バイト>デジタル入出力設定値  
 上位4bit REC OUT選択 /  
 下位4bit INPUT選択

Value	Choice	Preset name
0	NONE	
1	OPTA	V-AUX
2	OPTB	MD/CD-R
3	OPTC	DVD
4	OPTD	D-TV/CBL
6	OPTF	
7	COAXA	CD
8	COAXB	

<2nd byte> Fs information of reproduction signal

<第2バイト>再生信号のFs情報

Display	00	01	02	03	04	05	06	0A	0B	0C	0D
Fs (kHz)	Analog	32	44.1	48	64	88.2	96	Unknown NRM	Unknown DBL	Unknown QUAD	Not defined

<3rd byte> Audio code mode information of reproduction signal

<第3バイト>再生信号のオーディオコードモード情報

Display	00	01	02	03	04	05	06	07	08	09	0A	0B	0C	0D
Audio Code	1+1	1/0	2/0	3/0	2/1	3/1	2/2	3/2	2/3	3/3	OVER 6.1	MULTI MONO	MULTI PGE	Unknown

<4th byte> Format information of reproduction signal

<第4バイト>再生信号のフォーマット情報

\*1: Analog processing used for digital reproduction is not possible because of a commercial bit or 4-ch audio reason.

\*1: 業務用ビットや4chオーディオなどの理由で、デジタル再生できずアナログ処理されます。

Display	Signal format
00	Analog (Unlock)
01	Incorrect digital (*1)
10	PCM Audio
20	Digital Data
21	IEC1937 Data
22	None PCM
23	Unknown
50	dts
51	Red dts
54	dts-ES MATRIX
58	dts-ES DISCRETE
5C	dts-ES (Both flag)
60	AAC
C0	Dolby Digital
C1	D.D. Karaoke
C4	D.D.6.1 (D.D.EX)

<5th byte> Signal processing status information

\*2: With digital signals other than 32kHz, 44.1kHz and 48kHz, through processing method is used for reproducible signals.

<第5バイト>信号処理ステータス情報

\*2: 32kHz、44.1kHz、48kHz以外のデジタル信号の場合、再生可能な信号についてはスルー処理されます。

bit7	MUTE request	bit3	-
bit6	Red dts flashing	bit2	Through & bypass (*2)
bit5	6.1/EX processing	bit1	-
bit4	FULL MUTE (ON: 1)	bit0	dts analog mute

**CS1-5:** Indicates channel status information of the input signal (IEC60958).

**CS 1-5:** 入力信号のIEC60958チャンネルステータス情報を表示します。

CS1:0299000200 ----- CS5:00000000

**BY1-4:** Indicates information of the bit stream included in the DOLBY DIGITAL signal.

**BY1-4:** DOLBY DIGITAL信号に含まれるビットストリームインフォメーション情報を表示します。

BY1:1E40E1301B ----- BY4:01FFFFFF

**BS1-5:** Indicates information of the bit stream included in the dts signal.

**BS1-5:** dts信号に含まれるビットストリームインフォメーション情報を表示します。

BS1:000070FFFF ----- BS5:C4

**YS1-3:** Indicates device status information of YSS938 (IC601).

**YS1-3:** YSS938 (IC601)のデバイスステータス情報を表示します

\* The numeric value in the figure is an example for reference.

※ 図中数値は参考例です。

YS1:FE02004F97

Byte No.	Function
1	YSS MUTE Reg
2	YSS MODE Reg
3	YSS IPORT BIT 7-0
4	YSS IPORT BIT 14-8
5	YSS OPORT

YS2:0101418000

Byte No.	Function
1	IEC 1937 Preamble Pc
2	Data Stream Reg
3	Status Reg
4	YSS ZERO Reg
5	MIREG

YS3:1A41803D

Byte No.	Function
1	DIR Status
2	DIR fs
3	DIR fs count
4	YSS ZEROBF

**SD:** CS49329 Unsolicited Messages (AUTODETECT\_RESPONSE)

**SD:** CS49329 Unsolicited Messages (AUTODETECT\_RESPONSE)

SD :000001

**MTT:** Mute Trigger

**MTT:** Mute Trigger

MTT:002000007

Byte No.	Function
1	Mute condition
2	Factor of the last mute
3	Error count of YSS938-FSCNT
4	Mute count by YSS938-FSCNT
5	Error factor of down load of CS49329

### 12. DSP RAM CHECK

This menu is used to self-diagnose whether or not the bus connection for the YSS938 and the external RAM is made properly.

During signal processing, the status before execution of this menu is maintained.

The address bus and the data bus are checked and the connection condition is displayed.

When no error is detected, "NoEr" appears on display.

#### YSS938 Bus Check

YSS BUS:NoEr

Display	Description
WAIT	Bus is being checked.
NoEr	No error detected.
DATA	Data bus shorted or open.
RSCS	/RAS or /CAS shorted, or open.
ADDR	Address bus shorted or open.

#### PLD/SRAM BUS CHECK

SD BUS:None

Display	Description
WAIT	Bus is being checked.
None	No error detected.
EDxx	Data bus shorted or open. (XX: 00-07)
EAXx	Address bus shorted or open. (XX: 00-0E)

### 13. SD DL CODE

This menu is used to display the data version of the FLASH ROM, TOC information and sum calculated value for the second decoder.

#### RDV

Displays the data version.

RDV:XXXXXXXX

#### TA 0-5

Displays the TOC information.

TA0:0502629A ----- TA5:FFFFFFFF

#### SA 0-5

Displays the sum calculated value.

SA0:984E984E ----- SA5:FFFFFFFF

### 12. DSP RAM CHECK

YSS938と外付けRAMとのバス接続の正否を自己診断します。

信号処理は、このメニューを実行する前の状態を維持します。

アドレスバス、データバスのチェックを行い、接続正否を表示します。

エラーが検出されなかった場合は、“NoEr”と表示されます。

#### YSS938 BUS CHECK

#### PLD/SRAM BUS CHECK

### 13. SD DL CODE

2ndデコーダ用FLASH ROMのデータバージョン、TOC情報およびサム算出値を表示します。

#### RDV

データバージョンを表示します。

#### TA 0-5

TOC情報を表示します。

#### SA 0-5

サム算出値を表示します。

#### 14. SOFT SW

This menu is used to switch the function settings on P.C.B. through the software so as to activate the product.

The protection function follows the P.C.B. settings. When connected to AC or in the maker preset state, the unit is initialized to the P.C. B. setting. Display of each function after initialization varies depending on settings on P.C.B. The operation mode can be changed by selecting the sub-menu and then using the EFFECT key. With SOF selected for the SW mode, the settings become effective.

**SW MODE:** PCB or SOFT can be selected.

14. SW : PCB

**MODEL SETTING:** V440, V540, AX640, V640 or V740 can be selected.

14. MODEL : V740

**TUNER DESTINATION:** J, UC, ALG or R can be selected.

14. DEST : UC

**TUNER:** NOT or EXIST can be selected.

14. TUNER : EXIST

**RDS:** NOT or EXIST can be selected.

14. RDS : NOT

**ZONE2:** NOT or EXIST can be selected.

14. ZONE2 : NOT

**VIDEO FORMAT:** NTSC or PAL can be selected.

14. VIDEO : PAL

#### 14. SOFT SW

P.C.B.上の機能設定をソフト的に切り替えて、製品を動作させる機能です。

プロテクション機能は、P.C.B.の設定に従います。AC接続またはメーカープリセットで、P.C.B.の設定に初期化されます。初期化後の各機能の表示は、P.C.B.上の設定によります。操作は、サブメニューを選んだ後、EFFECTキーで切り替えます。SWモードをSOFTにすると、設定が有効になります。

**SW MODE :** PCBまたはSOFTを選択できます。

**MODEL SETTING :** V440、V540、AX640、V640、V740のいずれかを選択できます。

**TUNER DESTINATION :** J、UC、ALG、Rのいずれかを選択できます。

**TUNER :** NOTまたはEXISTを選択できます。

**RDS :** NOTまたはEXISTを選択できます。

**ZONE2 :** NOTまたはEXISTを選択できます。

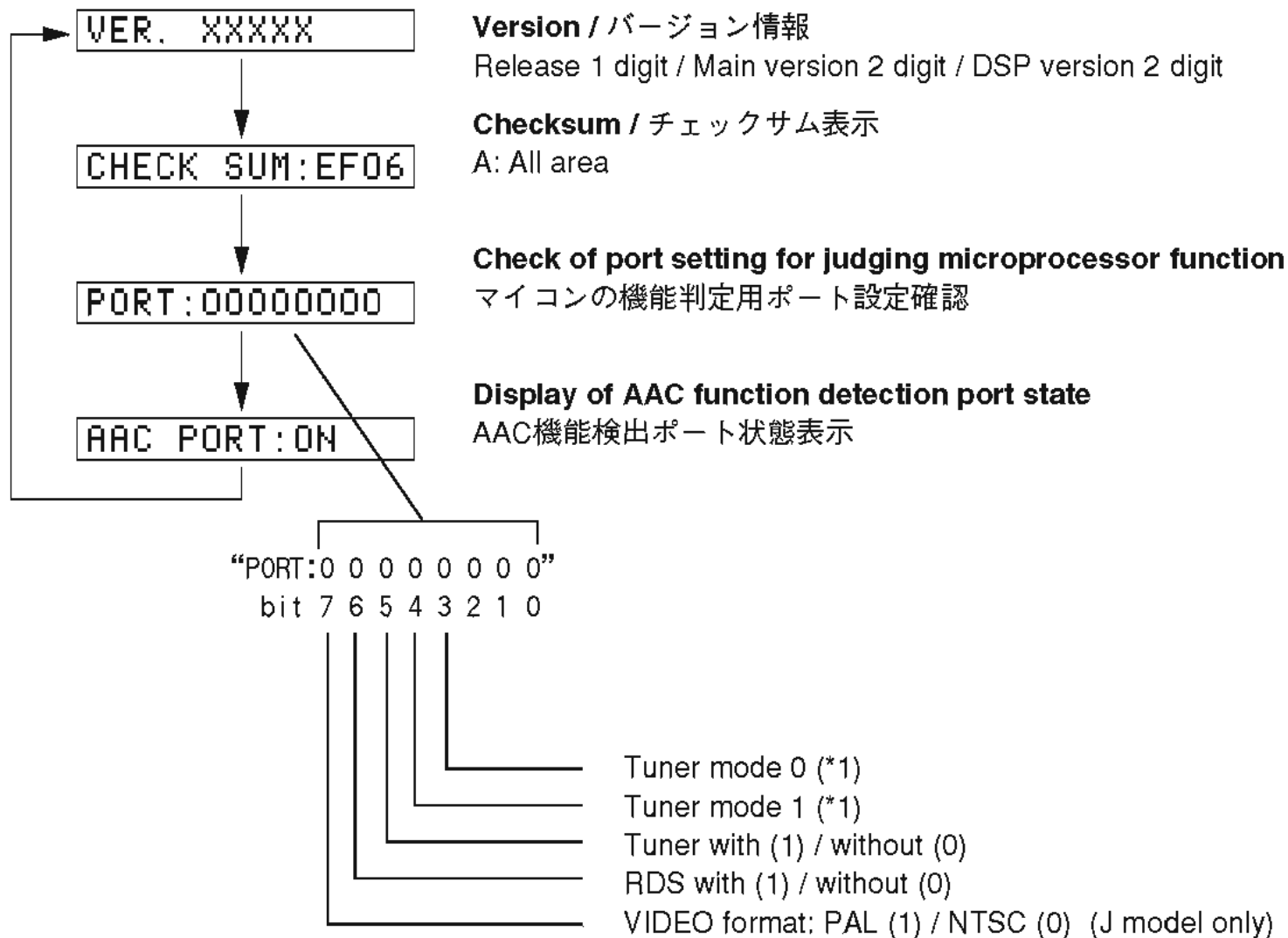
**VIDEO FORMAT :** NTSCまたはPALを選択できます。

**15. MICROPROCESSOR INFORMATION**

The version, checksum and the port specified by the microprocessor are displayed. The signal is processed using EFFECT OFF. The checksum is obtained by adding the data at every 8 bits for each program area and expressing the result as a 4-figure hexadecimal data.

**15. マイコン情報**

サブメニューは4つあります。  
 プログラムのバージョン、チェックサム、マイコンの指定ポートを表示します。  
 信号はエフェクトOFFです。チェックサムは、プログラムエリア別にデータを8ビットごとに加算していき、4桁の16進データで現したものです。



\*1

Type	Tuner mode		Port 3 (type 2)	Frequency range	
	1	0		FM	AM
0	0	0	—	76.0-90.0MHz / 100kHz	531-1611kHz / 9kHz
1	1	0	—	87.5-108.0MHz / 50kHz	531-1611kHz / 9kHz
2	0	1	—	87.5-107.9MHz / 200kHz	530-1710kHz / 10kHz
3	1	1	Low	87.5-108.0MHz / 100kHz	530-1710kHz / 10kHz
			High	87.5-108.0MHz / 50kHz	531-1611kHz / 9kHz



## ■ AMP ADJUSTMENT / アンプ部調整

### Confirmation of Idling Current of Main (1) P. C. B.

- Right after power is turned on, confirm that the voltage across the terminals of R164 (Main Lch), R168 (Main Rch), R181 (Center), R175 (Rear Lch), R177 (Rear Rch), R416 (Rear Cch) are between 0.1mV and 10.0mV.
- If it exceeds 10.0mV, open (cutoff) R109 (Main Lch), R116 (Main Rch), R136 (Center), R122 (Rear Lch), R129 (Rear Rch), R403 (Rear Cch) and reconfirm the voltage.

#### Attention

If the Idle current exceeds 10.0mV after an amplifier repair, first check for a defective component before cutting the bias resistor.

- Confirm that the voltage is 0.2mV ~ 15.0mV after 60 minutes.

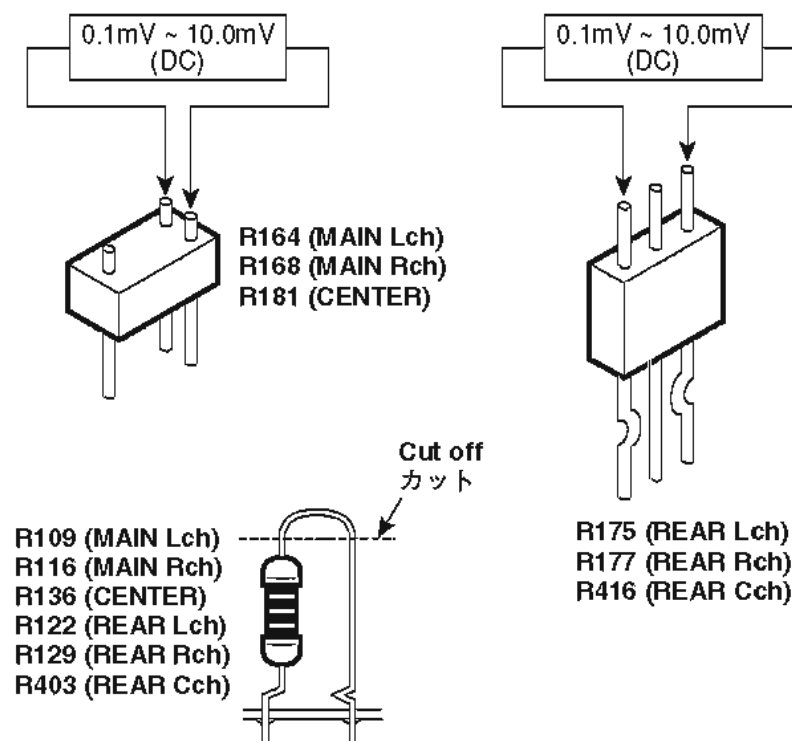
### メイン(1)基板のアイドリング電流の確認

- 電源投入直後、R164 (MAIN Lch)、R168 (MAIN Rch)、R181 (CENTER)、R175 (REAR Lch)、R177 (REAR Rch)、R416 (REAR Cch)の端子間電圧を測定し、0.1mVから10.0mVの間であることを確認してください。
- 電圧が10mVを超えている場合は、R109 (MAIN Lch)、R116 (MAIN Rch)、R136 (CENTER)、R122 (REAR Lch)、R129 (REAR Rch)、R403 (REAR Cch)をカットし、電圧を再確認してください。

#### 注意

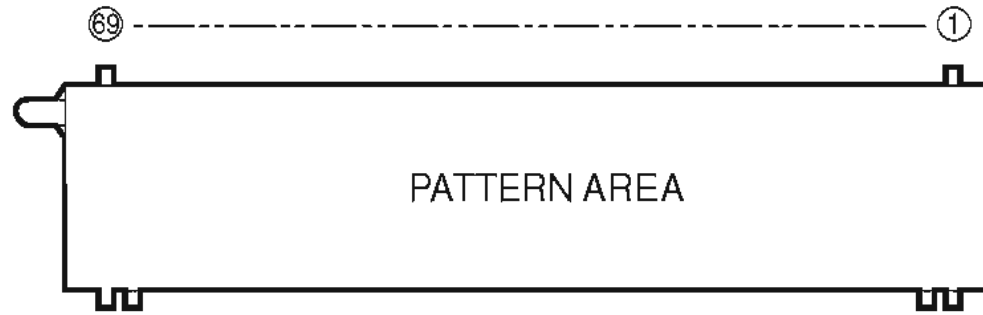
パワーアンプ修理後に10.0mVを超えている場合は、抵抗をカットする前に故障箇所を調べてください。

- 60分後、電圧が0.2mV～15.0mVであることを確認してください。



## ■ DISPLAY DATA

● V501 : 16-BT-108GNK (WA292900)



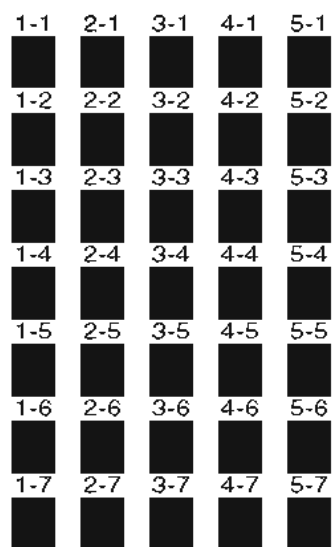
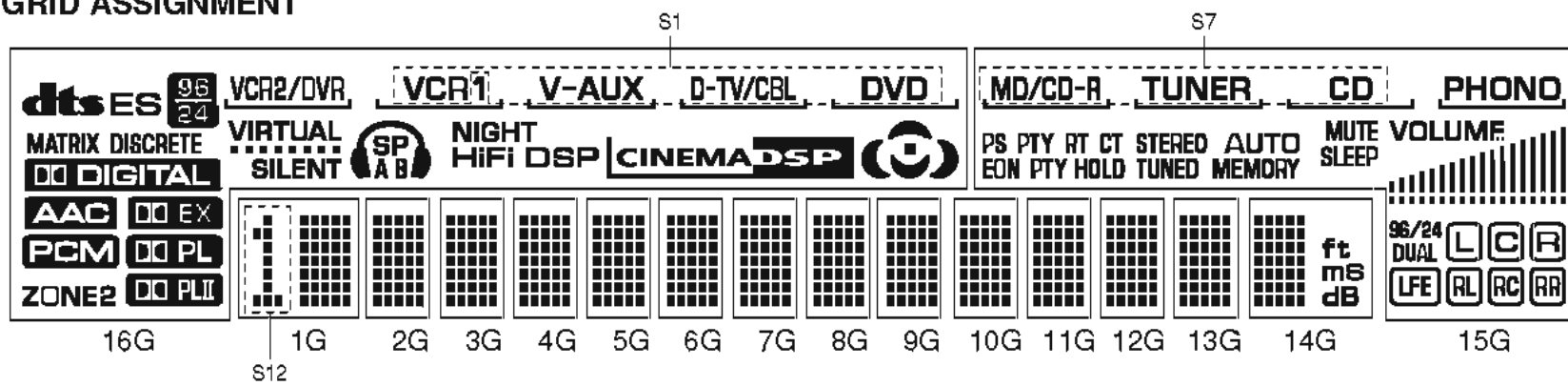
### ● PIN CONNECTION

Pin No.	69	68	67	66	65	64	63	62	61	60	59	58	57	56	55	54	53	52	51	50	49	48	47	46	45	44	43	42	41	40	39	38	37	36	35
Connection	F2	F2	NP	NP	P1	P2	P3	P4	P5	P6	P7	P8	P9	P10	P11	P12	P13	P14	P15	P16	P17	P18	P19	P20	P21	P22	P23	P24	P25	P26	P27	P28	P29	P30	P31

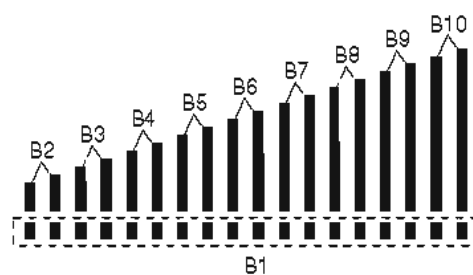
Pin No.	34	33	32	31	30	29	28	27	26	25	24	23	22	21	20	19	18	17	16	15	14	13	12	11	10	9	8	7	6	5	4	3	2	1
Connection	P32	P33	P34	P35	P36	P37	P38	NX	NX	NX	NX	NX	NX	NX	16G	15G	14G	13G	12G	11G	10G	9G	8G	7G	6G	5G	4G	3G	2G	1G	NP	NP	F1	F1

Note : 1) F1, F2 ..... Filament 2) NP ..... No pin 3) G1 ~ 16 ..... Grid 4) NX ..... No extened 5) P1 ~ 38 ..... Anode

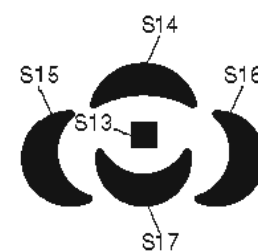
### ● GRID ASSIGNMENT



(1G~14G)



(15G)



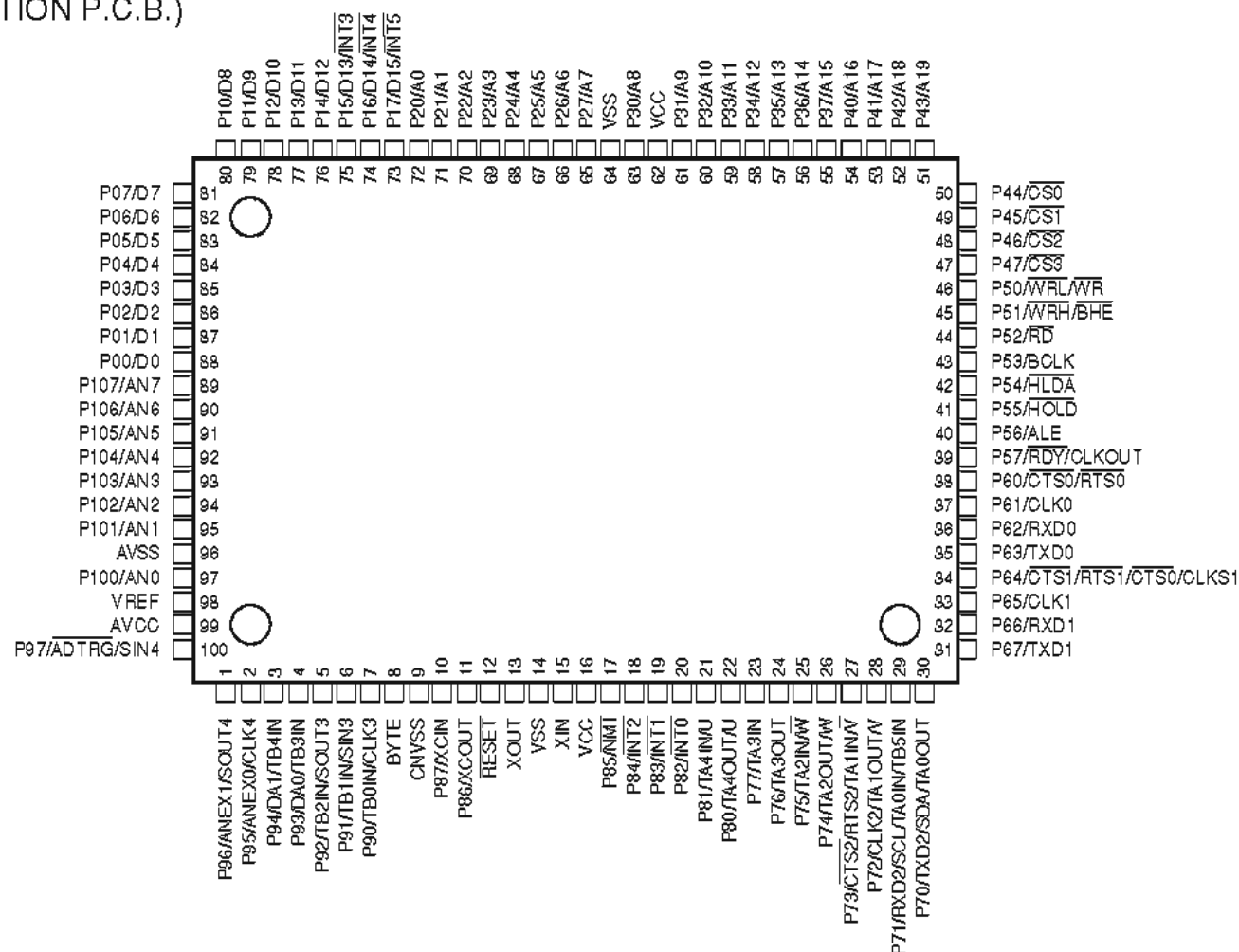
(16G)

● ANODE CONNECTION

	16G	15G	14G	13G~2G	1G
P1	<b>dts</b>	S7	1-1	1-1	1-1
P2	<b>ES</b>	<b>PHONO</b>	2-1	2-1	2-1
P3	<b>MATRIX</b>	<u>(MD/CD-R)</u>	3-1	3-1	3-1
P4	<b>DISCRETE</b>	<u>(TUNER)</u>	4-1	4-1	4-1
P5		<u>(CD)</u>	5-1	5-1	5-1
P6	<b>DIGITAL</b>	<u>(PHONO)</u>	1-2	1-2	1-2
P7	<b>EX</b>	<b>PS</b>	2-2	2-2	2-2
P8	<b>PL</b>	<b>PTY</b>	3-2	3-2	3-2
P9	<b>PLI</b>	<b>RT</b>	4-2	4-2	4-2
P10	<b>AAC</b>	<b>CT</b>	5-2	5-2	5-2
P11	<b>PCM</b>	<b>EON</b>	1-3	1-3	1-3
P12	<b>ZONE2</b>	<b>PTY HOLD</b>	2-3	2-3	2-3
P13	<b>VIRTUAL</b>	<b>STEREO</b>	3-3	3-3	3-3
P14	<b>SILENT</b>	<b>AUTO</b>	4-3	4-3	4-3
P15		<b>TUNED</b>	5-3	5-3	5-3
P16	<b>SP</b>	<b>MEMORY</b>	1-4	1-4	1-4
P17	<b>A</b>	<b>MUTE</b>	2-4	2-4	2-4
P18	<b>B</b>	<b>SLEEP</b>	3-4	3-4	3-4
P19	<b>HIFI DSP</b>	<b>VOLUME</b>	4-4	4-4	4-4
P20	<b>CINEMA DSP</b>	B1	5-4	5-4	5-4
P21	S13	B2	1-5	1-5	1-5
P22	S14	B3	2-5	2-5	2-5
P23	S15	B4	3-5	3-5	3-5
P24	S16	B5	4-5	4-5	4-5
P25	S17	B6	5-5	5-5	5-5
P26	S1	B7	1-6	1-6	1-6
P27	<u>VCR2/DVR</u>	B8	2-6	2-6	2-6
P28	(VCR) 1	B9	3-6	3-6	3-6
P29	<u>(VCR2/DVR)</u>	B10	4-6	4-6	4-6
P30	<u>(VCR1)</u>	<b>96/24</b>	5-6	5-6	5-6
P31	<u>(V-AUX)</u>	<b>DUAL</b>	1-7	1-7	1-7
P32	<u>(D-TV/CBL)</u>	<b>LFE</b>	2-7	2-7	2-7
P33	<u>(DVD)</u>	<b>L</b>	3-7	3-7	3-7
P34	<b>NIGHT</b>	<b>C</b>	4-7	4-7	4-7
P35	-	<b>F</b>	5-7	5-7	5-7
P36	-	<b>RL</b>	<b>ft</b>	-	S12
P37	-	<b>RC</b>	<b>ms</b>	-	-
P38	-	<b>RR</b>	<b>dB</b>	-	-

## IC DATA

IC601: M30626FHPFP (FUNCTION P.C.B.)  
 16bit  $\mu$ -COM (Main CPU)



No.	Port No.	Function name	I/O	Detail of function
1	SOUT4	DTFD	SO	FL Driver TxD
2	CLK4	CKFD	SCK	FL Driver CLOCK
3	P94	/BLK	O	FL Driver OFF
4	P93	ISA	I	Input Select Rotary A
5	SOUT3	SDM	SO	YSS938 TxD
6	SIN3	SDD	SI	YSS938 RxD
7	CLK3	YSSCK	SCK	YSS938 CLOCK
8	BYTE	BYTE	VSS	Vss: when single chip mode is used
9	CNV <sub>ss</sub>	CNV <sub>ss</sub>	Vss/Vcc	Vss: when single chip mode is used, Vcc: when flash writing is used
10	P87	CSY	O	YSS938 CE
11	P86	/ICD	O	YSS938/DA/AD/CODEC/DEM
12	RESET	RESET	I	Reset
13	Xout	Xout		Oscillator Out
14	Vss	Vss	Vss	$\mu$ -COM Ground
15	Xin	Xin	16MHz	Oscillator in
16	Vcc	Vcc	Vcc (BU)	$\mu$ -COM power supply, +5V
17	NMI	NMI	Vcc (BU)	Connect to Vcc because it is unused.
18	INT2	INT938	INT	YSS928 IPINT/MUTE/DIR
19	INT1	PSW	INT	Standby SW Input
20	INT0	REM1	INT	Remote Control Input
21	P81	ISB	I	Input Select Rotary B
22	TA4out	FAN	O	Fan Control
23	P77	/HP	I (IPU)	Headphone Detect
24	P76	VRA	I (IPU)	Volume Rotary A
25	P75	VRB	I (IPU)	Volume Rotary B
26	P74	CSN	O	Chip Select for DAC
27	P73	/ICCDK	O	CODEC Reset
28	CLK2	CKEV	SCK	Electronic Volume IC Clock
29	P71	CEEV	O (External PU)	Electronic Volume IC Enable
30	TXD2	DTEV	SO (External PU)	Electronic Volume IC Data
31	TXD1	TXDF	FLASH	Flash ROM Serial Write Data Transmission
32	RXD1	RXDF	FLASH	Flash ROM Serial Data Reception
33	CLK1	CLKF	FLASH	Flash ROM Serial Clock
34	P64	BSY	FLASH	Flash BUSY Signal Output
35	TXD0	CSR	SO	CS493x RxD
36	RXD0	CST	SI	CS493x TxD
37	CLK0	CSC	CLK	CS493x Clock
38	P60	/CEEEP	O	EEPROM CE
39	P57	SDTR	O	RDS/OSD TxD
40	P56	SDRR	SI/I (IPU)	RDS RxD / FREQSW (Dest R)
41			GND	For Flash Writing (LO)
42	P54	SCKR	SCK	RDS/OSD Clock
43	P53	/CSCS	O	CS493x CS

IC601: M30626FHPFP (FUNCTION P.C.B.)  
16bit  $\mu$ -COM (Main CPU)

No.	Port No.	Function name	I/O	Detail of function
44	P52	/ICCS	O	CS493x Reset
45	P51	/CSPLD	O	Digital External Control IC CE
46	P50	/CE	I	For Flash Writing (HI)
47	P47	CSINT	I/O	CS-DSP INT/ABOOT
48	P46	/MTMR	O	Mute Main/Rear, Pre Out
49	P45	/Z2MT	O	Zone 2 Mute
50	P44	/HPMT	O	Headphone Mute Output
51	P43	/MTSW	O	Mute LFE
52	P42	/MTCT	O	Mute Center
53	P41	ICEV	O	Electronic Volume Reset
54	P40	—	O	—
55	P37	ZONE2	O/I	Zone 2 Present/Absent Discriminate
56	P36	CKLC	O	S/P Convert IC Clock
57	P35	DTLC	O	S/P Convert IC Data
58	P34	CKBD	O	BD3841 Clock
59	P33	DTBD	O	BD3841 Data
60	P32	VIA	O	Video Selector A
61	P31	VIB	O	Video Selector B
62	Vcc	Vcc	Vcc (BU)	Microprocessor Power Supply, +5V
63	P30	VIC	O	Video Selector C
64	Vss	Vss	Vss	Microprocessor Ground
65	P27	/VR1	O	Video Rec Out Selector 1
66	P26	/VR2	O	Video Rec Out Selector 2
67	P25	CMP0	O	Component Selector 0
68	P24	CMP1	O	Component Selector 1
69	P23	YCSEP	O	Y/C Separation Select
70	P22	CES	O/I	OSD Enable/N_P Format
71	P21	I/E	O	External/Internal synchronize Output
72	P20	RDSE	O/I	RDS Enable, RDS Present/Absent
73	P17	CEP	O/I	PLL IC Enable/Destination Discriminate 1
74	INT4	PDET	INT	Power Down Detect INT
75	INT3	VSY	INT	Vertical synchronize Detect
76	P14	SCKP	O/I	PLL IC Clock/Destination Discriminate 0
77	P13	SDTP	O	PLL IC TxD
78	P12	SDRP	I (IPU)	PLL IC RxD
79	P11	TUNED	I (IPU)	Tuned
80	P10	/ST	I (IPU)	Tuner/ST
81	P07	TMT	O	Tuner Mute
82	P06	PRY	O	Power Relay Output
83	P05	ERY	O	Effect SP Relay Output
84	P04	MBRY	O	Main B SP Relay Output
85	P03	MARY	O	Main A SP Relay Output
86	P02	PRI	I	Protection Excess Current Detect
87	P01	RIMA	O	Power Limiter A
88	P00	RIMB	O	Power Limiter B
89	AN7	MODEL	AD	Connection Discriminate
90	AN6	PRD	AD	Protection DC Detect
91	AN5	PREMT	AD	Power Limiter Detect
92	AN4	THM	AD	Temperature Detect
93	AN3	/FAN	AD	Fan Drive Detect
94	AN2	ADKEY0	AD	Key AD Input 0
95	AN1	ADKEY1	AD	Key AD Input 1
96	Avss	Avss	Vss	AD Ground
97	AN0	PRV	AD	Protection Power Supply Voltage Detect
98	Vref	Vref	(+5v)	AD Reference
99	Avcc	Avcc	Vcc (BU)	AD Power Supply
100	P97	CEFD	O	FL Driver CE



IC601 : YSS938 (DSP P.C.B.)  
 DSP

No.	Name	I/O	Function
1	XO	O	Crystal oscillator connecting terminal
2	XI	I	Crystal oscillator connecting terminal (24.576MHz)
3	SEL1	I+	Built-in selector input 1 (AXD)
4	SEL0	I+	Built-in selector input 0 (GND)
5	SELOA	O+	Built-in selector output A (ISEL)
6	SELOB	O+	Built-in selector output B (RSEL)
7	TESTMS	I+	Test terminal (unconnected)
8	TESTXEN	I+	Test terminal (unconnected)
9	PORT0	I+	General purpose input terminal (CXDTA)
10	PORT1	I+	General purpose input terminal (CXDTB)
11	PORT2	I+	General purpose input terminal
12	PORT3	I+	General purpose input terminal
13	PORT4	I+	General purpose input terminal
14	DDIN0	Is	DIR: Digital audio interface data input terminal 0 (ISEL)
15	DDIN1	Is	DIR: Digital audio interface data input terminal 1/General purpose input terminal (Pull down)
16	DDIN2	Is	DIR: Digital audio interface data input terminal 2/General purpose input terminal (Pull down)
17	DDIN3	Is	DIR: Digital audio interface data input terminal 3/General purpose input terminal (Pull down)
18	VSS		Ground terminal
19	CPO	A	PLL filter connecting terminal
20	AVDD		+3.3V power terminal (for DIR)
21	DIRPCO	A	DIR: PLL filter connecting terminal
22	DIRPRO	A	DIR: PLL filter connecting terminal
23	AVSS		Ground terminal (for DIR)
24	TESTBRK	I+	Test terminal (unconnected)
25	TESTR1	I+	PLL initialization signal input terminal for DSP (/ICD)
26	TESTR2	I+	Test terminal (unconnected)
27	VDD1		+3.3V power terminal (for terminal section)
28	SDWCKI0	I+	Word clock input terminal for SDIA, SDOA, SDOB, SDOB interface (WCKG)
29	SDBCKI0	I+	Bit clock input terminal for SDIA, SDOA, SDOB, SDOB interface (BCKG)
30	/SDBCK0	O	DIRBCK or SDBCKI0 invert clock output terminal (Unconnected)
31	PORT8	I+	IPINT general purpose input terminal
32	PORT9	I+	IPINT general purpose input terminal (NONPCM)
33	PORT10	I+	IPINT general purpose input terminal (NONPCM)
34	PORT11	I+	IPINT general purpose input terminal (MUTE)
35	SDIA	I	AC-3/DTS bit stream (or PCM) data input terminal to Main DSP (SDIA)
36	SDOIA2	O	PCM output terminal from Main DSP (CLFE output)
37	SDOIA1	O	PCM output terminal from Main DSP (LS/RS output)
38	SDOIA0	O	PCM output terminal from Main DSP (L/R output)
39	SDIB3	I+	PCM input terminal 3 to Sub DSP
40	SDIB2	I+	PCM input terminal 2 to Sub DSP
41	SDIB1	I+	PCM input terminal 1 to Sub DSP
42	SDIB0	I+	PCM input terminal 0 to Sub DSP
43	VSS		Ground terminal
44	VDD2		+2.5V power terminal (for internal circuit)
45	PORT12	I+	IPINT general purpose input terminal (DIRINT)
46	PORT13	I+	IPINT general purpose input terminal (DBL)
47	PORT14	I+	IPINT general purpose input terminal (DBL)
48	DIRSDO	O	AC-3/DTS bit stream (or PCM) data output terminal from DIR
49	DIRWCK	O	DIR: Serial data word clock (fs) output terminal (WCK)
50	DIRBCK	O	DIR: Serial data bit clock (fs) output terminal (BCK)
51	DIRMCK	O	DIR: Serial data master clock (256fs or 128fs) output terminal (MCK)
52	ERR/BS	O	DIR: Data error detect output/block start output terminal (Unconnected)
53	SYNC/U	O	DIR: Serial data synchronous timing output/user data output terminal (Unconnected)
54	FS128/C	O	DIR: Serial data master clock 128fs output/channel status output terminal (FS128)
55	DBL/V	O	DIR: Double rate clock output/validity flag output terminal (DBL)

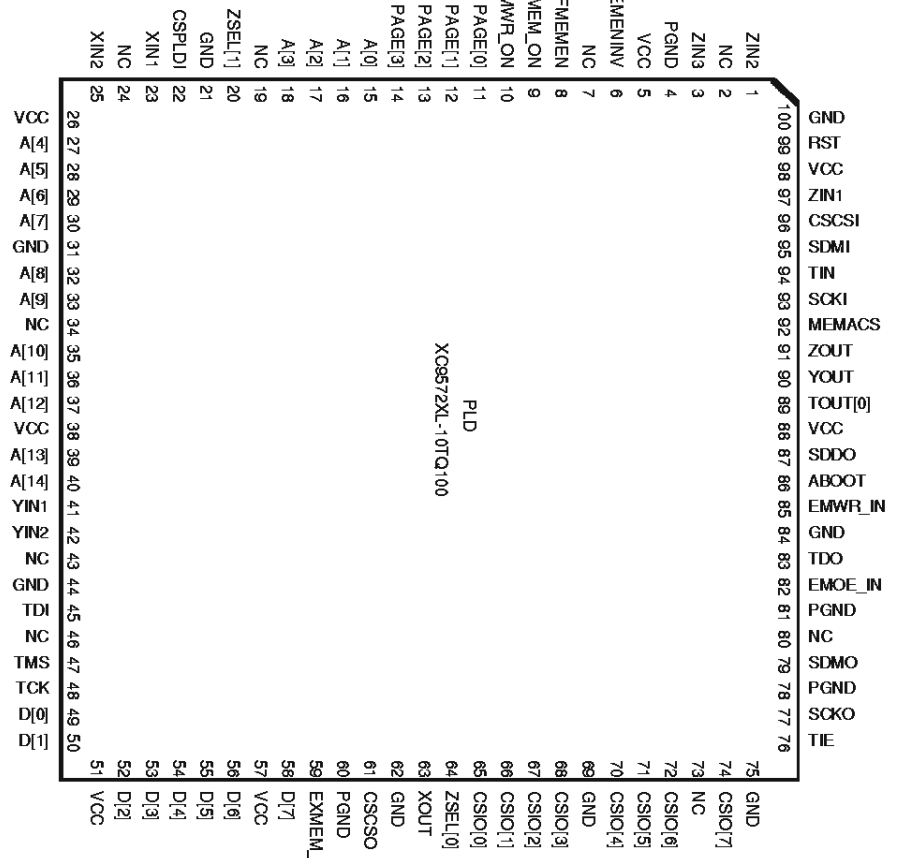
IC601 : YSS938 (DSP P.C.B.)  
 DSP

No.	Name	I/O	Function
56	SDWCKI1	I+	Word clock input terminal for SDIB, SDOB interface
57	SDBCKI1	I+	Bit clock input terminal for SDIB, SDOB interface (BCKG)
58	VSS		Ground terminal
59	SDOB3	O	PCM output terminal from Sub DSP
60	SDOB2	O	PCM output terminal from Sub DSP
61	SDOB1	O	PCM output terminal from Sub DSP
62	SDOB0	O	PCM output terminal from Sub DSP
63	VDD1		+3.3V power terminal (for terminal section)
64	ZEROBF3R	O+	SDOB3 Rch zero flag output terminal (ZF3R)
65	ZEROBF3L	O+	SDOB3 Lch zero flag output terminal (ZF3L)
66	ZEROBF2R	O+	SDOB2 Rch zero flag output terminal (ZF2R)
67	ZEROBF2L	O+	SDOB2 Lch zero flag output terminal (ZF2L)
68	OPORT0	O	General purpose output terminal (/RINH1)
69	OPORT1	O	General purpose output terminal (/RINH2)
70	OPORT2	O	General purpose output terminal (/ICDA)
71	OPORT3	O	General purpose output terminal (/ICAD)
72	OPORT4	O	General purpose output terminal (DPS)
73	OPORT5	O	General purpose output terminal (RST)
74	OPORT6	O	General purpose output terminal (ERROR)
75	OPORT7	O	General purpose output terminal (/PRST)
76	VSS		Ground terminal
77	VDD2		+2.5V power terminal (for internal circuit)
78	RAMD0	I/O	Sub DSP: External memory data terminal 0
79	RAMD1	I/O	Sub DSP: External memory data terminal 1
80	RAMD2	I/O	Sub DSP: External memory data terminal 2
81	RAMD3	I/O	Sub DSP: External memory data terminal 3
82	ZEROBF1R	O+	SDOB1 Rch zero flag output terminal (ZF1R)
83	ZEROBF1L	O+	SDOB1 Lch zero flag output terminal (ZF1L)
84	ZEROBF0R	O+	SDOB0 Rch zero flag output terminal (ZF0R)
85	ZEROBF0L	O+	SDOB0 Lch zero flag output terminal (ZF0L)
86	RAMD4	I/O	Sub DSP: External memory data terminal 4
87	RAMD5	I/O	Sub DSP: External memory data terminal 5
88	RAMD6	I/O	Sub DSP: External memory data terminal 6
89	RAMD7	I/O	Sub DSP: External memory data terminal 7
90	VSS		Ground terminal
91	VDD1		+3.3V power terminal (for terminal section)
92	RAMD8	I/O	Sub DSP: External memory data terminal 8
93	RAMD9	I/O	Sub DSP: External memory data terminal 9
94	RAMD10	I/O	Sub DSP: External memory data terminal 10
95	RAMD11	I/O	Sub DSP: External memory data terminal 11
96	RAMD12	I/O	Sub DSP: External memory data terminal 12
97	RAMD13	I/O	Sub DSP: External memory data terminal 13
98	RAMD14	I/O	Sub DSP: External memory data terminal 14
99	RAMD15	I/O	Sub DSP: External memory data terminal 15
100	CASN	O	Sub DSP: Column address strobe output terminal for external DRAM
101	RAMWEN	O	Sub DSP: Write enable terminal for external memory
102	RAMOEN	O	Sub DSP: Output enable terminal for external memory
103	RASN	O	Sub DSP: Low address strobe output terminal for external DRAM
104	VSS		Ground terminal
105	VDD1		+3.3V power terminal (for terminal section)
106	RAMA8	O	Sub DSP: External memory address terminal 8
107	RAMA7	O	Sub DSP: External memory address terminal 7
108	RAMA0	O	Sub DSP: External memory address terminal 0
109	RAMA6	O	Sub DSP: External memory address terminal 6
110	RAMA1	O	Sub DSP: External memory address terminal 1

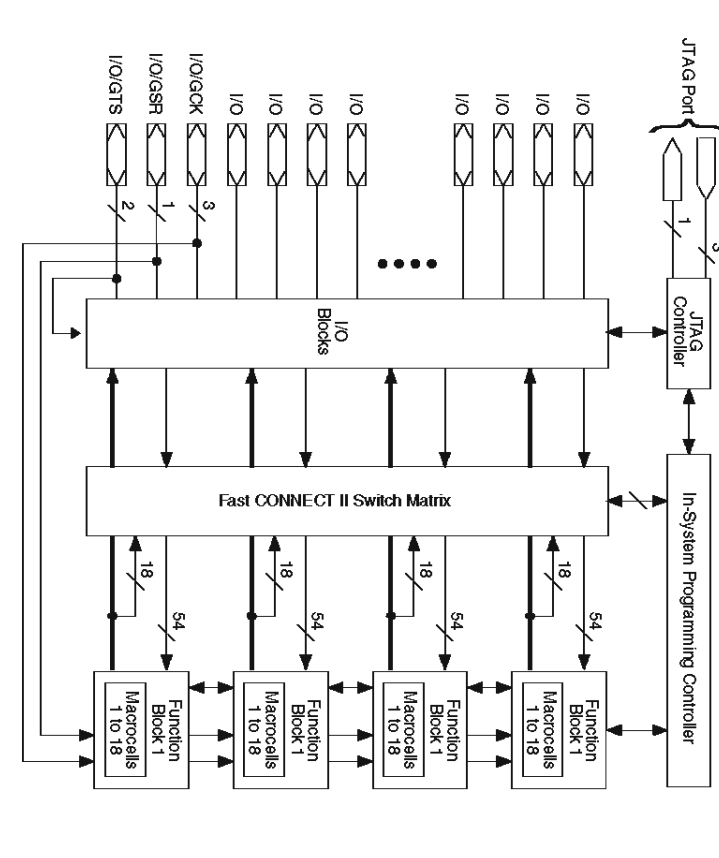
IC601 : YSS938 (DSP P.C.B.)  
 DSP

No.	Name	I/O	Function
111	RAMA5	O	Sub DSP: External memory address terminal 5
112	RAMA2	O	Sub DSP: External memory address terminal 2
113	SEL13	I+	Built-in selector input 13 (Unconnected)
114	SEL12	I+	Built-in selector input 12 (Unconnected)
115	SEL11	I+	Built-in selector input 11 (Unconnected)
116	SEL10	I+	Built-in selector input 10 (Unconnected)
117	SEL9	I+	Built-in selector input 9 (Unconnected)
118	RAMA4	O	Sub DSP: External memory address terminal 4
119	RAMA3	O	Sub DSP: External memory address terminal 3
120	RAMA9	O	Sub DSP: External memory address terminal 9 (Unconnected)
121	RAMA10	O	Sub DSP: External memory address terminal 10 (Unconnected)
122	RAMA11	O	Sub DSP: External memory address terminal 11 (Unconnected)
123	VSS		Ground terminal
124	VDD2		+2.5V power terminal (for internal circuit)
125	SEL18	I+	Built-in selector input 8 (CXA)
126	SEL17	I+	Built-in selector input 7 (GND)
127	SEL16	I+	Built-in selector input 6 (OPTF)
128	SEL15	I+	Built-in selector input 5 (Unconnected)
129	RAMA12	O	Sub DSP: External memory address terminal 12 (Unconnected)
130	RAMA13	O	Sub DSP: External memory address terminal 13 (Unconnected)
131	RAMA14	O	Sub DSP: External memory address terminal 14 (Unconnected)
132	RAMA15	O	Sub DSP: External memory address terminal 15 (Unconnected)
133	RAMA16	O	Sub DSP: External memory address terminal 16 (Unconnected)
134	RAMA17	O	Sub DSP: External memory address terminal 17 (Unconnected)
135	OVFB/END	O	Sub DSP: Overflow/program end detect terminal (Unconnected)
136	ZEROF LG	O	Main DSP: Zero flag output terminal (Unconnected)
137	VSS		Ground terminal
138	NONPCM	O	Main DSP: Non-PCM data detect terminal
139	DTSDATA	O	Main DSP: DTS data detect terminal (Unconnected)
140	AC3DATA	O	Main DSP: AC3 data detect terminal (Unconnected)
141	MUTE	O	Main DSP: Auto mute detect terminal
142	KARAOKE	O	Main DSP: AC3 KARAOKE data detect terminal (Unconnected)
143	VDD1		+3.3V power terminal (for terminal section)
144	SURENC	O	Main DSP: AC-3 2/0 mode Dolby surround encode input detect terminal (Unconnected)
145	CRC	O	Main DSP: AC3 CRC error detect terminal (Unconnected)
146	/LOCK	O	DIR: PLL lock detect terminal (Unconnected)
147	DIRINT	O	DIR: Interrupt output terminal
148	/CS	I+	Microprocessor interface chip select input terminal
149	SO	O+	Microprocessor interface data output terminal
150	SI	I+	Microprocessor interface data input terminal
151	SCK	I+	Microprocessor interface clock input terminal
152	/IC	I+	Initial clear input terminal
153	IPINT	O+	Interrupt output terminal by IPORT 8-14
154	SEL4	I+	Built-in selector input 4 (OPTD)
155	VSS		Ground terminal
156	SEL3	I+	Built-in selector input 3 (OPTC)
157	SEL2	I+	Built-in selector input 2 (OPTB)
158	TESTXI	I	Test terminal (should be always connected to VSS)
159	TESTXO	O	Test terminal (Unconnected)
160	VDD2		+2.5V power terminal (for internal circuit)

IC608 : XC9527XL-100100 (DSP P.C.B.)  
 PLD



I+: Schmitt trigger input terminal  
 I+: Input terminal with pull-up resistor  
 O: Digital output terminal  
 O+: 3-state digital output terminal  
 A: Analog terminal





IC608 : XC9527XL-100100 (DSP P.C.B.)

PLD

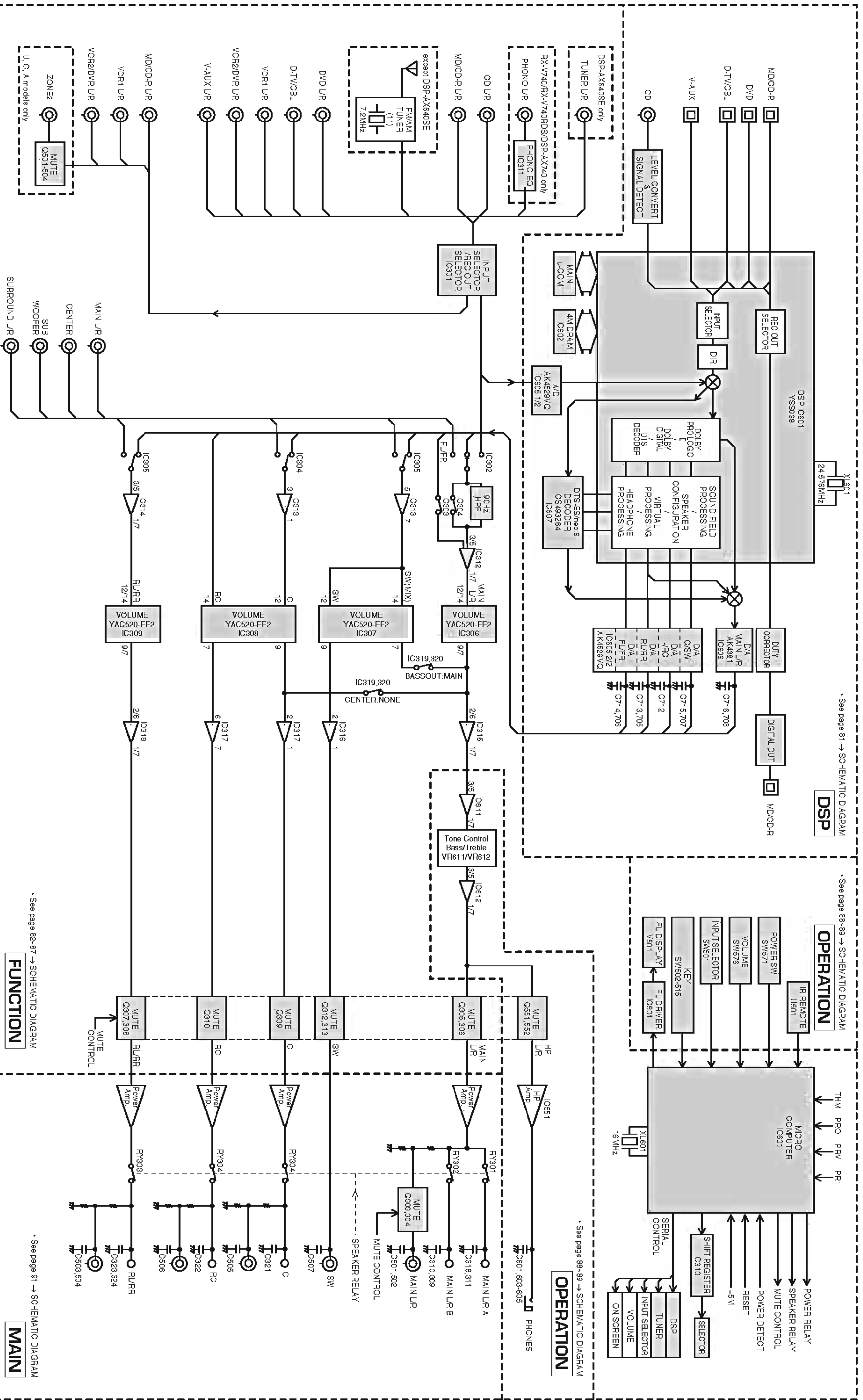
NO.	端子名	信号線名称	I/O	機 能
1	ZIN2	SDIB0	IN	MAIN DAC "SDATA" 用セレクタ入力端子 : AUDATA0(tout出力)
2	N.C.			N.C.
3	ZIN3	SDOAO	IN	MAIN DAC "SDATA" 用セレクタ入力端子 : SDOAO
4	PGND			電源 (0V)
5	VCC			電源 (+3.3V)
6	FMEMINIV	FMEINIV	OUT	SRAMチップセレクタ
7	N.C.			N.C.
8	FMEMEN	FMEMEN	OUT	Flash Memory チップセレクタ
9	EXMEM_ON	/EMOE	OUT	外部メモリ用 Output Enable出力
10	EMWR_ON	/EMWE	OUT	外部メモリ用 Write Enable出力
11	PAGE[0]	PAGE[0]	OUT	Flash Memory Page Select (上位アドレスバスに接続)
12	PAGE[1]	PAGE[1]	OUT	Flash Memory Page Select (上位アドレスバスに接続)
13	PAGE[2]	PAGE[2]	OUT	Flash Memory Page Select (上位アドレスバスに接続)
14	PAGE[3]	PAGE[3]	OUT	Flash Memory Page Select (上位アドレスバスに接続)
15	A[0]	EMA[0]	OUT	外部メモリ用アドレスバス
16	A[1]	EMA[1]	OUT	外部メモリ用アドレスバス
17	A[2]	EMA[2]	OUT	外部メモリ用アドレスバス
18	A[3]	EMA[3]	OUT	外部メモリ用アドレスバス
19	N.C.			N.C.
20	ZSEL[1]	ZSEL[1]	IN	MAIN DAC "SDATA" 用セレクタ制御信号入力端子 00 : zout = GND 10 : zout = AUDATO 01 : zout = SDOB3 11 : zout = SDOAO
21	GND			電源 (0V)
22	CSPLDI	/CS595	IN	PLD用チップセレクタ (Lowアクティブ)
23	XIN1	SDAO	IN	YSS938 "SDIB0" 用セレクタ入力端子 : SDAO(ADC出力信号)
24	N.C.			N.C.
25	XIN2	SDIB0	IN	YSS938 "SDIB0" 用セレクタ入力端子 : AUDATA0(tout出力)
26	VCC			電源 (+3.3V)
27	A[4]	EMA[4]	OUT	外部メモリ用アドレスバス
28	A[5]	EMA[5]	OUT	外部メモリ用アドレスバス
29	A[6]	EMA[6]	OUT	外部メモリ用アドレスバス
30	A[7]	EMA[7]	OUT	外部メモリ用アドレスバス
31	GND			電源 (0V)
32	A[8]	EMA[8]	OUT	外部メモリ用アドレスバス
33	A[9]	EMA[9]	OUT	外部メモリ用アドレスバス
34	N.C.			N.C.
35	A[10]	EMA[10]	OUT	外部メモリ用アドレスバス
36	A[11]	EMA[11]	OUT	外部メモリ用アドレスバス
37	A[12]	EMA[12]	OUT	外部メモリ用アドレスバス
38	VCC			電源 (+3.3V)
39	A[13]	EMA[13]	OUT	外部メモリ用アドレスバス
40	A[14]	EMA[14]	OUT	外部メモリ用アドレスバス
41	YIN1	DIRSDO	IN	CS49329 "SDATAN" 用セレクタ入力端子 : DIRSDO
42	YIN2	SDOAO	IN	CS49329 "SDATAN" 用セレクタ入力端子 : SDOAO
43	N.C.			N.C.
44	GND			電源 (0V)
45	TDI			Test Data In
46	N.C.			N.C.
47	TMS			Test Mode Select
48	TCK			Test Clock
49	D[0]	EMD[0]	I/O	外部メモリ用 Data バス
50	D[1]	EMD[1]	I/O	外部メモリ用 Data バス
51	VCC			電源 (+3.3V)
52	D[2]	EMD[2]	I/O	外部メモリ用 Data バス
53	D[3]	EMD[3]	I/O	外部メモリ用 Data バス

IC608 : XC9527XL-100100 (DSP P.C.B.)

PLD

NO.	端子名	信号線名称	I/O	機 能
54	D[4]	EMD[4]	I/O	外部メモリ用 Data バス
55	D[5]	EMD[5]	I/O	外部メモリ用 Data バス
56	D[6]	EMD[6]	I/O	外部メモリ用 Data バス
57	VCC			電源 (+3.3V)
58	D[7]	EMD[7]	I/O	外部メモリ用 Data バス
59	EXMEM_IN	/EXM2	IN	External Memory OUT Enable from CS49329
60	PGND			電源 (0V)
61	CSCSO	/CSCS3	OUT	CS49329用チップセレクタ出力 (cscslのスルー)
62	GND			電源 (0V)
63	XOUT	SDIA	OUT	YSS938 "SDIA" 用セレクタ出力端子
64	ZSEL[0]	ZSEL[0]	IN	MAIN DAC "SDATA" 用セレクタ制御信号入力端子 00 : zout = GND 01 : zout = SDOB3
65	CSIO[0]	GPIO[0]	I/O	CS49329 GPIO バス
66	CSIO[1]	GPIO[1]	I/O	CS49329 GPIO バス
67	CSIO[2]	GPIO[2]	I/O	CS49329 GPIO バス
68	CSIO[3]	GPIO[3]	I/O	CS49329 GPIO バス
69	GND			電源 (0V)
70	CSIO[4]	GPIO[4]	I/O	CS49329 GPIO バス
71	CSIO[5]	GPIO[5]	I/O	CS49329 GPIO バス
72	CSIO[6]	GPIO[6]	I/O	CS49329 GPIO バス
73	N.C.			N.C.
74	CSIO[7]	GPIO[7]	I/O	CS49329 GPIO バス
75	GND			電源 (0V)
76	PGND			電源 (0V)
77	SCKO	SCK3	OUT	DSPチップバス(CS49329/YSS938)へのSerial Clock出力
78	PGND			電源 (0V)
79	SDMO	SDM3	OUT	DSPチップバス(CS49329/YSS938)へのSerial Data出力
80	N.C.			N.C.
81	PGND			電源 (0V)
82	EMOE_IN	/EMOE2	IN	External Memory Enable(latch clock) from CS49329
83	TDO			Test Data Out
84	GND			電源 (0V)
85	EMWR_IN	/EMWE2	IN	External Memory Write Enable from CS49329
86	ABO0T	ABO0T	OUT	CS49329 Auto Boot出力 (Low or Hi-z出力)
87	SDDO	SDDO	OUT	PLDからマイコンへの Serial Data出力。 Read Data 送信時以外は Hi-Z
88	VCC			電源 (+3.3V)
89	TOU[0]	SDIB0	OUT	CS49329 "AUDATA0" のスルー出力端子。
90	YOUT	SDATAN	OUT	CS49329 "SDATAN" 用セレクタ出力端子
91	ZOUT	SDATA	OUT	MAIN DAC "SDATA" 用セレクタ出力端子
92	MEMACS	MEMACS	IN	マイコンシリアルデータのモード切替信号入力 (H : マイコンシリアルをメモリ用アドレスに使用)
93	SCKI	SCK	IN	マイコンからのSerial Clock入力
94	TIN	AUDATA0	IN	CS49329 "AUDATA0" の入力端子。信号は、スルーでtout端子から出力される。
95	SDMI	SDM	IN	マイコンからのSerial Data入力
96	CSCSI	/CSCS	IN	CS49329用チップセレクタ信号入力
97	ZIN1	SDOB3	IN	MAIN DAC "SDATA" 用セレクタ入力端子 : SDOB3
98	VCC			電源 (+3.3V)
99	RST	/ICD	IN	PLDシステムリセット (Low→リセット)
100	GND			電源 (0V)

**BLOCK DIAGRAM (1/2)**



See page 91 → SCHEMATIC DIAGRAM

See page 89-98 → SCHEMATIC DIAGRAM

See page 82-87 → SCHEMATIC DIAGRAM

See page 91 → SCHEMATIC DIAGRAM

**FUNCTION**

**MAIN**



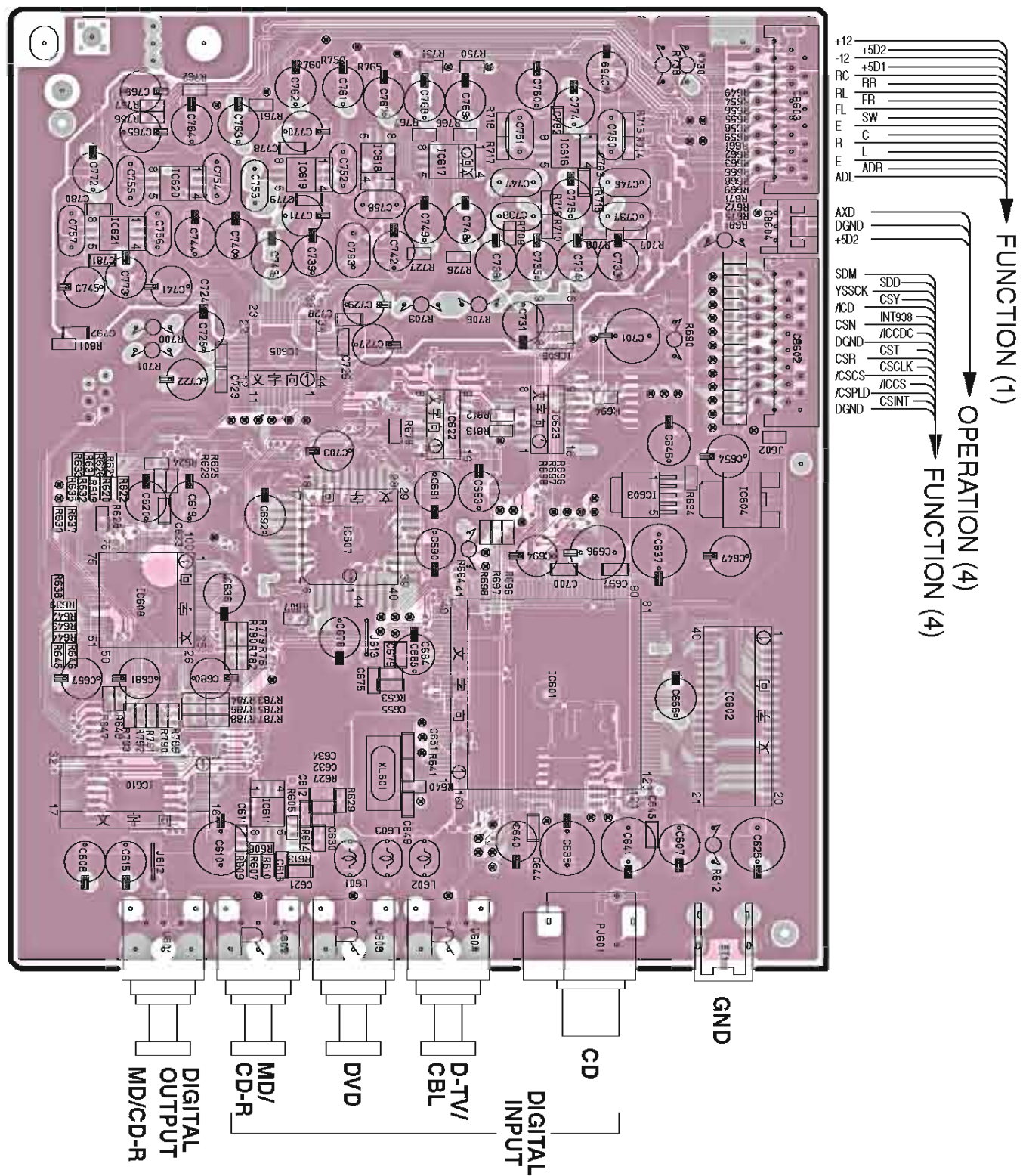


A B C D E F G H I J

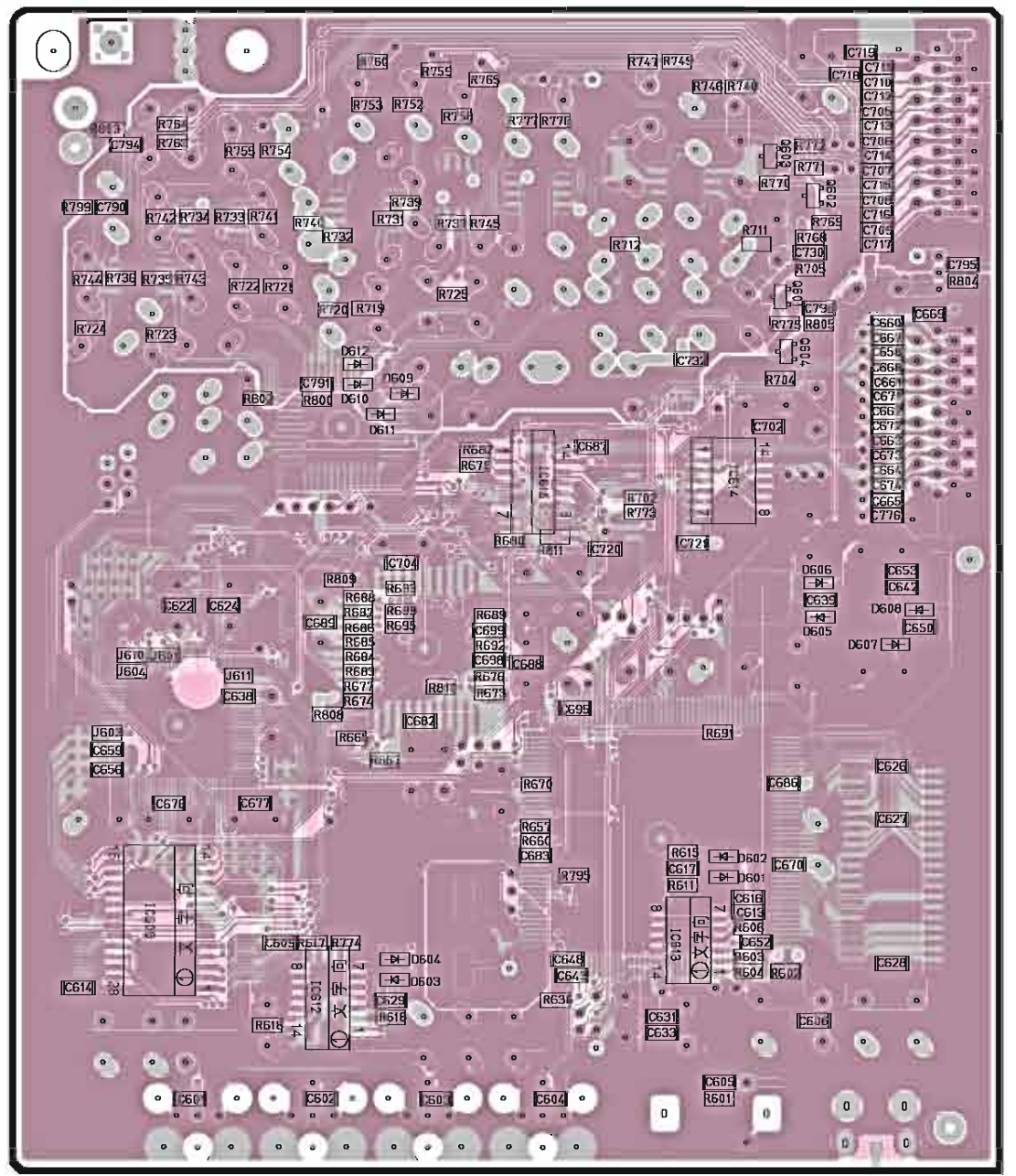
RX-V740/RX-V740RDS/DSP-AX740  
 RX-V640/RX-V640RDS/HTR-5660/DSP-AX640/DSP-AX640SE

PRINTED CIRCUIT BOARD (Foil side)

DSP P.C.B. (Lead Type Device)



DSP P.C.B. (Surface Mount Device)



Semiconductor Location

Ref. No.	Location	Ref. No.	Location	Ref. No.	Location	Ref. No.	Location	Ref. No.	Location	Ref. No.	Location
D601	I3	D608	H3	IC603	C3	IC610	D6	IC617	A4	Q601	G3
D602	I3	D609	H5	IC604	C3	IC611	D5	IC618	A4	Q602	G3
D603	J5	D610	H5	IC605	B5	IC612	J5	IC619	B5	Q603	G3
D604	J5	D611	H5	IC606	B4	IC613	J4	IC620	B5	Q604	G3
D605	H3	D612	G5	IC607	C5	IC614	H3	IC621	B6		
D606	H3	IC601	D4	IC608	C5	IC615	H4	IC622	C4		
D607	H3	IC602	D3	IC609	J6	IC616	A4	IC623	C4		

Original No.	J	U. O. R. T. K. A. B. G. L.
F735	X	O

X: NOT USED  
 O: USED/ APPLICABLE





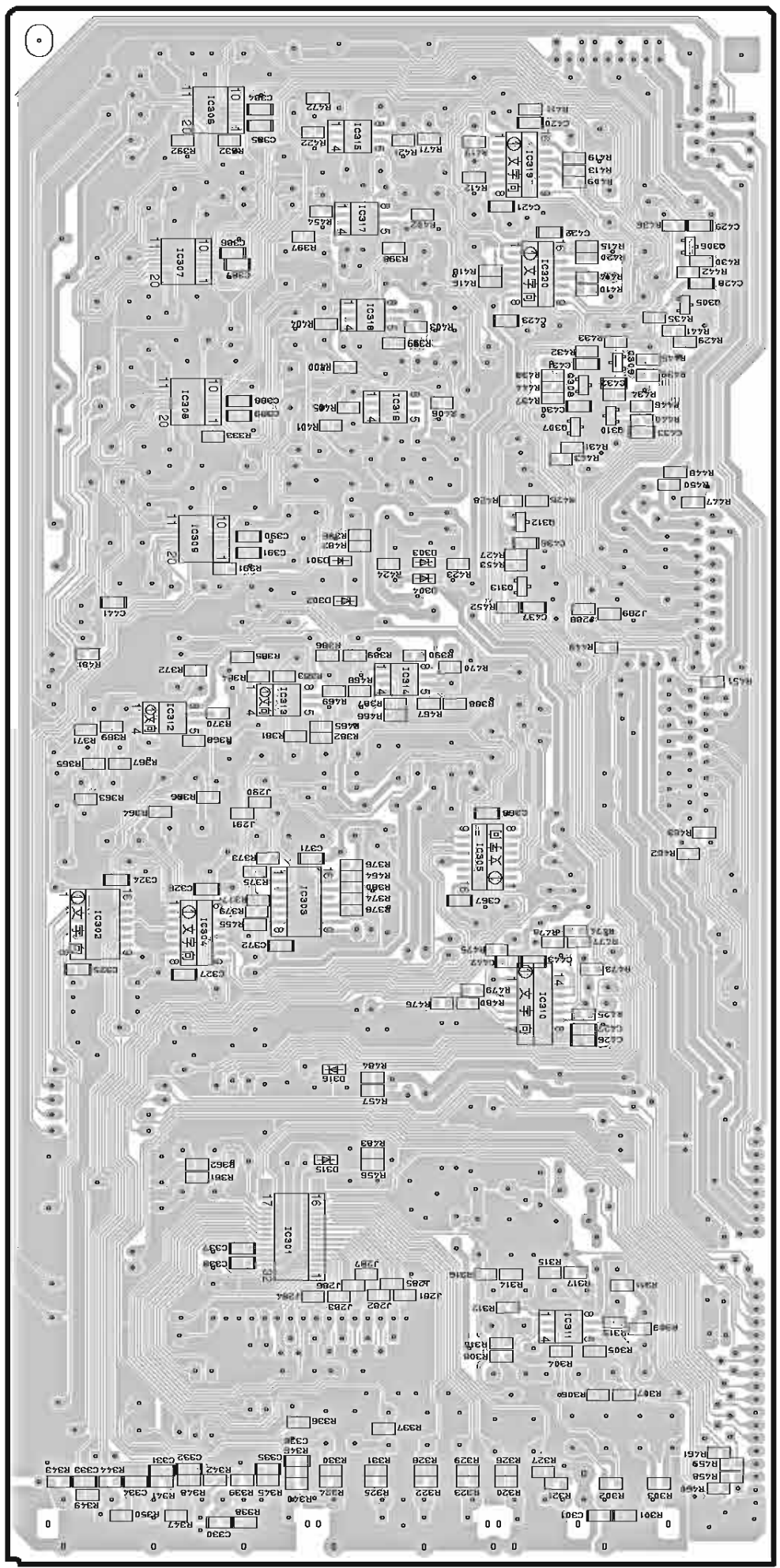
A B C D E F G H I J

RX-V740/RX-V740RDS/DSP-AX740  
 RX-V640/RX-V640RDS/HTR-5660/DSP-AX640/DSP-AX640SE

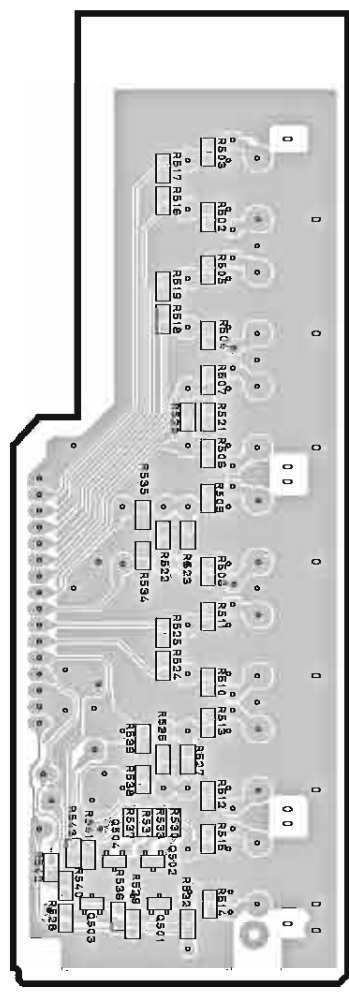
PRINTED CIRCUIT BOARD (Foil side)

RX-V740/RX-V740RDS/DSP-AX740

FUNCTION (1) P. C. B.  
 (Surface Mount Device)



FUNCTION (2) P. C. B.  
 (Surface Mount Device)



Semiconductor Location

Part No.	Location
D301	E4
D302	E4
D303	E3
D304	E3
D315	H4
D316	G4
IC301	H4
IC302	G5
IC303	G4
IC304	G4
IC305	F3
IC306	C4
IC307	D4
IC308	D4
IC309	E4
IC310	G3
IC311	H3
IC312	F4
IC313	F4
IC314	F3
IC315	C4
IC316	D3
IC317	D4
IC318	D4
IC319	C3
IC320	D3
Q305	D2
Q306	D2
Q307	D3
Q308	D3
Q310	D3
Q312	E3
Q313	E3
Q501	F6
Q502	F6
Q503	F7
Q504	F7

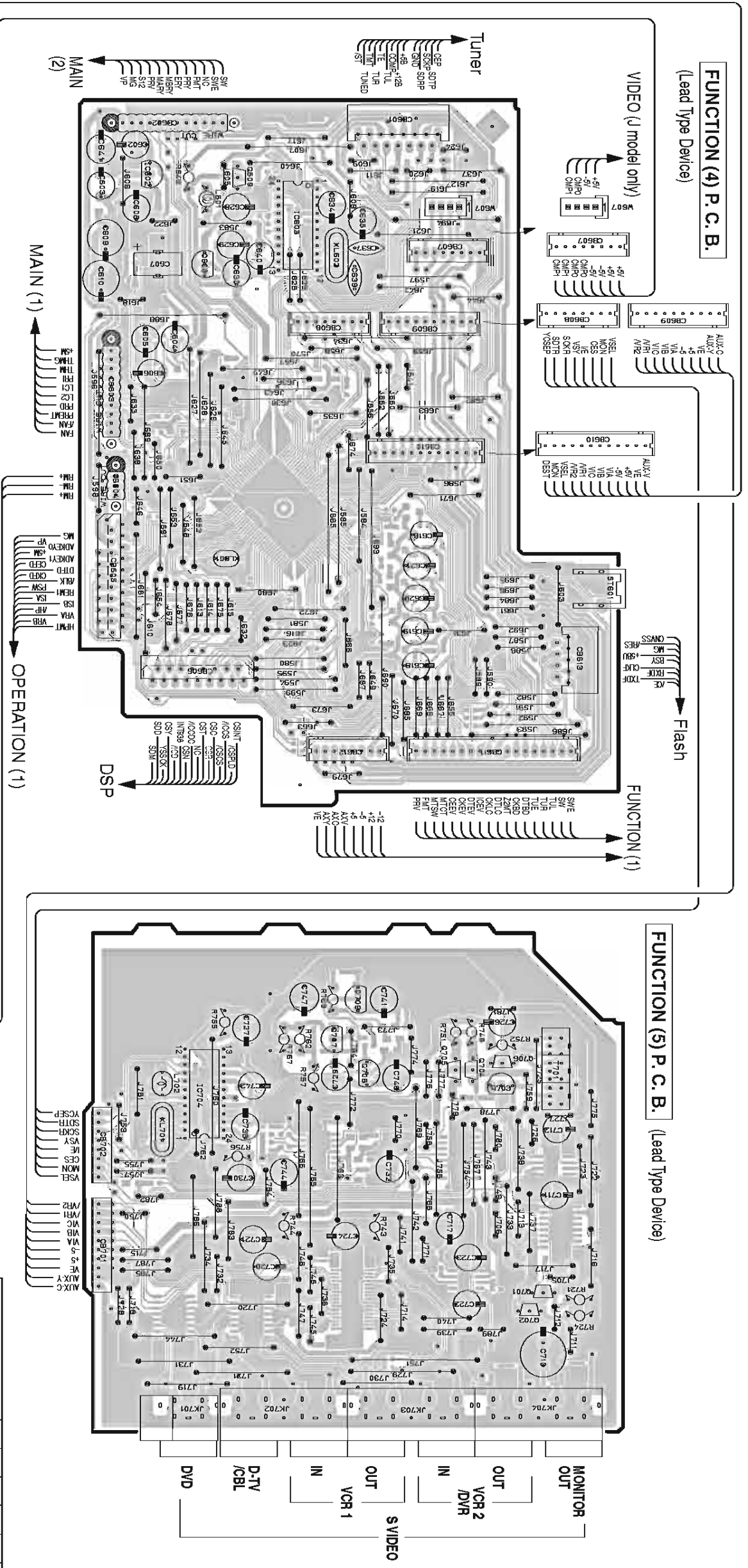
Circle No.	J	R	T	K	U	C	A	B	G	L
Q302, 303	X	X	X	X	O	O	O	X	X	O
Q314, 317	X	X	X	X	O	O	O	X	X	O
P1603	X	X	X	X	O	O	O	X	X	O
Q301, 304	X	X	X	X	O	O	O	X	X	O
R314, 315, 328-333, 336, 337, 340-343	X	X	O	O	O	O	O	X	X	O

X: NOT USED  
 O: USED / APPLICABLE

1 ■ PRINTED CIRCUIT BOARD (Foil side)

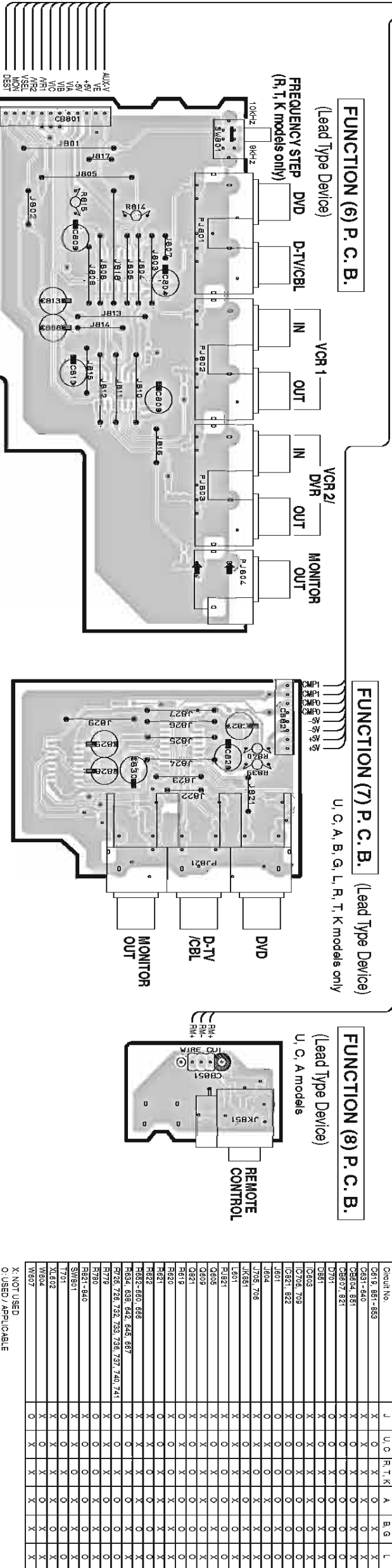
RX-V740/RX-V740RDS/DSP-AX740

RX-V740/RX-V740RDS/DSP-AX740  
RX-V640/RX-V640RDS/HTR-5660/DSP-AX640/DSP-AX640SE



● Semiconductor Location

Ref. No.	Location
IC602	C4
IC603	C4
IC704	H4
Q608	C4
Q609	C4
Q701	I2
Q702	I2
Q703	H2
Q704	H3
Q705	H5
Q706	H2
Q707	G3
Q708	H3
Q709	G3



Circuit No.	U	C	A	B	G	L	R	T	K	A	B	G	L
C618-881-883	X												
C637-840	X												
C6804-881	X												
C6807-821	X												
D701	X												
D881	X												
IC603	X												
IC704-708	X												
IC821-822	X												
J604	X												
J706-708	X												
JK681	X												
L601	X												
PL681	X												
Q605	X												
Q609	X												
Q621	X												
Q622	X												
Q623	X												
Q624	X												
Q625	X												
Q626	X												
Q627	X												
Q628	X												
Q629	X												
Q630	X												
Q631	X												
Q632	X												
Q633	X												
Q634	X												
Q635	X												
Q636	X												
Q637	X												
Q638	X												
Q639	X												
Q640	X												
Q641	X												
Q642	X												
Q643	X												
Q644	X												
Q645	X												
Q646	X												
Q647	X												
Q648	X												
Q649	X												
Q650	X												
Q651	X												
Q652	X												
Q653	X												
Q654	X												
Q655	X												
Q656	X												
Q657	X												
Q658	X												
Q659	X												
Q660	X												
Q661	X												
Q662	X												
Q663	X												
Q664	X												
Q665	X												
Q666	X												
Q667	X												
Q668	X												
Q669	X												
Q670	X												
Q671	X												
Q672	X												
Q673	X												
Q674	X												
Q675	X												
Q676	X												
Q677	X												
Q678	X												
Q679	X												
Q680	X												
Q681	X												
Q682	X												
Q683	X												
Q684	X												
Q685	X												
Q686	X												
Q687	X												
Q688	X												
Q689	X												
Q690	X												
Q691	X												
Q692	X												
Q693	X												
Q694	X												
Q695	X												
Q696	X												
Q697	X												
Q698	X												
Q699	X												
Q700	X												
Q701	X												
Q702	X												
Q703	X												
Q704	X												
Q705	X												
Q706	X												
Q707	X												
Q708	X												
Q709	X												

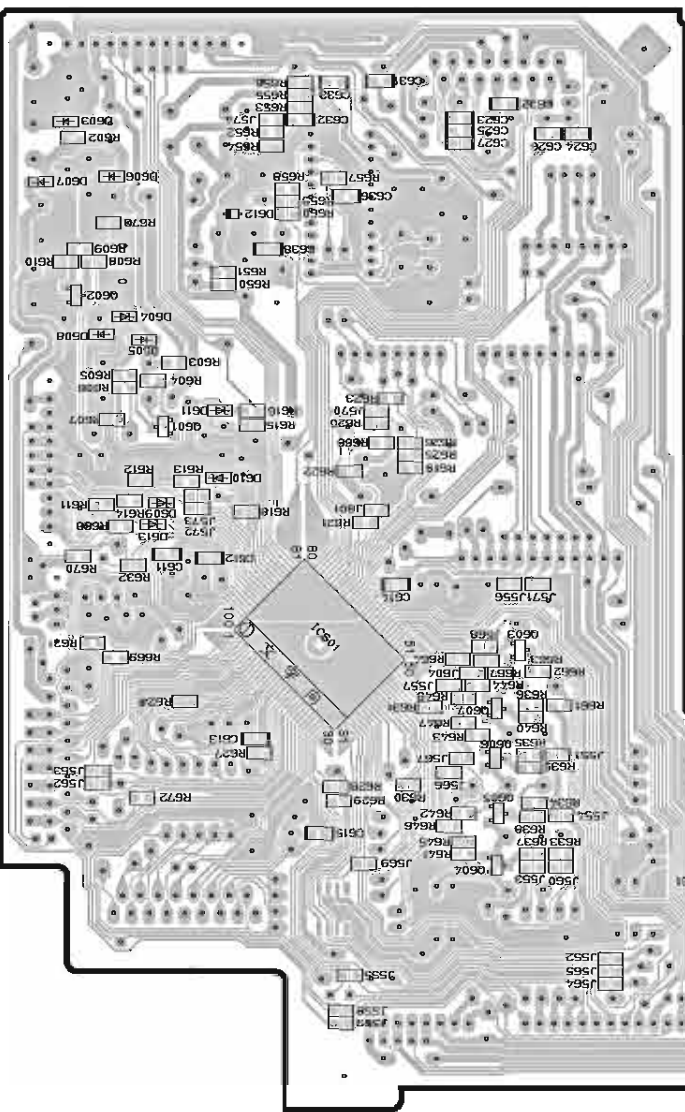


RX-V740/RX-V740RDS/DSP-AX740  
 RX-V640/RX-V640RDS/HTR-5660/DSP-AX640/DSP-AX640SE

PRINTED CIRCUIT BOARD (Foil side)

RX-V740/RX-V740RDS/DSP-AX740

FUNCTION (4) P. C. B.  
 (Surface Mount Device)



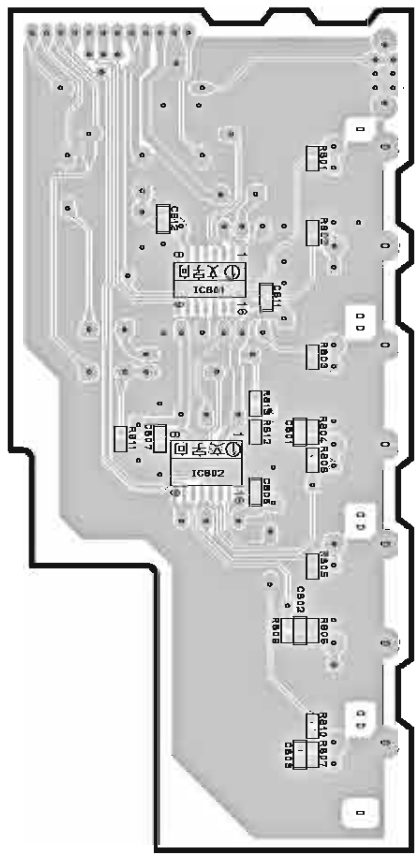
FUNCTION (5) P. C. B.  
 (Surface Mount Device)



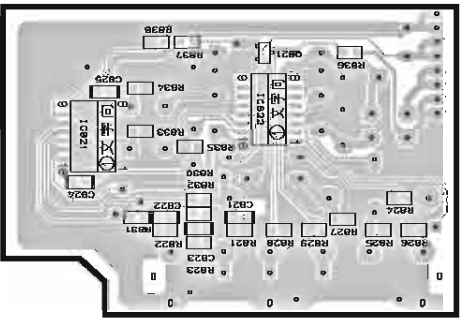
Semiconductor Location

Ref. No.	Location
D603	B4
D604	C4
D605	C4
D606	C4
D607	C5
D608	C4
D609	D4
D610	D4
D611	C4
D612	C4
D613	D4
D701	H4
D702	H3
D703	H3
D704	G3
D705	G3
D706	G3
D707	G3
D708	G3
D709	H3
D710	H3
D851	G6
IC801	D4
IC701	H4
IC702	H4
IC703	H3
IC705	H3
IC706	H2
IC707	H3
IC708	H3
IC709	H2
IC801	C6
IC802	D6
IC821	F7
IC822	F6
Q801	C4
Q802	C4
Q803	D3
Q804	E3
Q805	E3
Q806	E3
Q807	D3
Q821	F6

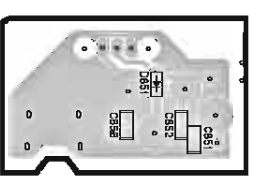
FUNCTION (6) P. C. B.  
 (Surface Mount Device)



FUNCTION (7) P. C. B.  
 (Surface Mount Device)



FUNCTION (8) P. C. B.  
 (Surface Mount Device)



U, C, A models

Circle No.	J	U	C	R	T	K	A	B	G	L
0218-837-833	X									
0218-847	X									
0218-848	X									
0218-849	X									
0218-851	X									
0218-852	X									
0218-853	X									
0218-854	X									
0218-855	X									
0218-856	X									
0218-857	X									
0218-858	X									
0218-859	X									
0218-860	X									
0218-861	X									
0218-862	X									
0218-863	X									
0218-864	X									
0218-865	X									
0218-866	X									
0218-867	X									
0218-868	X									
0218-869	X									
0218-870	X									
0218-871	X									
0218-872	X									
0218-873	X									
0218-874	X									
0218-875	X									
0218-876	X									
0218-877	X									
0218-878	X									
0218-879	X									
0218-880	X									
0218-881	X									
0218-882	X									
0218-883	X									
0218-884	X									
0218-885	X									
0218-886	X									
0218-887	X									
0218-888	X									
0218-889	X									
0218-890	X									
0218-891	X									
0218-892	X									
0218-893	X									
0218-894	X									
0218-895	X									
0218-896	X									
0218-897	X									
0218-898	X									
0218-899	X									
0218-900	X									

X: NOT USED  
 O: USED / APPLICABLE



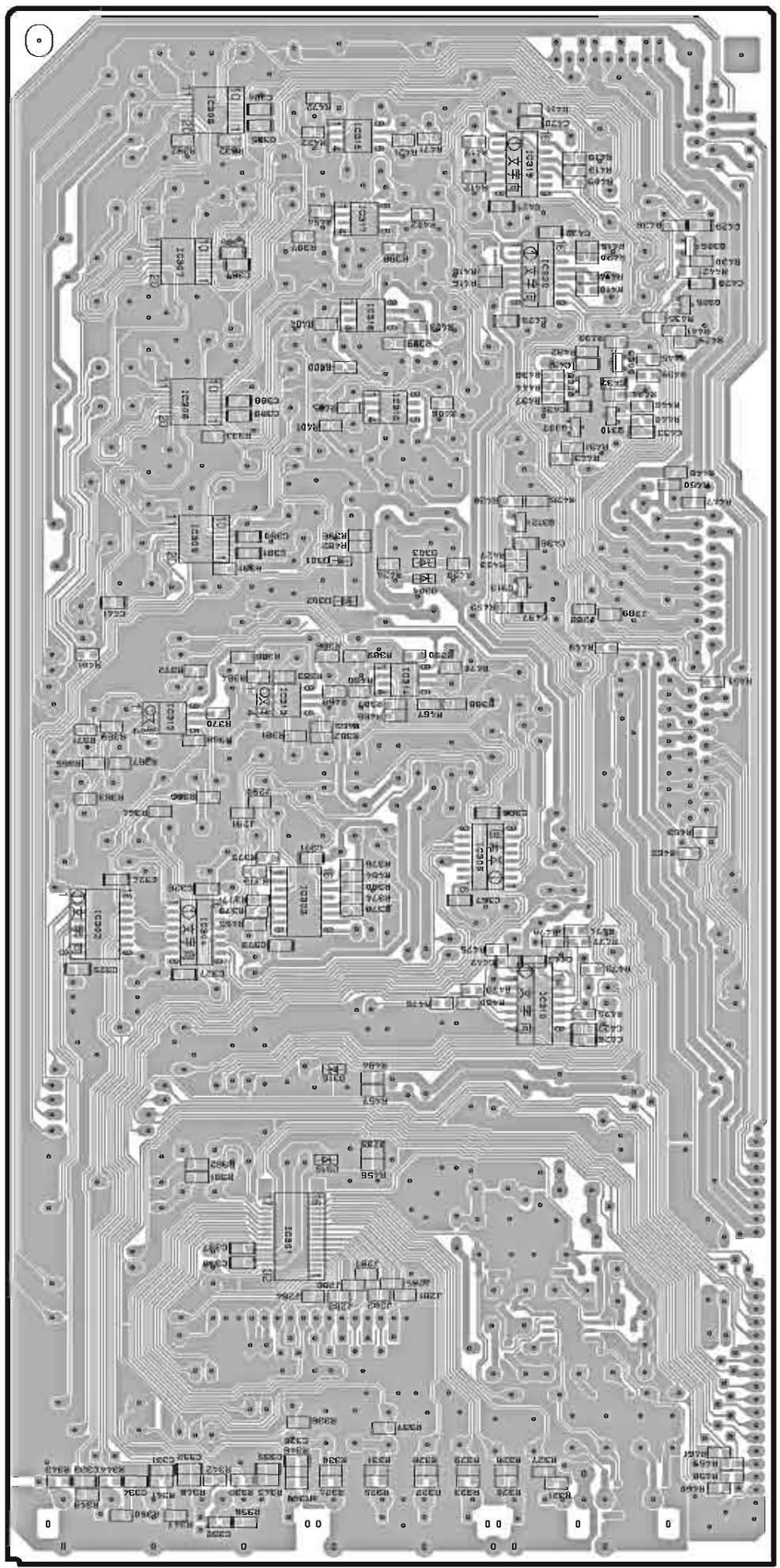


RX-V740/RX-V740RDS/DSP-AX740  
 RX-V640/RX-V640RDS/HTR-5660/DSP-AX640/DSP-AX640SE

PRINTED CIRCUIT BOARD (Foil side)

RX-V640/RX-V640RDS/HTR-5660/DSP-AX640

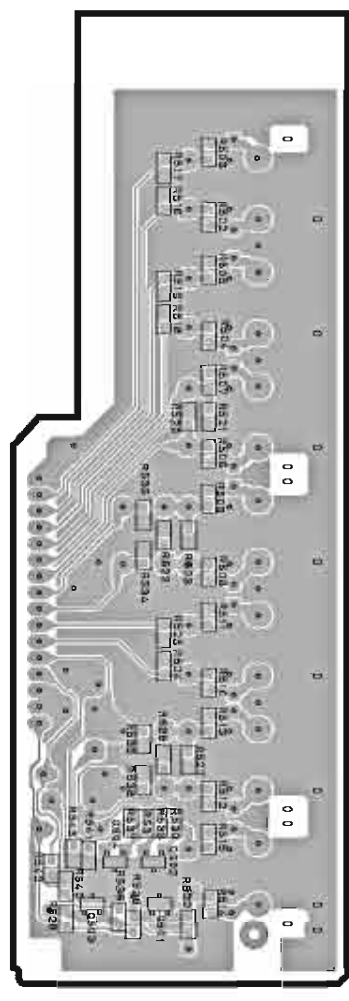
FUNCTION (1) P. C. B.  
 (Surface Mount Device)



Semiconductor Location

Part No.	Location
D301	E4
D302	E4
D303	E3
D304	E3
D315	H4
D316	H4
D317	H4
D318	H4
IC301	H4
IC302	G5
IC303	G4
IC304	G4
IC305	F3
IC306	C4
IC307	D4
IC308	D4
IC309	E4
IC310	G3
IC311	F4
IC312	F4
IC313	F4
IC314	F3
IC315	C4
IC316	D4
IC317	D4
IC318	D4
IC319	C3
IC320	D3
Q305	D2
Q306	D2
Q307	D3
Q308	D3
Q309	D3
Q310	D3
Q311	E3
Q312	E3
Q313	E3
Q501	F6
Q502	F6
Q503	F7
Q504	F7

FUNCTION (2) P. C. B.  
 (Surface Mount Device)



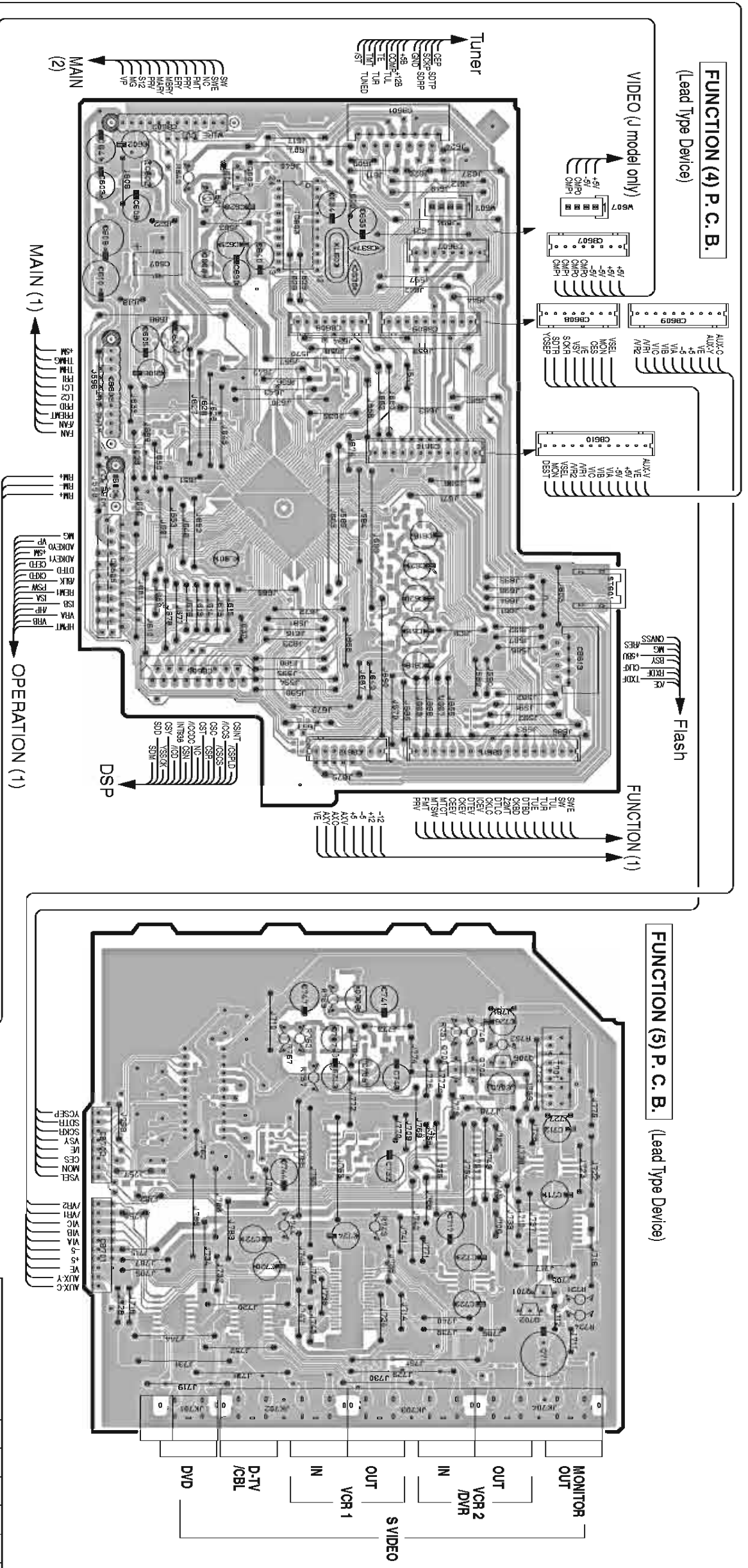
Circuit No.	J.R.T.K.	U.C.	A	B.G.L.
Q302, Q33	X	X	O	O
Q314, B17	X	X	O	X
P1603	X	O	O	X
Q301, B04	X	O	O	X
R314, B16, B28, B33, B36, B37, B40, B43	X	O	O	X

X: NOT USED  
 O: USED / APPLICABLE

1 ■ PRINTED CIRCUIT BOARD (Foil side)

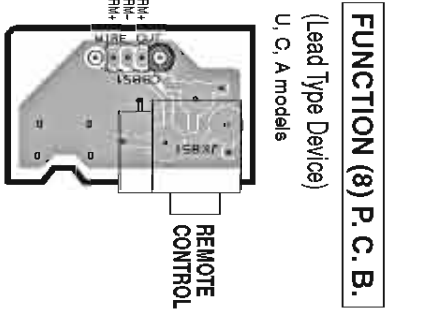
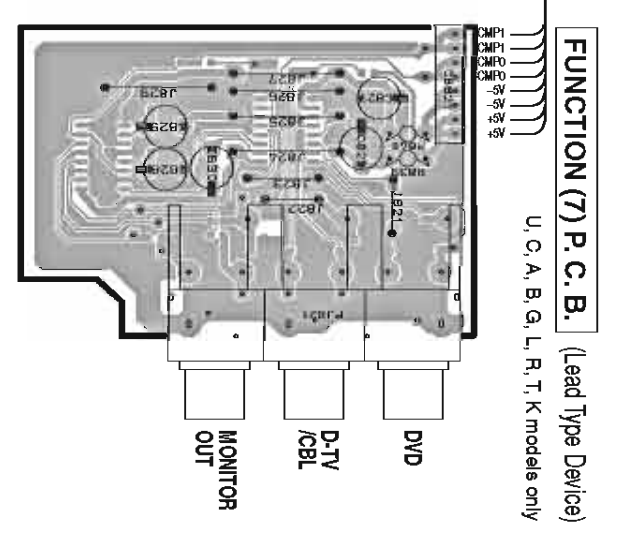
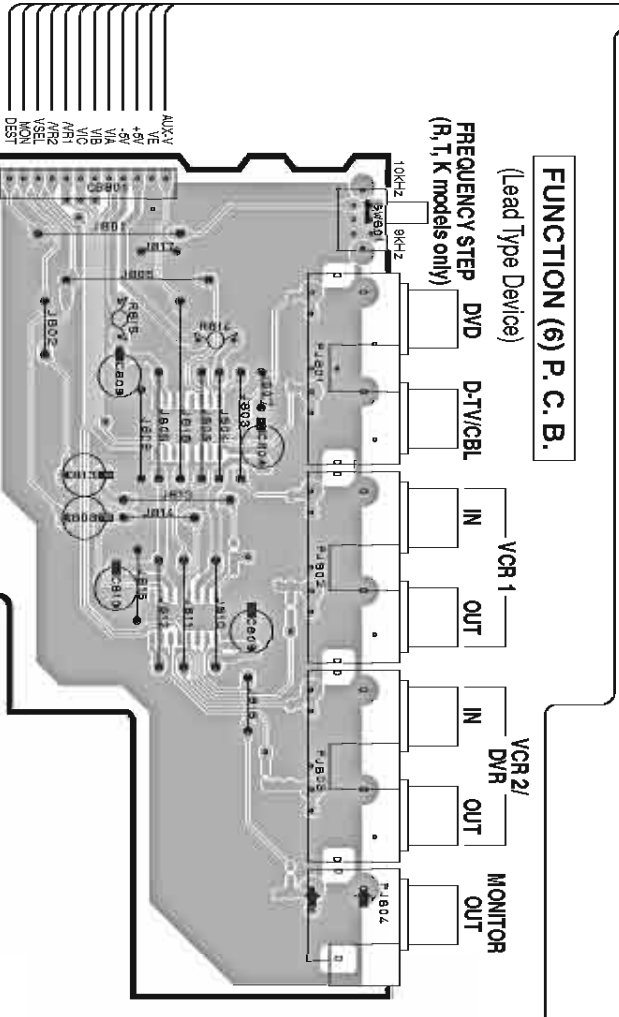
RX-V640/RX-V640RDS/HTR-5660/DSP-AX640

RX-V740/RX-V740RDS/DSP-AX740  
RX-V640/RX-V640RDS/HTR-5660/DSP-AX640/DSP-AX640SE



• Semiconductor Location

Part No.	Location
IC602	C4
IC603	C4
Q608	C4
Q609	C4
Q701	I2
Q702	I2
Q703	H2
Q704	H3
Q705	H5
Q706	H2
Q707	G3
Q708	H3
Q709	G3



Circuit No.	U	C	A	B	G	L	R	T	K	A	B	G	L
C618, 661-663	X												
C637-640	X												
C664, 661	X												
C667, 621	X												
D701	X												
D661	X												
T604, 708	X												
T621, 622	X												
J604	X												
J706, 708	X												
J661	X												
J661	X												
P161	X												
Q605	X												
Q609	X												
Q621	X												
R119	X												
R121	X												
R122	X												
R152-610, 668	X												
R154, 638, 642, 646, 667	X												
R726, 728, 732, 733, 736, 737, 740, 741	X												
R776	X												
R785	X												
R821-840	X												
SW61	X												
T701	X												
X1, 602	X												
W604	X												
W607	X												

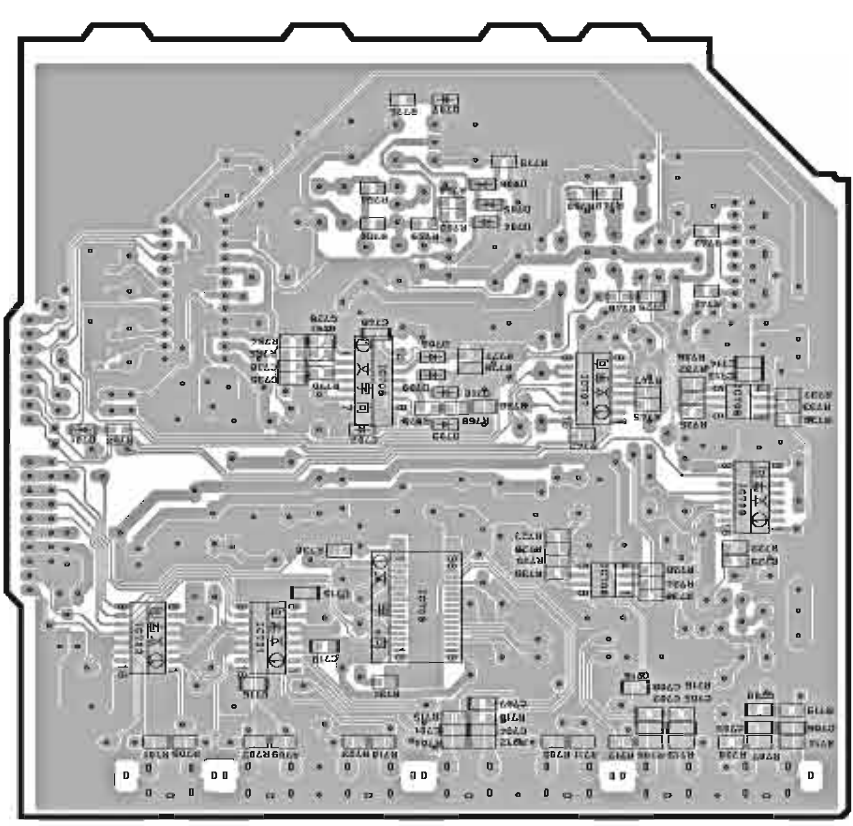


RX-V740/RX-V740RDS/DSP-AX740  
 RX-V640/RX-V640RDS/HTR-5660/DSP-AX640/DSP-AX640SE

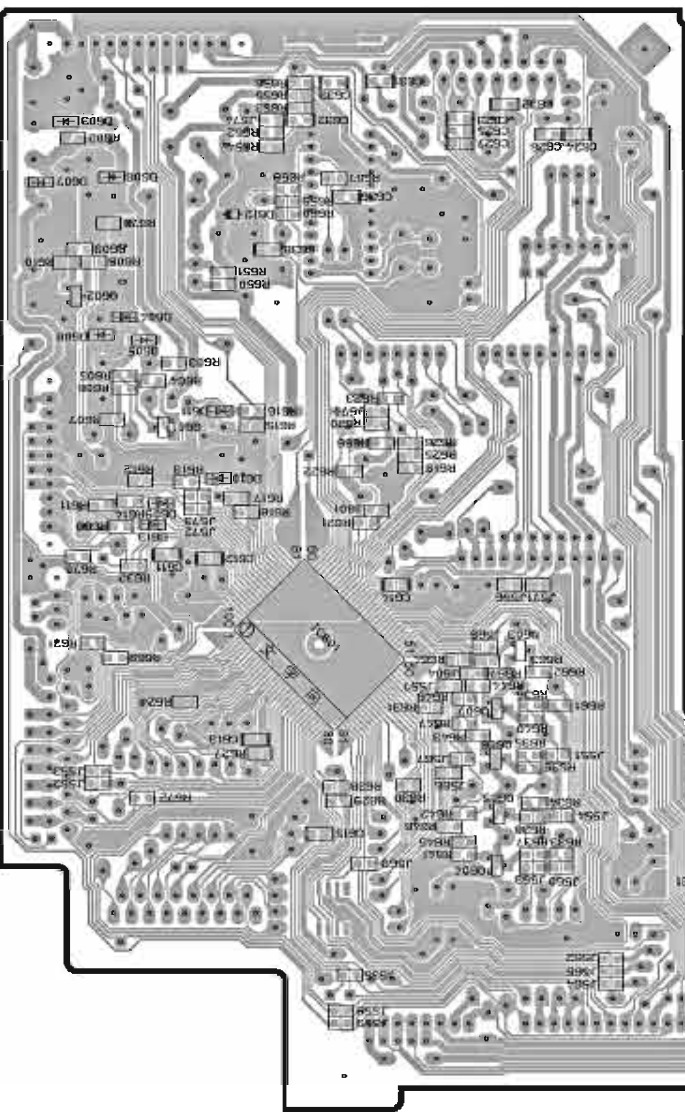
PRINTED CIRCUIT BOARD (Foil side)

RX-V640/RX-V640RDS/HTR-5660/DSP-AX640

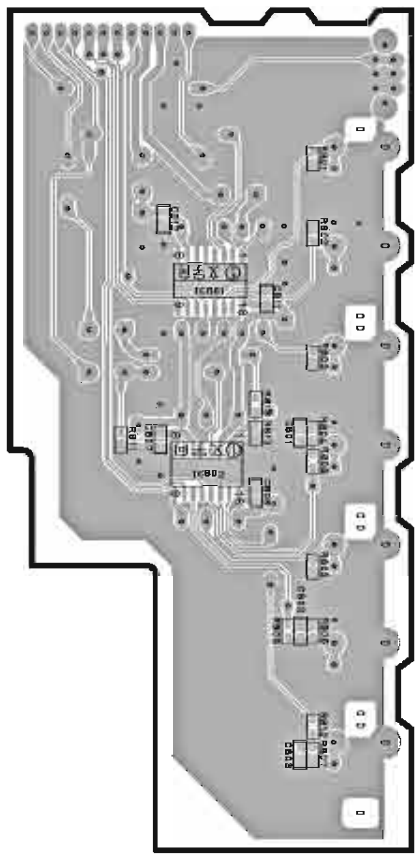
FUNCTION (5) P. C. B.  
 (Surface Mount Device)



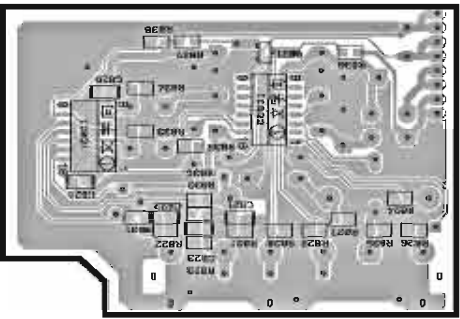
FUNCTION (4) P. C. B.  
 (Surface Mount Device)



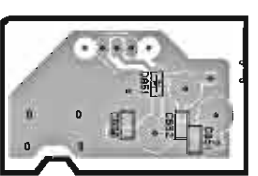
FUNCTION (6) P. C. B.  
 (Surface Mount Device)



FUNCTION (7) P. C. B.  
 (Surface Mount Device)



FUNCTION (8) P. C. B.  
 (Surface Mount Device)



U, C, A models

Semiconductor Location

Part No.	Location
D603	B4
D604	C4
D605	C4
D606	C4
D607	C5
D608	C4
D609	D4
D610	D4
D611	C4
D612	C4
D613	D4
D701	H4
D702	H3
D703	H3
D704	G3
D705	G3
D706	G3
D707	G3
D708	G3
D709	H3
D851	G6
IC601	D4
IC701	H4
IC702	H4
IC703	H3
IC705	H3
IC706	H2
IC707	H3
IC708	H3
IC709	H2
IC801	C6
IC802	D6
IC821	F7
IC822	F6
Q801	C4
Q802	C4
Q803	D3
Q804	E3
Q805	E3
Q806	E3
Q807	D3
Q821	F6

Circle No.	J	U	C	R	T	K	A	B	G	L
Q818-887-883	X									
Q819-887	X									
Q820-88	X									
Q8207-83	X									
D701	O	O	O	O	O	O	O	O	O	O
D851	X									
Q702-705	X									
IC821-822	O	O	O	O	O	O	O	O	O	O
Q81	O	O	O	O	O	O	O	O	O	O
Q82	O	O	O	O	O	O	O	O	O	O
Q83	O	O	O	O	O	O	O	O	O	O
Q84	O	O	O	O	O	O	O	O	O	O
Q85	X									
Q86	X									
Q87	X									
Q88	X									
Q89	X									
Q90	X									
Q91	X									
Q92	X									
Q93	X									
Q94	X									
Q95	X									
Q96	X									
Q97	X									
Q98	X									
Q99	X									
Q100	X									
Q101	X									
Q102	X									
Q103	X									
Q104	X									
Q105	X									
Q106	X									
Q107	X									

X: NOT USED  
 O: USED / APPLICABLE

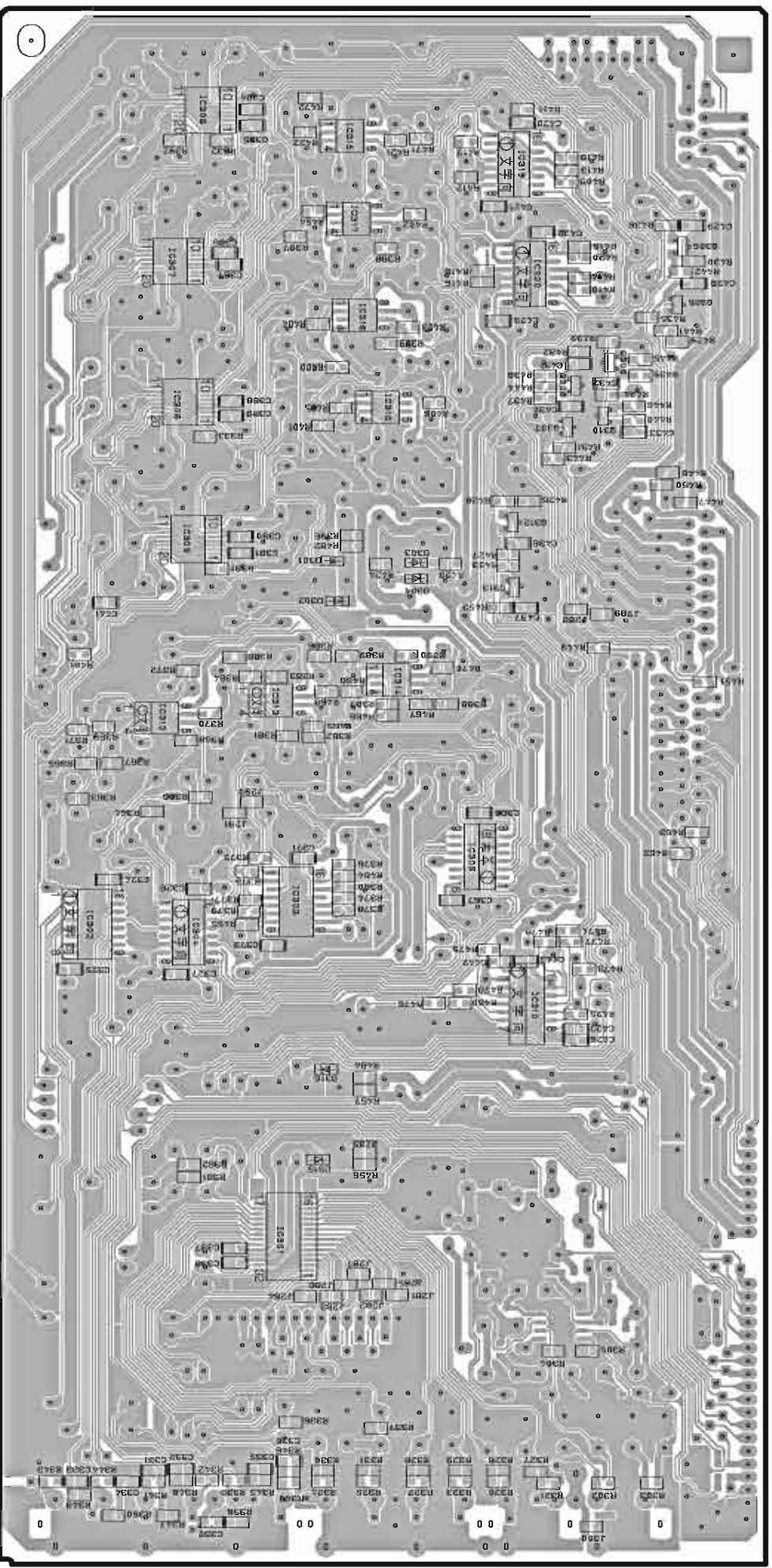


RX-V740/RX-V740RDS/DSP-AX740  
 RX-V640/RX-V640RDS/HTR-5660/DSP-AX640/DSP-AX640SE

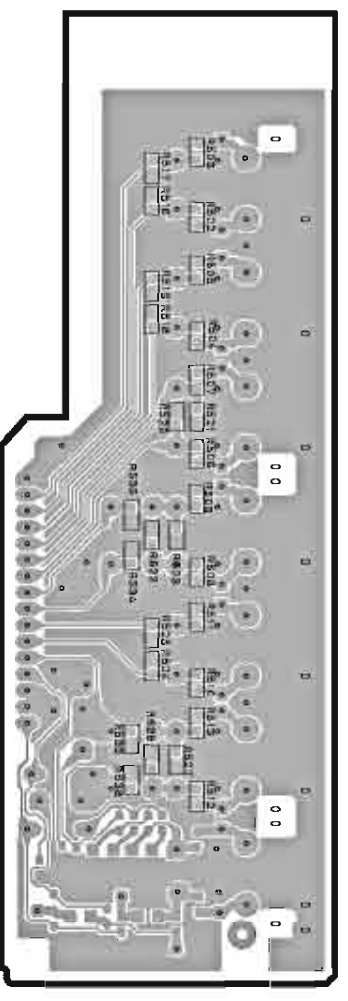
PRINTED CIRCUIT BOARD (Foil side)

DSP-AX640SE

FUNCTION (1) P. C. B.  
 (Surface Mount Device)



FUNCTION (2) P. C. B.  
 (Surface Mount Device)



Semiconductor Location

Ref. No.	Location
D301	E4
D302	E4
D303	E3
D304	E3
D315	H4
D316	G4
IC301	H4
IC302	G5
IC303	G4
IC304	G4
IC305	F3
IC306	G4
IC307	D4
IC308	D4
IC309	E4
IC310	G3
IC312	F4
IC313	F4
IC314	F3
IC315	C4
IC316	D3
IC317	D4
IC318	D4
IC319	C3
IC320	D3
Q305	D2
Q306	D2
Q307	D3
Q308	D3
Q309	D3
Q310	D3
Q312	E3
Q313	E3



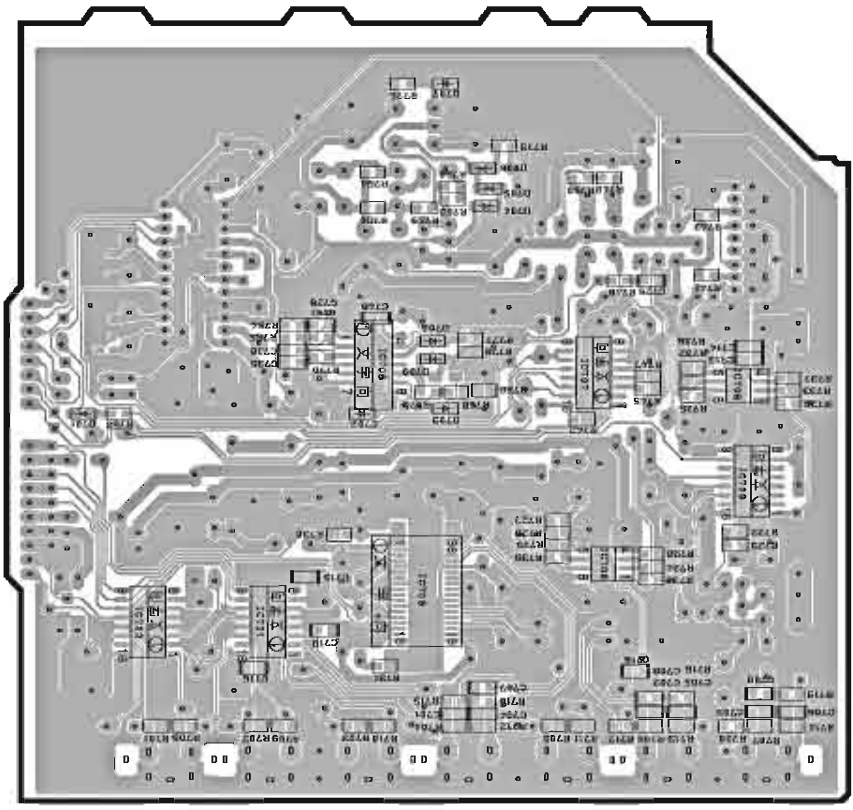


RX-V740/RX-V740RDS/DSP-AX740  
 RX-V640/RX-V640RDS/HTR-5660/DSP-AX640/DSP-AX640SE

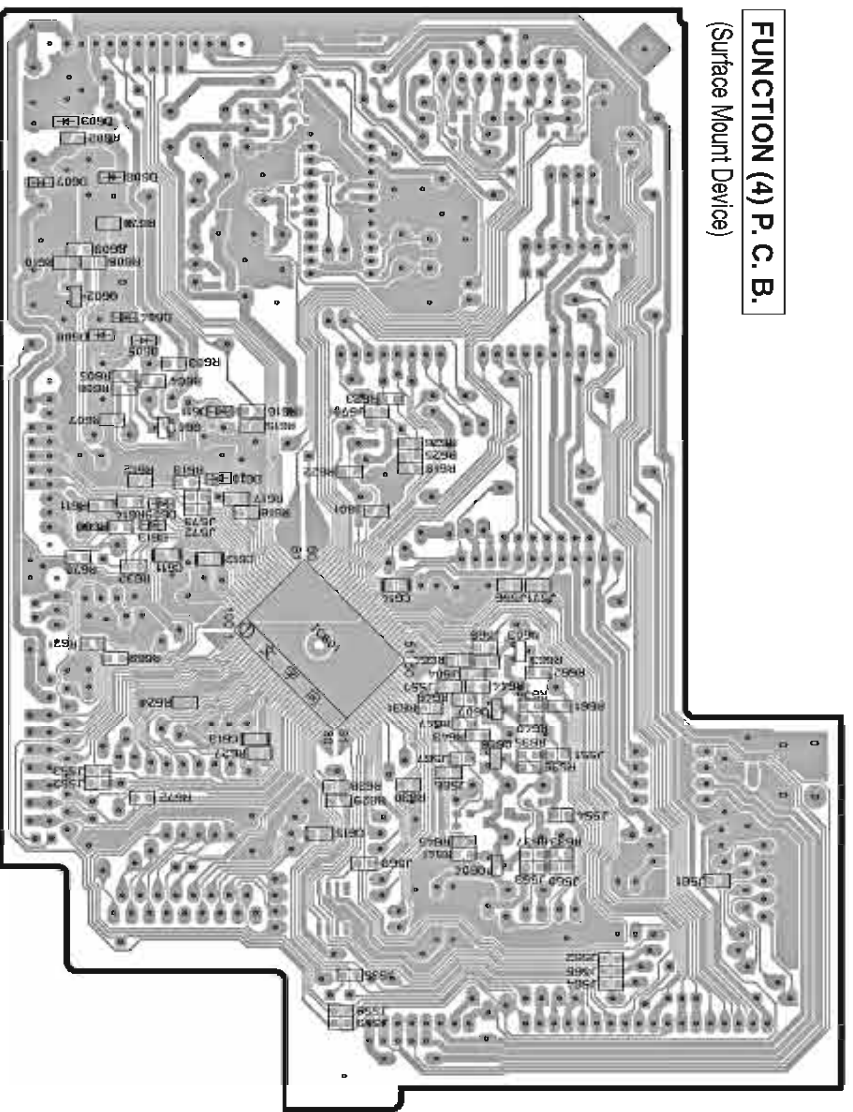
PRINTED CIRCUIT BOARD (Foil side)

DSP-AX640SE

FUNCTION (5) P. C. B.  
 (Surface Mount Device)



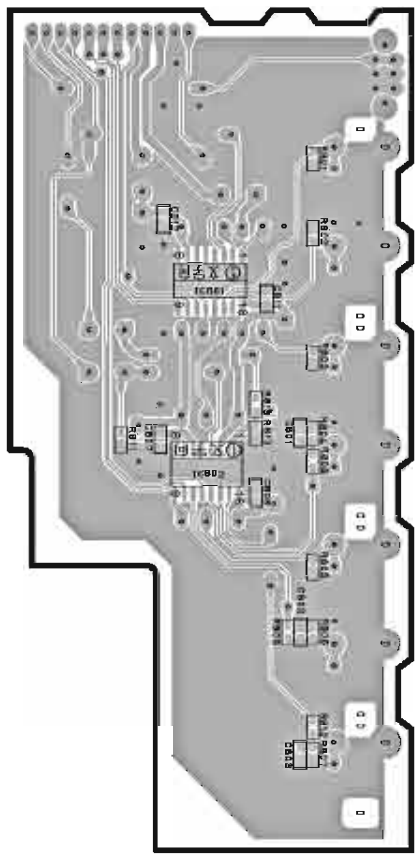
FUNCTION (4) P. C. B.  
 (Surface Mount Device)



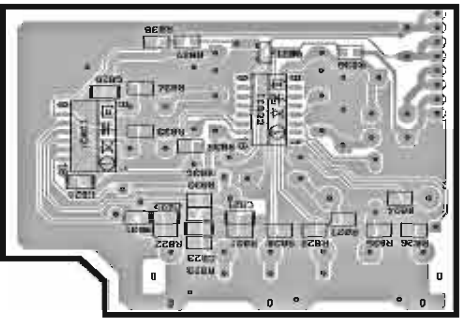
Semiconductor Location

Part No.	Location
D603	B4
D604	C4
D605	C4
D606	C4
D607	C5
D608	C4
D609	D4
D610	D4
D611	C4
D613	D4
D701	H4
D702	H3
D703	H3
D704	G3
D705	G3
D706	G3
D707	G3
D708	G3
D709	H3
IC801	D4
IC701	H4
IC702	H4
IC703	H3
IC705	H3
IC706	H2
IC707	H3
IC708	H3
IC709	H2
IC801	C6
IC802	D6
IC821	F7
IC822	F6
Q801	C4
Q802	C4
Q803	D3
Q804	E3
Q806	E3
Q807	D3
Q821	F6

FUNCTION (6) P. C. B.  
 (Surface Mount Device)



FUNCTION (7) P. C. B.  
 (Surface Mount Device)







A B C D E F G H I J

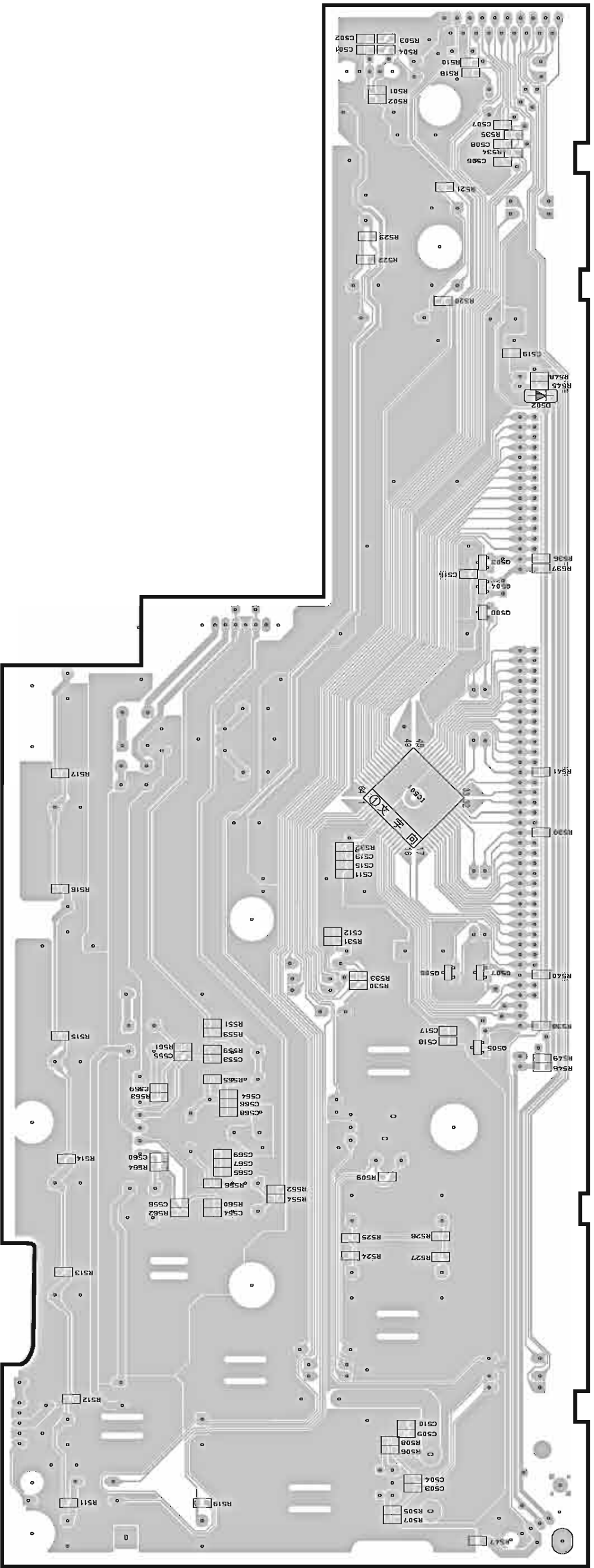
RX-V740/RX-V740RDS/DSP-AX740  
 RX-V640/RX-V640RDS/HTR-5660/DSP-AX640/DSP-AX640SE

PRINTED CIRCUIT BOARD (Foil side)

RX-V740/RX-V740RDS/DSP-AX740

RX-V640/RX-V640RDS/HTR-5660/DSP-AX640

OPERATION (1) P. C. B. (Surface Mount Device)



Semiconductor Location

Ref. No.	Location
D502	D2
U501	F3
Q503	D2
Q504	E2
Q505	G3
Q506	G3
Q507	G3
Q508	E2

Circuit No.	J	R	T	K	L	U	G	A	B	G
D501	X	X	X	X	X	X	X	X	X	X
F509	X	X	X	X	X	X	X	X	X	X
F524-527	X	X	X	X	X	X	X	X	X	X
S5618-519	X	X	X	X	X	X	X	X	X	X

X: NOT USED  
 O: USED / APPLICABLE

A

B

C

D

E

F

G

H

I

J

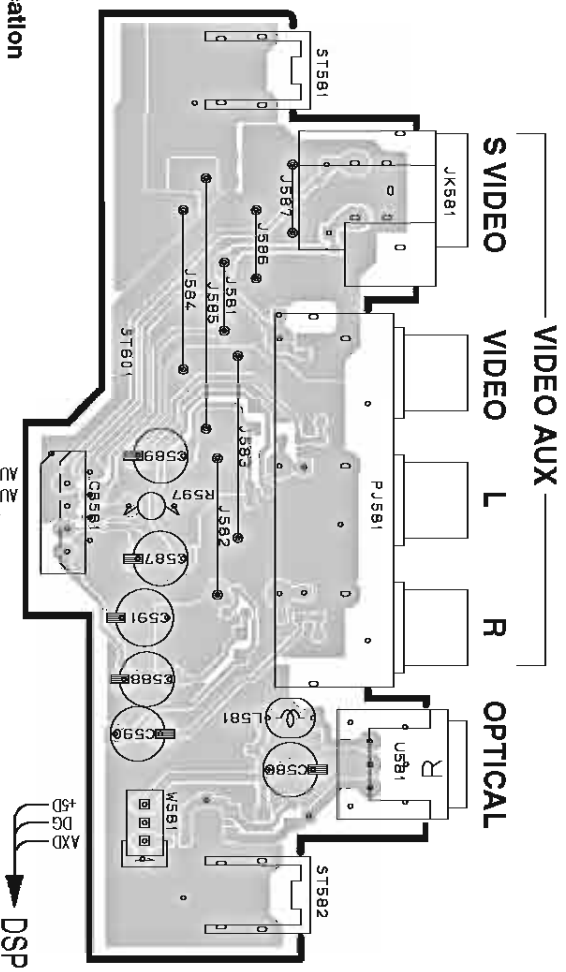
1 ■ PRINTED CIRCUIT BOARD (Foil side)

RX-V740/RX-V740RDS/DSP-AX740

RX-V640/RX-V640RDS/HTR-5660/DSP-AX640

RX-V740/RX-V740RDS/DSP-AX740  
RX-V640/RX-V640RDS/HTR-5660/DSP-AX640/DSP-AX640SE

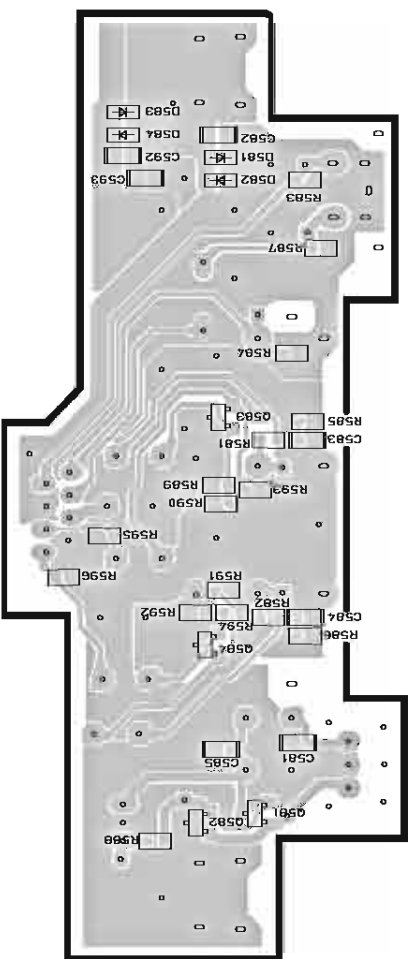
OPERATION (4) P. C. B. (Lead Type Device)



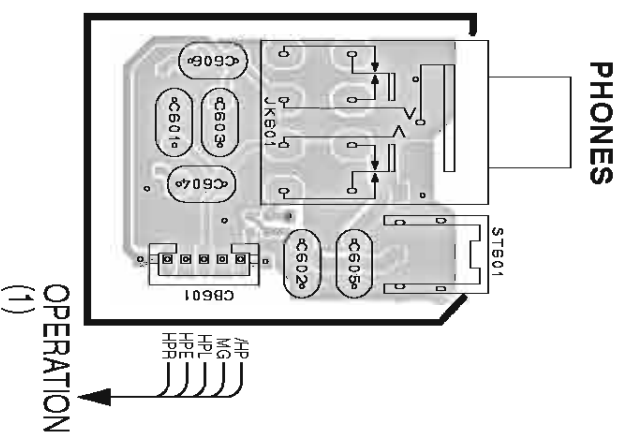
• Semiconductor Location

Part No.	Location
D581	B6
D582	B6
D583	B6
D584	B6
D601	F6
D602	F6
D603	F6
IC611	I6
IC612	J6
C581	D6
C582	D6
C583	C6
C584	D6

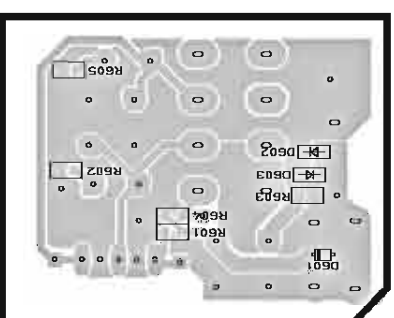
OPERATION (4) P. C. B. (Surface Mount Device)



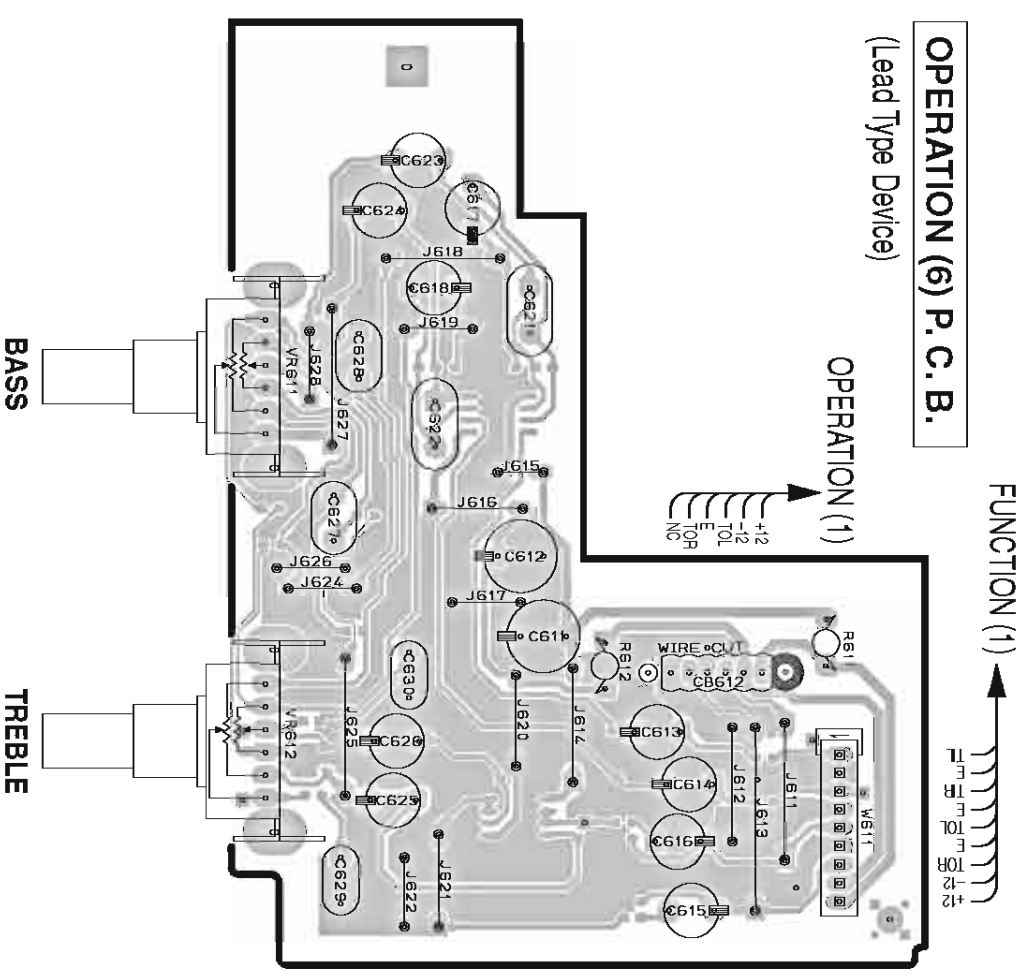
OPERATION (5) P. C. B. (Lead Type Device)



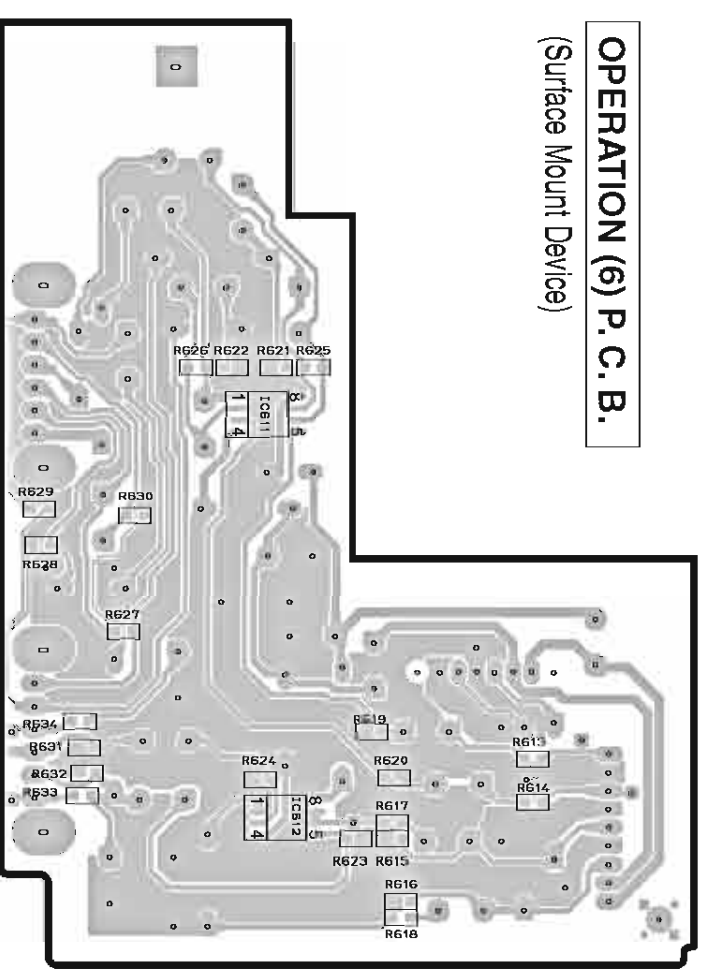
OPERATION (5) P. C. B. (Surface Mount Device)



OPERATION (6) P. C. B. (Lead Type Device)



OPERATION (6) P. C. B. (Surface Mount Device)



7

6

5

4

3

2

1

Circuit No.	J, R, T, K, L	U, C, A, I	B, G
D581	X	X	X
R589	X	X	X
R524-527	X	X	X
SW616-519	X	X	X
X: NOT USED			
O: USED / APPLICABLE			



A

B

C

D

E

F

G

H

I

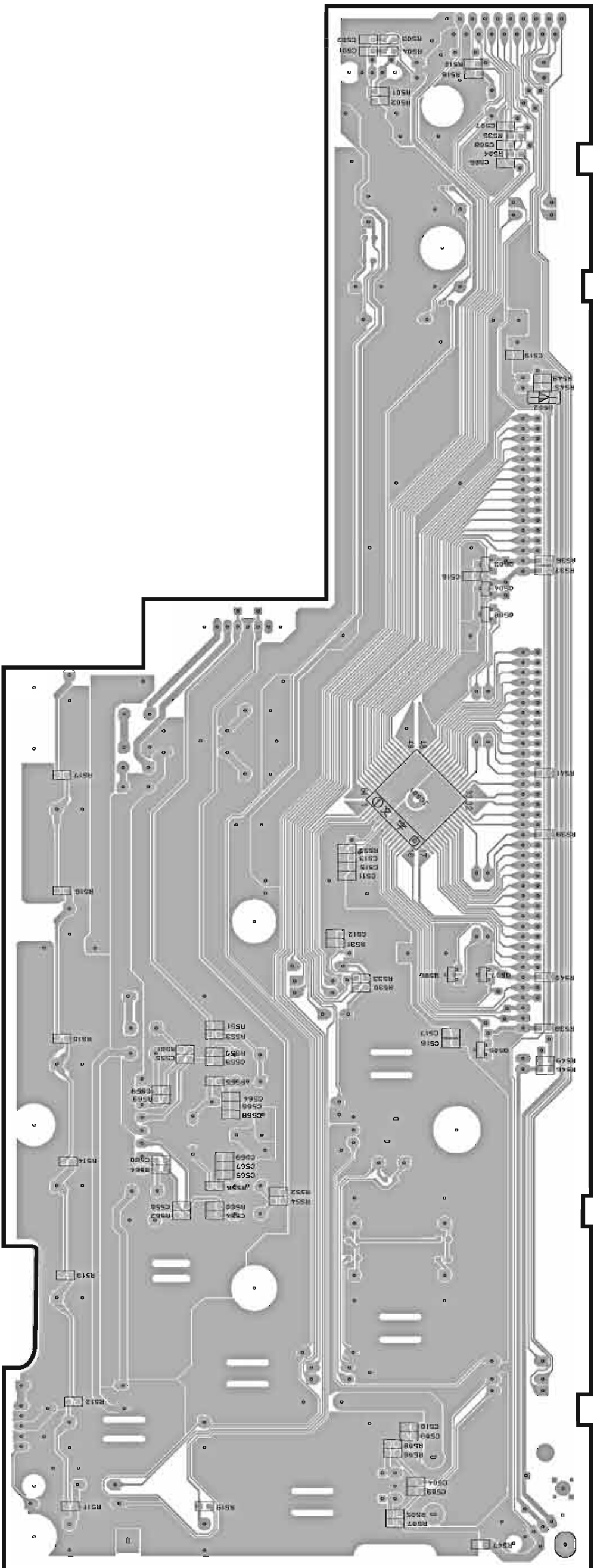
J

PRINTED CIRCUIT BOARD (Foil side)

OPERATION (1) P. C. B. (Surface Mount Device)

DSP-AX640SE

RX-V740/RX-V740RDS/DSP-AX740  
RX-V640/RX-V640RDS/HTR-5660/DSP-AX640/DSP-AX640SE



Semiconductor Location

Part No.	Location
D502	D2
IC501	F3
OS03	D2
OS04	E2
OS05	G3
OS07	G3
OS08	E2

Circuit No.	J	R	T	K	L	U	C	A	B	G
DS01	X	X	X	X	X	O	X	X	X	X
RS24-827	X	X	X	X	X	O	X	X	X	X
SW618-819	X	X	X	X	X	X	X	X	X	O

X: NOT USED  
O: USED/ APPLICABLE

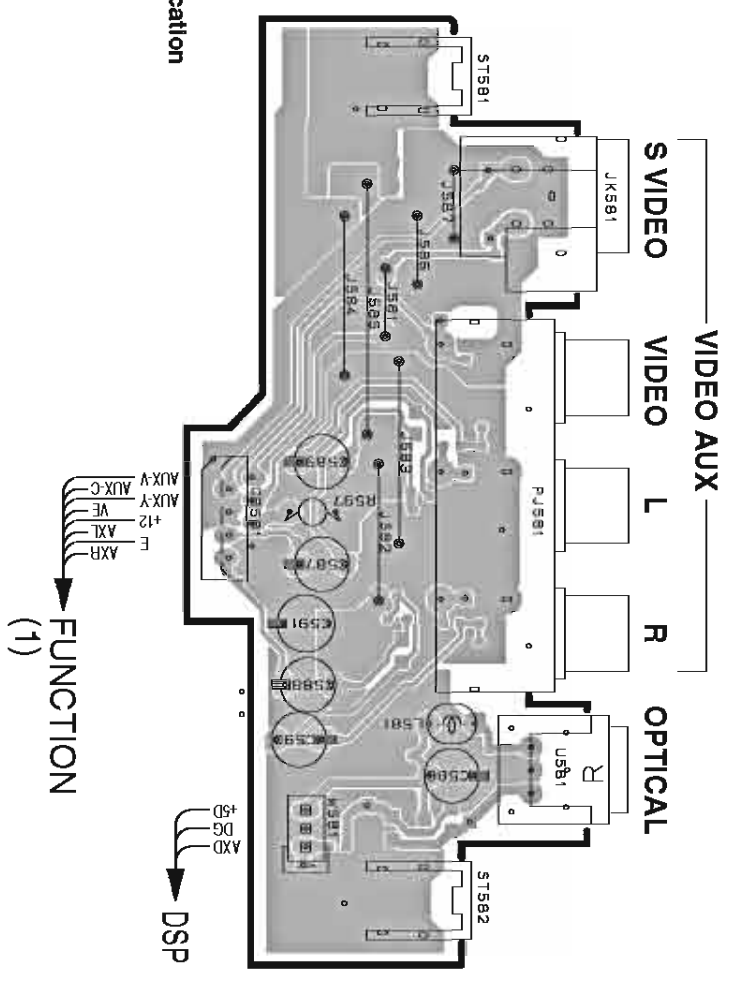


RX-V740/RX-V740RDS/DSP-AX740  
 RX-V640/RX-V640RDS/HTR-5660/DSP-AX640/DSP-AX640SE

PRINTED CIRCUIT BOARD (Foil side)

DSP-AX640SE

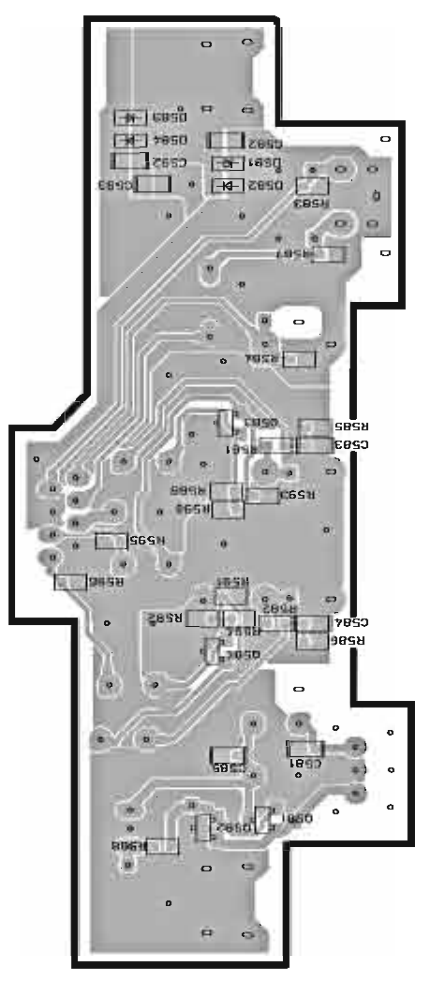
OPERATION (4) P. C. B. (Lead Type Device)



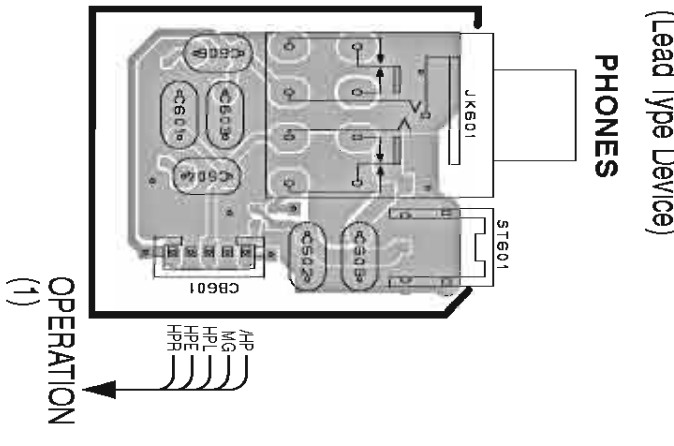
• Semiconductor Location

Ref. No.	Location
D581	B6
D582	B6
D583	B6
D584	B6
D601	F6
D802	F6
D803	F6
IC611	I6
IC612	J6
Q581	D6
Q582	D6
Q583	C6
Q584	D6

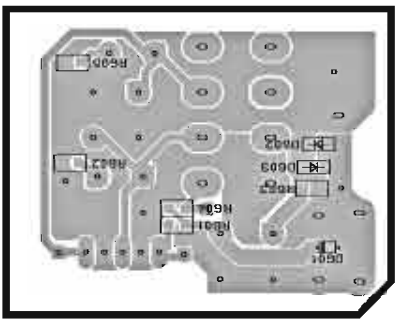
OPERATION (4) P. C. B. (Surface Mount Device)



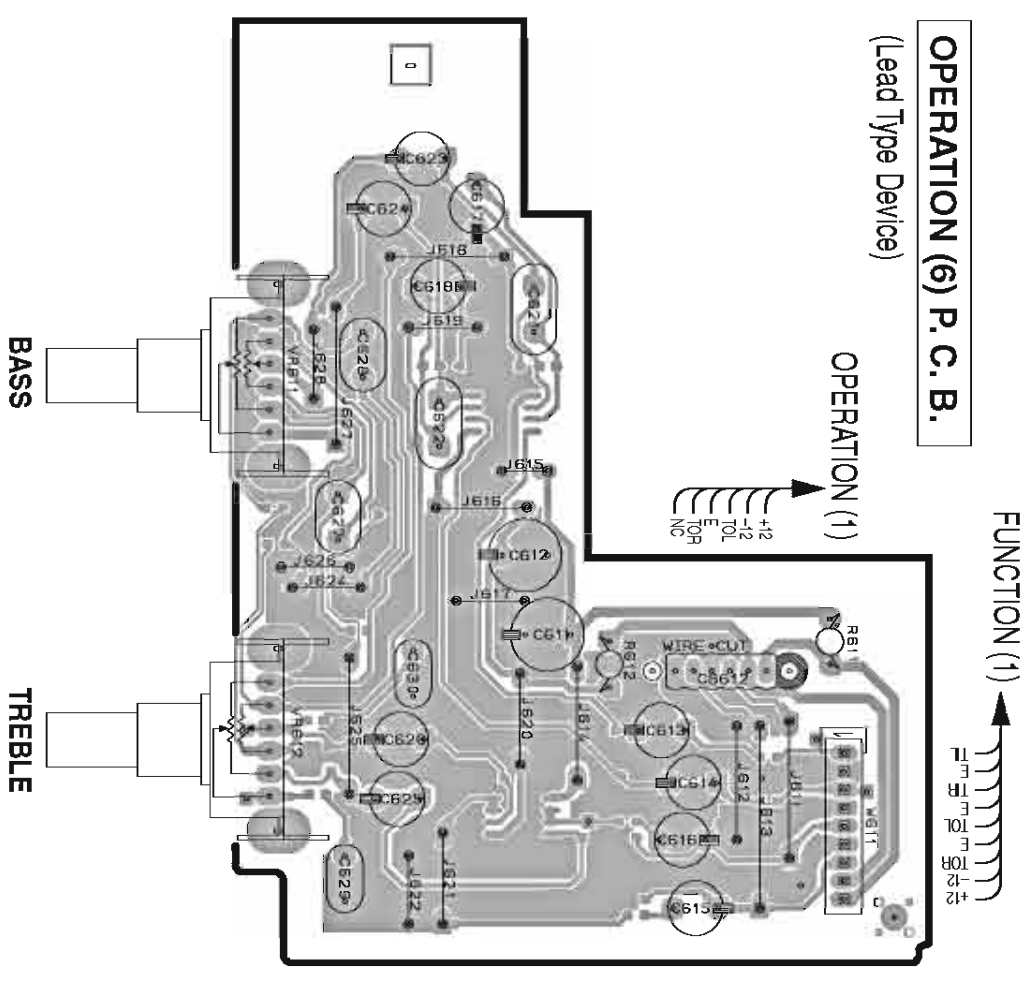
OPERATION (5) P. C. B. (Lead Type Device)



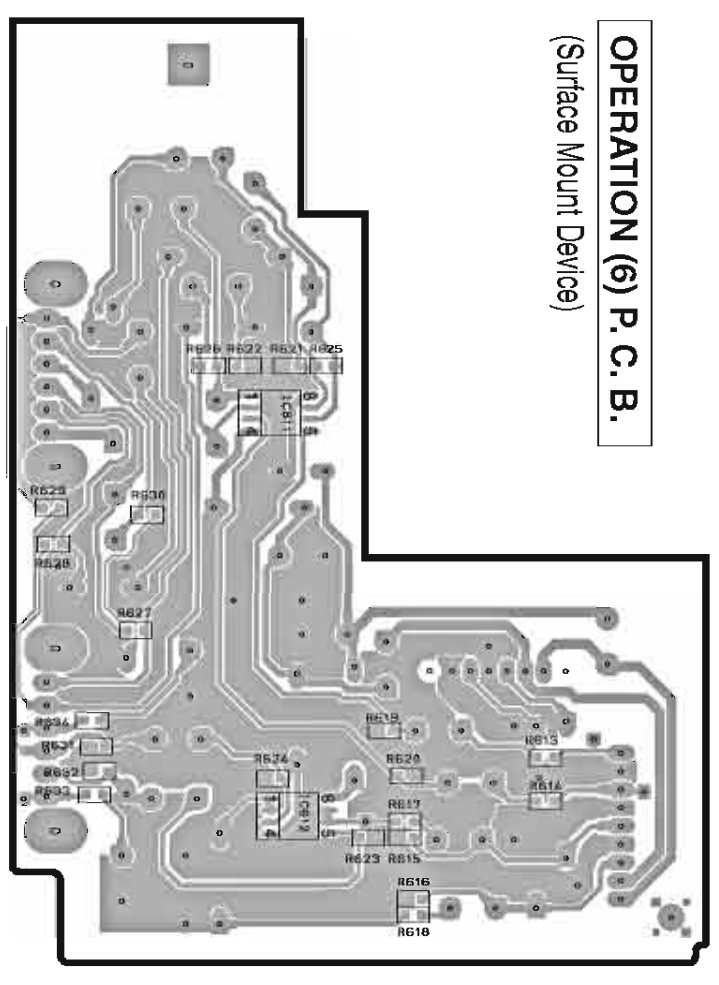
OPERATION (5) P. C. B. (Surface Mount Device)



OPERATION (6) P. C. B. (Lead Type Device)



OPERATION (6) P. C. B. (Surface Mount Device)



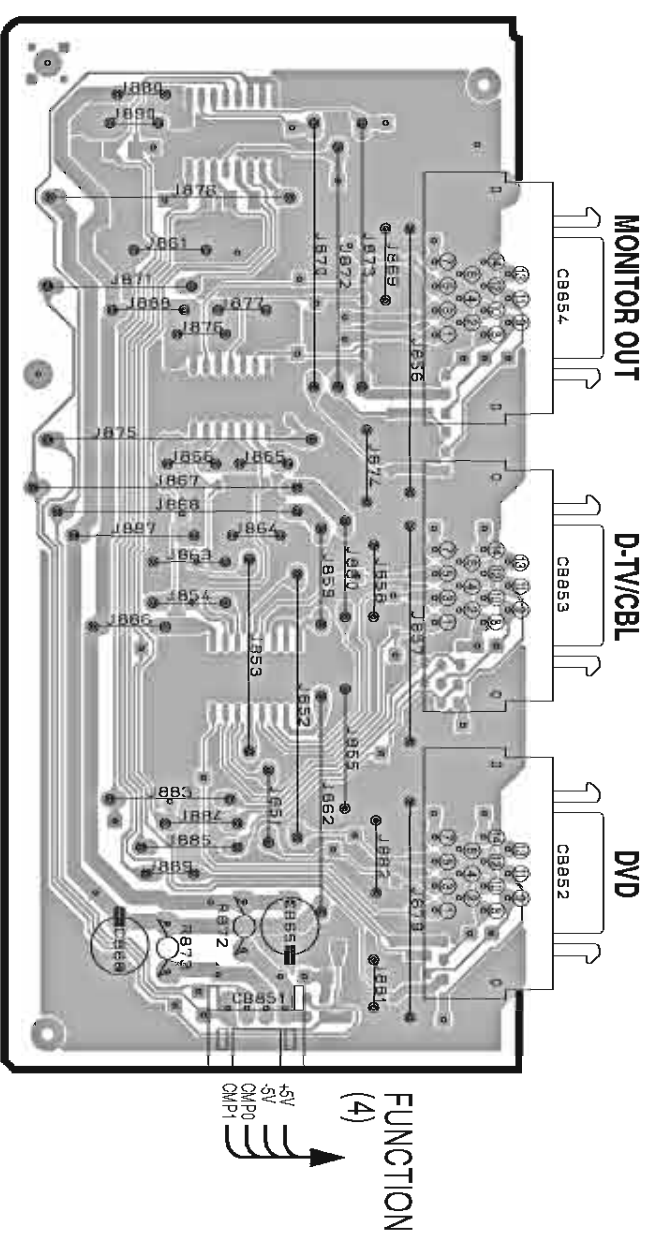
Mount No.	J	R	T	K	L	U	C	A	B	G
D581	X	X	X	X	X	X	X	X	X	X
D582	X	X	X	X	X	X	X	X	X	X
D583	X	X	X	X	X	X	X	X	X	X
D584	X	X	X	X	X	X	X	X	X	X
D601	X	X	X	X	X	X	X	X	X	X
D802	X	X	X	X	X	X	X	X	X	X
D803	X	X	X	X	X	X	X	X	X	X
IC611	X	X	X	X	X	X	X	X	X	X
IC612	X	X	X	X	X	X	X	X	X	X
Q581	X	X	X	X	X	X	X	X	X	X
Q582	X	X	X	X	X	X	X	X	X	X
Q583	X	X	X	X	X	X	X	X	X	X
Q584	X	X	X	X	X	X	X	X	X	X

X: NOT USED  
 O: USED / APPLICABLE

1 ■ PRINTED CIRCUIT BOARD (Foil side)

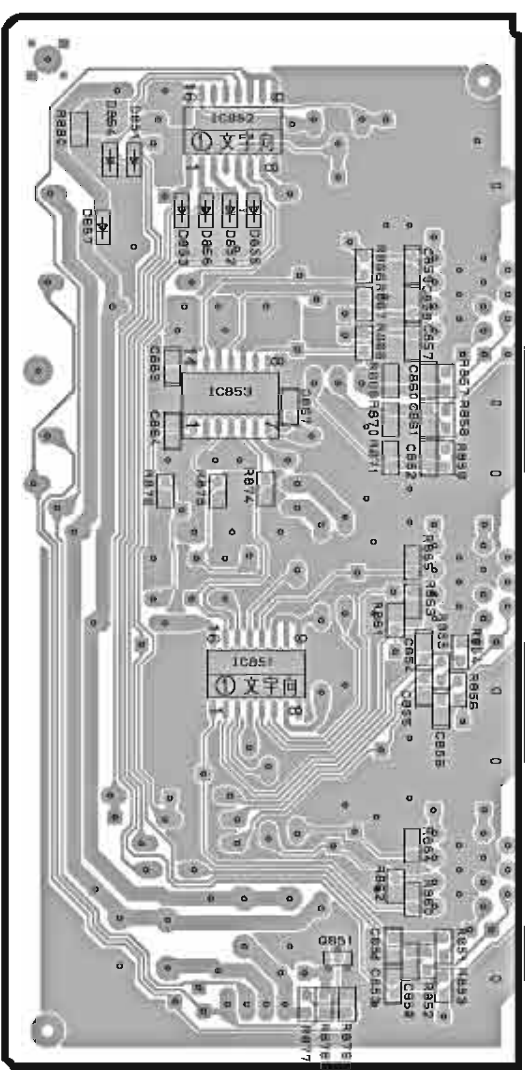
**VIDEO P. C. B.** (Lead Type Device)

J model



**VIDEO P. C. B.** (Surface Mount Device)

J model

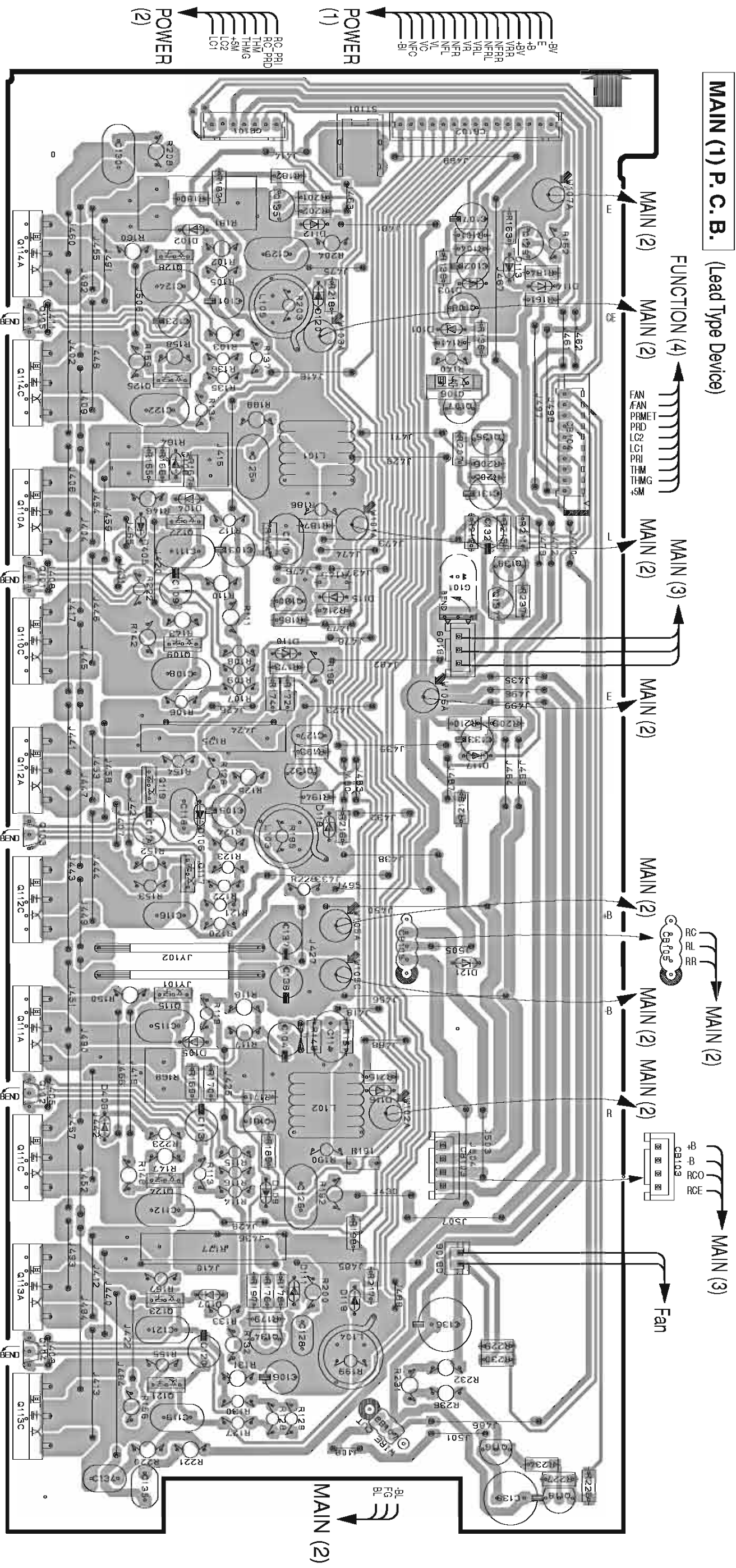


6 • Semiconductor Location

Ref. No.	Location
D851	F3
D852	G3
D853	G3
D854	G3
D855	G3
D856	G3
D857	G3
IC851	H3
IC852	F3
IC853	G3
C851	I3

7

PRINTED CIRCUIT BOARD (Foil side)



MAIN (1) P.C.B. (Lead Type Device)

FUNCTION (4)

MAIN (2)

MAIN (2)

MAIN (3)

MAIN (2)

MAIN (2)

MAIN (2)

MAIN (2)

Fan

MAIN (2)

POWER (1)

POWER (2)

Circuit No.	J	U/C	R	T	A	K	B	G	L
C395, 308-311, 313, 318-320	X	X	X	0	0	0	0	0	0
322, 324, 328-328	0	X	X	X	X	X	X	X	X
330, 302, 305, 306	X	X	X	0	0	0	0	0	0
F333, 334, 338-338	X	X	0	0	0	0	0	0	0
SW307	X	0	0	0	0	0	0	0	0

X: NOT USED  
 0: USED / APPLICABLE

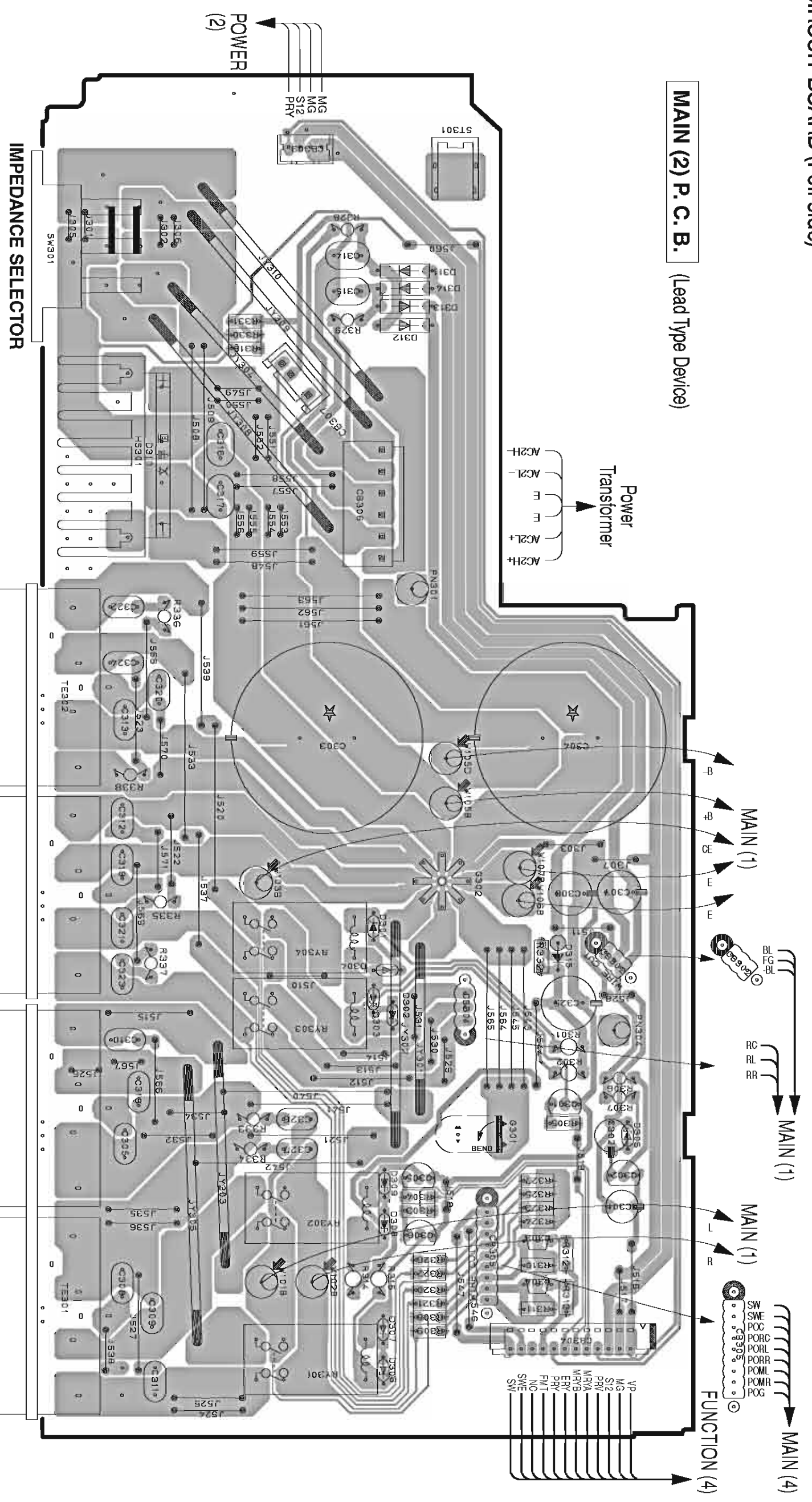
Semiconductor Location

Ref. No.	Location	Ref. No.	Location	Ref. No.	Location	Ref. No.	Location	Ref. No.	Location	Ref. No.	Location	Ref. No.	Location
D101	C3	D110	E4	D119	I4	Q105	C6	Q112A	F6	Q118	J2	Q130	E4
D102	B5	D111	I4	D120	C4	Q106	C3	Q112C	F6	Q119	F5	Q131	H4
D103	C3	D112	B4	D121	G3	Q107	C3	Q113A	I6	Q121	I5	Q132	F4
D104	D5	D113	C3	D405	D5	Q108	C3	Q113C	J6	Q122	D5	Q134	I4
D105	G5	D114	C3	D406	H5	Q109	E5	Q114A	C6	Q123	I5	Q135	B4
D106	F5	D115	E4	Q101	D6	Q110A	D6	Q114C	C6	Q124	H5	Q136	D3
D107	I5	D116	H4	Q102	H6	Q110C	E6	Q115	G5	Q125	C5	Q137	E3
D108	D5	D117	F3	Q103	F6	Q111A	G6	Q116	J3	Q128	C5	Q138	D3
D109	H4	D118	F4	Q104	I6	Q111C	H6	Q117	F5	Q129	B3		



1 ■ PRINTED CIRCUIT BOARD (Foil side)

RX-V740/RX-V740RDS/DSP-AX740  
 RX-V640/RX-V640RDS/HTR-5660/DSP-AX640/DSP-AX640SE

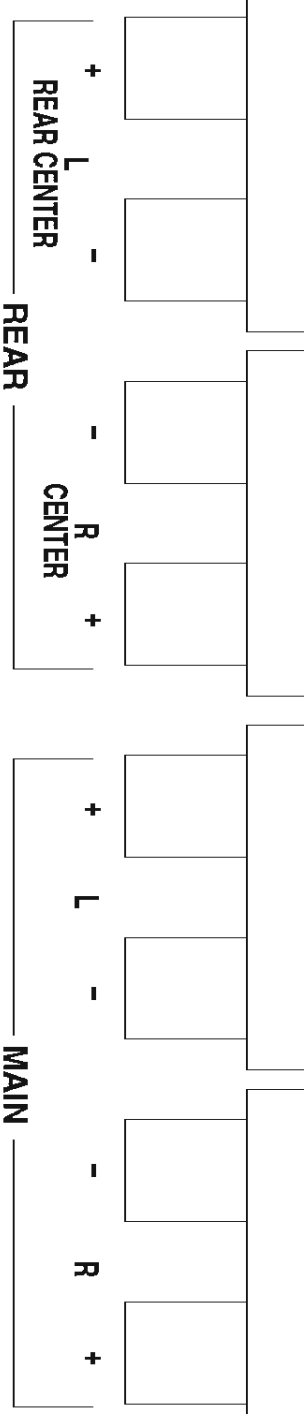


• Semiconductor Location

Ref. No.	Location	Ref. No.	Location	Ref. No.	Location
D301	G4	D308	I4	D315	G3
D302	H4	D309	I4	Q301	H3
D303	G4	D310	D5	Q302	H2
D304	G4	D311	C4	Q303	I3
D305	H2	D312	C4	Q304	I3
D306	J4	D313	C4	Q305	H3
D307	I4	D314	C4	Q306	I3

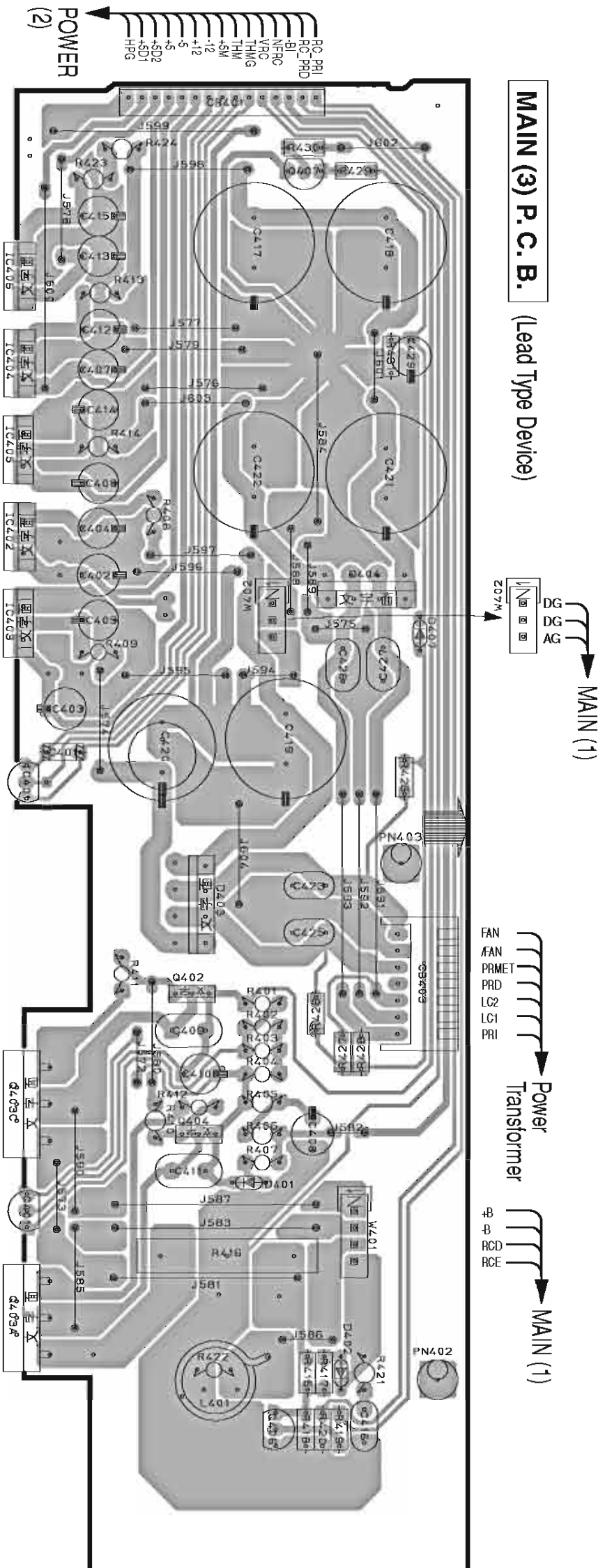
Circuit No.	J	U.C	R.T.A.K.8.8.1
0306-316-311-313-318-387	X	X	O
421-424-426-428	O	X	X
1501-302-506-508	X	X	O
1533-334-336-338	X	O	O
SW301	X	O	O

X: NOT USED  
 O: USED / APPLICABLE

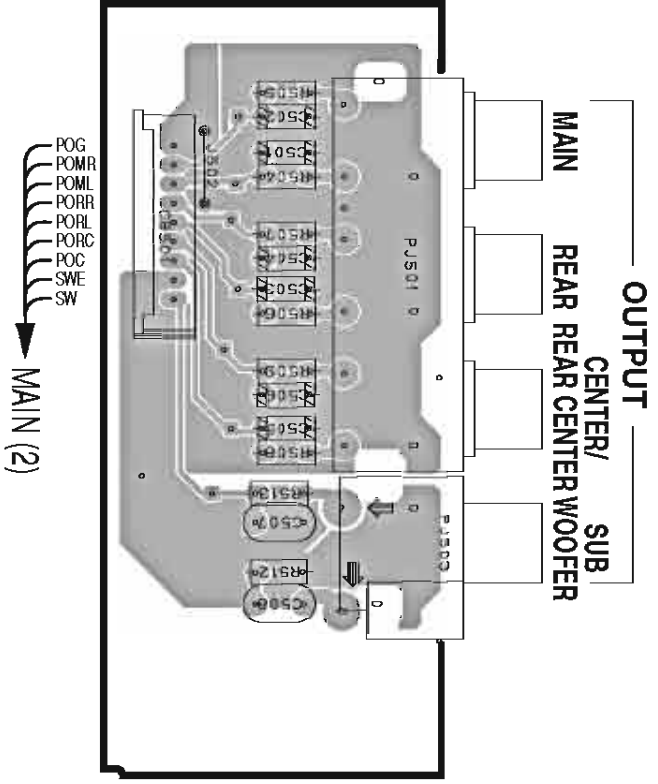


RX-V740/RX-V740RDS/DSP-AX740  
 RX-V640/RX-V640RDS/HTR-5660/DSP-AX640/DSP-AX640SE

PRINTED CIRCUIT BOARD (Foil side)



**MAIN (4) P.C.B. (Lead Type Device)**



Circuit No.	J	U	C	R	T	A	K	B	L
0308 308-311 313 318-320	X	X	X	X	X	X	X	X	X
322-324 324-326	O	X	X	X	X	X	X	X	X
327 302 308 309	X	X	X	X	X	X	X	X	X
333 334 336-338	X	X	X	X	X	X	X	X	X
339	X	X	X	X	X	X	X	X	X

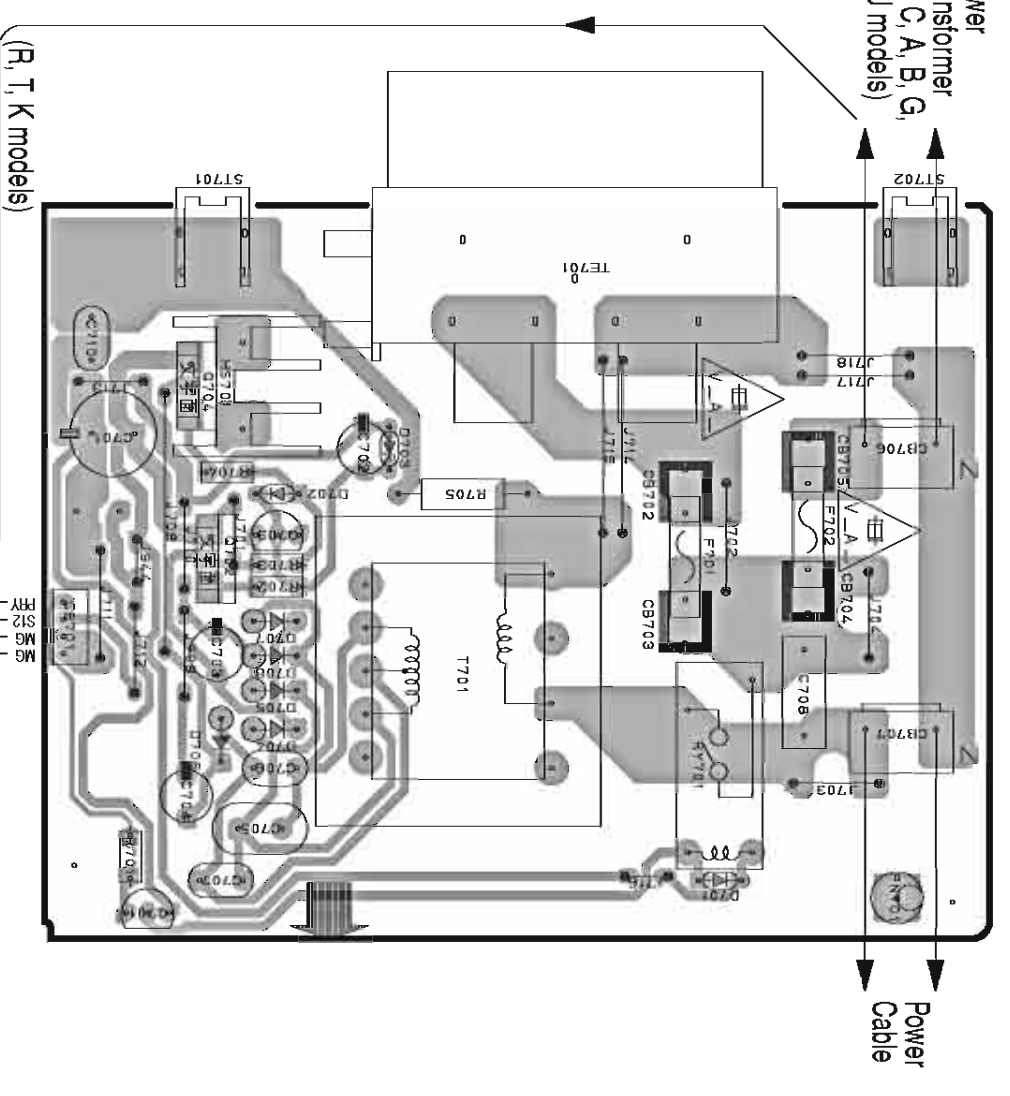
X: NOT USED  
 O: USED / APPLICABLE

• Semiconductor Location

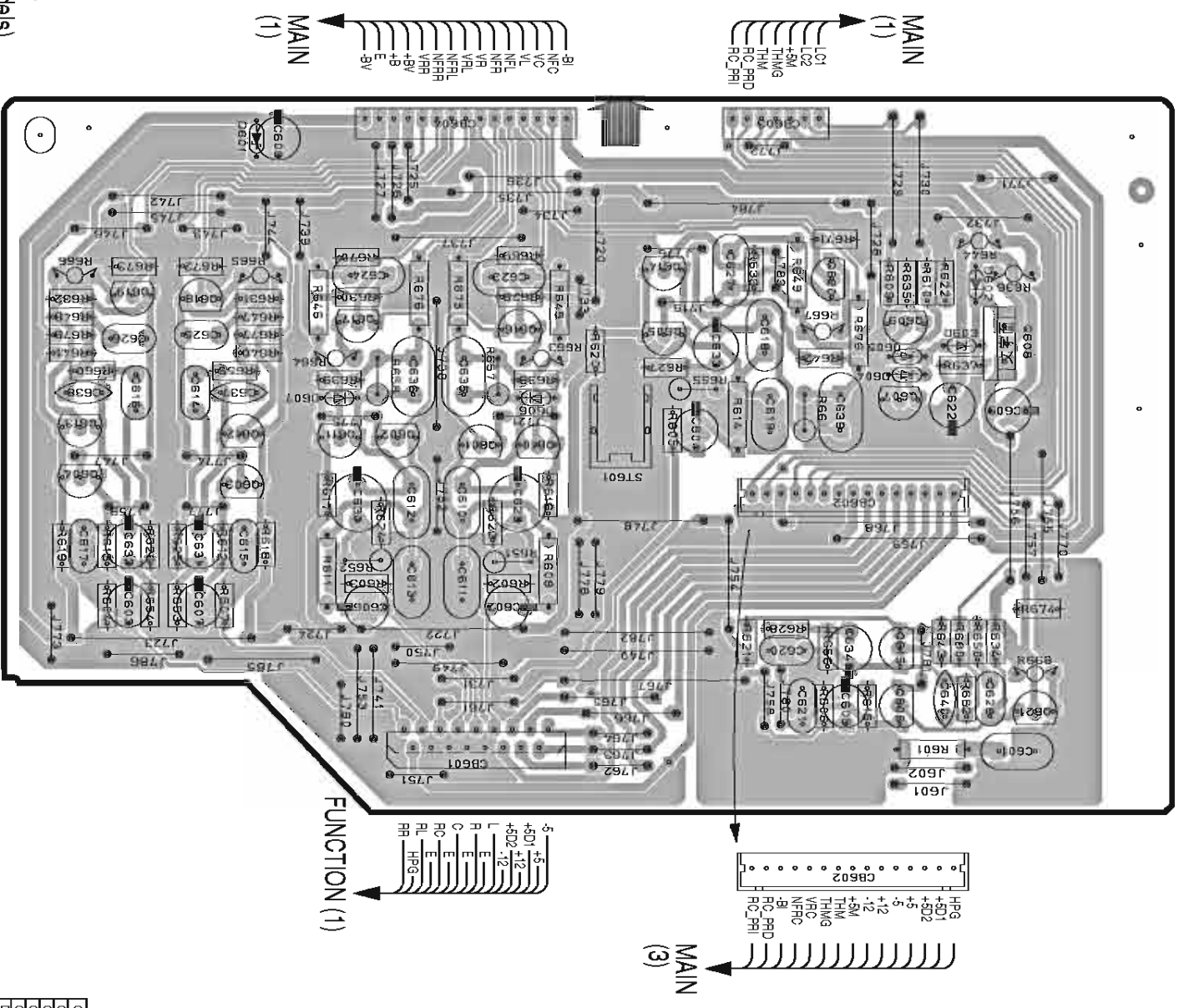
Ref. No.	Location	Ref. No.	Location
D401	G3	IC405	C4
D402	H3	IC406	B4
D403	E3	Q401	G4
D404	D2	Q402	F3
D407	D2	Q403A	G4
IC401	E4	Q403C	F4
IC402	D4	Q404	G3
IC403	D4	Q406	H3
IC404	C4	Q407	B3

1 ■ PRINTED CIRCUIT BOARD (Foil side)

POWER (2) P.C.B. (Lead Type Device)

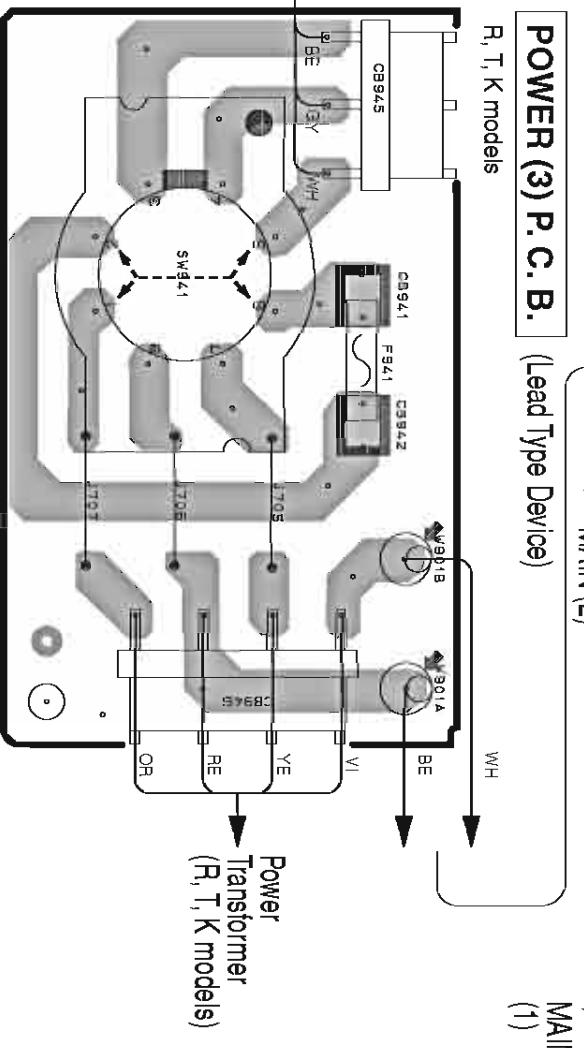


POWER (1) P.C.B. (Lead Type Device)



VOLTAGE SELECTOR

240V	1-2/5-6
220V	2-3/6-7
110V	3-4/7-8
120V	4-5/8-1



• Semiconductor Location

Ref. No.	Location
D601	E5
D602	F2
D603	F3
D604	F3
D605	F3
D606	F4
D607	F5
D701	D3
D702	C4
D703	B4
D704	C4
D705	C4
D706	C4
D707	C4
D708	C4
D709	C4
D801	G5
D802	G5
D803	G6
D804	G6
D805	F4
D806	F4
D807	F3
D808	F2
D809	F3
D810	G4
D811	G5
D812	G6
D813	G6
D814	F4
D815	G3
D816	F4
D817	F5
D818	F6
D819	F6
D820	F3
D821	H2
D701	D5
D702	C4
D703	C4
D704	B4

Chart No.	J	U,C	R,T,K	A	B	G,L
OT32-704, 708, 707	X	X	X	X	X	X
OT32-703	X	X	X	X	X	X
OT32-702	X	X	X	X	X	X
OT32-701	X	X	X	X	X	X
OT32-700	X	X	X	X	X	X
OT32-704	X	X	X	X	X	X
OT32-703	X	X	X	X	X	X
OT32-702	X	X	X	X	X	X
OT32-701	X	X	X	X	X	X
OT32-700	X	X	X	X	X	X
OT32-704	X	X	X	X	X	X
OT32-703	X	X	X	X	X	X
OT32-702	X	X	X	X	X	X
OT32-701	X	X	X	X	X	X
OT32-700	X	X	X	X	X	X

X: NOT USED  
 O: USED/APPLICABLE

■ PIN CONNECTION DIAGRAM

• ICs

LM61CIZ 	NUM78L05A-T3 	NUM7805FA NUM7812FA 	NUM79M05FA NUM79M12FA 	μPC29M33T-E1 	PQ025EZ5M2P 	NUM2068MD NUM2904M TK1542DM μPC4570G2 
NUM4556AL 	74LCX07SUX NUM2581M 	MM74HC04 TC74HC164AF TC74HC100AF TC74HC108AF TC74HC104AF 	AK4381VT LA7104M LA7108M 	TC74HC153AF TC74HC4051AFEEL TC74HC4052AF 	TC74HC4053AF 	
YA0620-EE2 	LC72722 	LC74781-9798 	CY62256LL 	BD3841FS MX23C4000TC-10 		
LA7109 	MSM514260E-60US 	AK4529VQ 	CS43284-CL CS43292-CLR 	M66003-0101FP 		
M30626FHFPF 	XC9572XL-10Q100C 	YSS938 				

• Diodes

1N4002S 1SS133 1SS176 1SS244 1SS270A 1T2 	MTZJ2.4B MTZJ4.7C MTZJ7.5C MTZJ12.0A MTZJ12.0C MTZJ13.0A MTZJ15.0C MTZJ30.0A 	1SS355 MA8051-M MA8056-M MA8062-M MA8068-M MA8091-M R9501V-40 RLZ7.5B 	
TS6P03G 		KBP103G 	

• Transistors

2SA893A 2SA1015 2SB647 2SB949 2SC535 2SC1815 2SC1890A 2SC2240 2SC2878 	2SC1740S 2SD1915F 	2SB1274 2SD2396 	2SA1695 2SC4468 
2SA1037K 2SC2412K 2SC3326 DTA144EK 	2SA1770 2SC4498 2SC4614 	2SK246 	















NO.	SYMBOL	DESCRIPTION	QTY	UNIT	REMARKS
1	IC301	IC301: RB3841FS	1	PCB	FUNCTION SWITCH
2	IC302	IC302: TC74HC462AF	1	PCB	ANALOG MULTIPLEXER/DENUDER
3	IC303	IC303: TC74HC462AF	1	PCB	ANALOG MULTIPLEXER/DENUDER
4	IC304	IC304: 395, 319, 329 TC74HC462AF	1	PCB	ANALOG MULTIPLEXER/DENUDER
5	IC305	IC305: 313, 315, N4M7088MD	1	PCB	8-BIT SHIFTER REGISTER
6	IC306	IC306: 4091 V4CS20EE2	1	PCB	STEREO DIGITAL VOLUME CONTROLLER

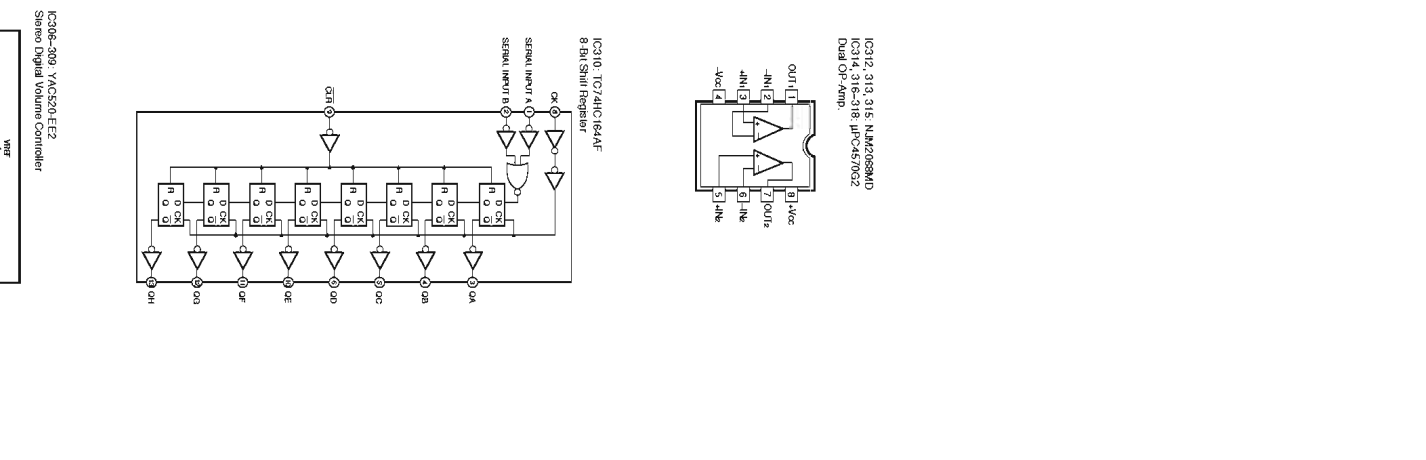
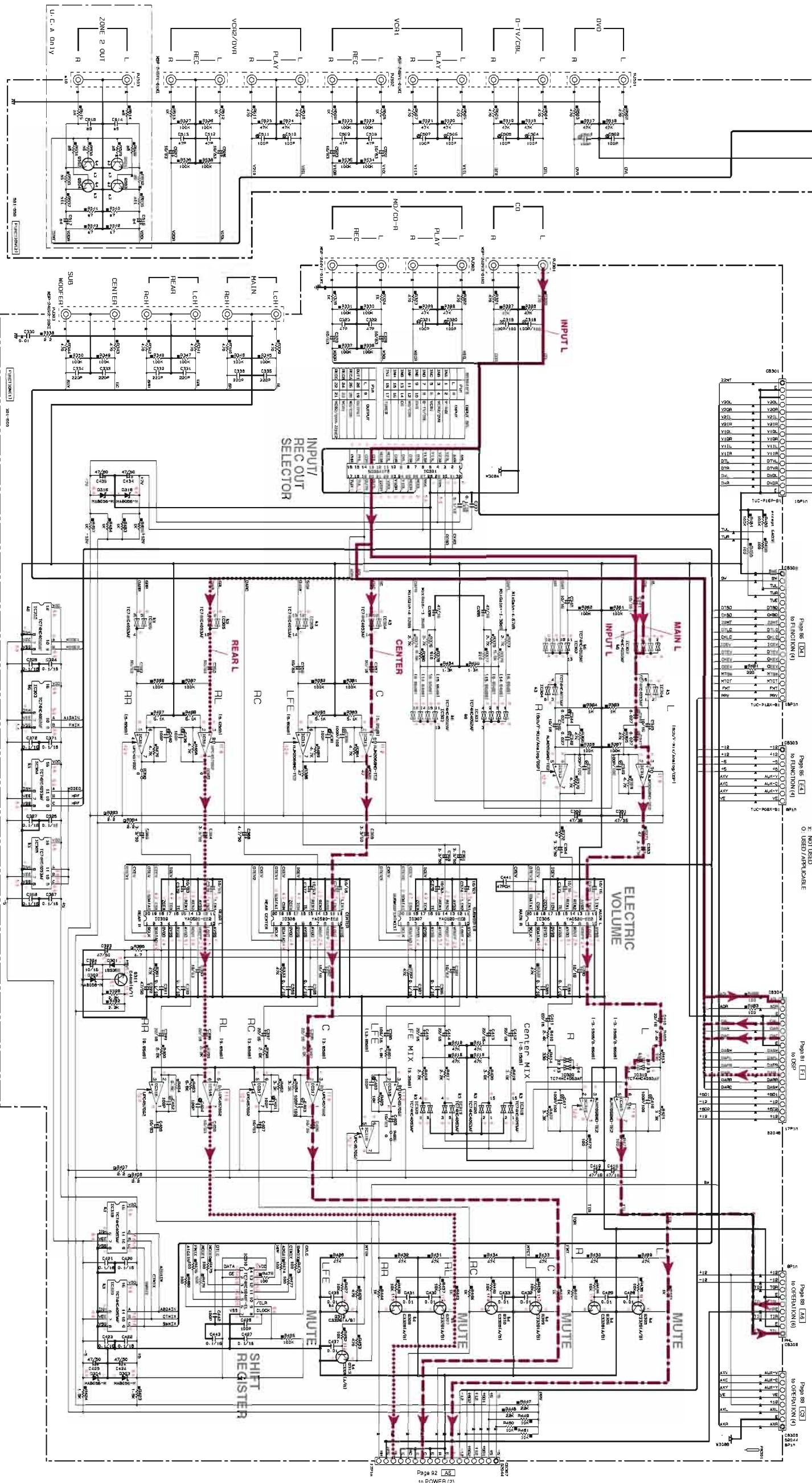
NO.	SYMBOL	DESCRIPTION	QTY	UNIT	REMARKS
1	IC301	IC301: RB3841FS	1	PCB	FUNCTION SWITCH
2	IC302	IC302: TC74HC462AF	1	PCB	ANALOG MULTIPLEXER/DENUDER
3	IC303	IC303: TC74HC462AF	1	PCB	ANALOG MULTIPLEXER/DENUDER
4	IC304	IC304: 395, 319, 329 TC74HC462AF	1	PCB	ANALOG MULTIPLEXER/DENUDER
5	IC305	IC305: 313, 315, N4M7088MD	1	PCB	8-BIT SHIFTER REGISTER
6	IC306	IC306: 4091 V4CS20EE2	1	PCB	STEREO DIGITAL VOLUME CONTROLLER

NO.	SYMBOL	DESCRIPTION	QTY	UNIT	REMARKS
1	IC301	IC301: RB3841FS	1	PCB	FUNCTION SWITCH
2	IC302	IC302: TC74HC462AF	1	PCB	ANALOG MULTIPLEXER/DENUDER
3	IC303	IC303: TC74HC462AF	1	PCB	ANALOG MULTIPLEXER/DENUDER
4	IC304	IC304: 395, 319, 329 TC74HC462AF	1	PCB	ANALOG MULTIPLEXER/DENUDER
5	IC305	IC305: 313, 315, N4M7088MD	1	PCB	8-BIT SHIFTER REGISTER
6	IC306	IC306: 4091 V4CS20EE2	1	PCB	STEREO DIGITAL VOLUME CONTROLLER

NO.	SYMBOL	DESCRIPTION	QTY	UNIT	REMARKS
1	IC301	IC301: RB3841FS	1	PCB	FUNCTION SWITCH
2	IC302	IC302: TC74HC462AF	1	PCB	ANALOG MULTIPLEXER/DENUDER
3	IC303	IC303: TC74HC462AF	1	PCB	ANALOG MULTIPLEXER/DENUDER
4	IC304	IC304: 395, 319, 329 TC74HC462AF	1	PCB	ANALOG MULTIPLEXER/DENUDER
5	IC305	IC305: 313, 315, N4M7088MD	1	PCB	8-BIT SHIFTER REGISTER
6	IC306	IC306: 4091 V4CS20EE2	1	PCB	STEREO DIGITAL VOLUME CONTROLLER

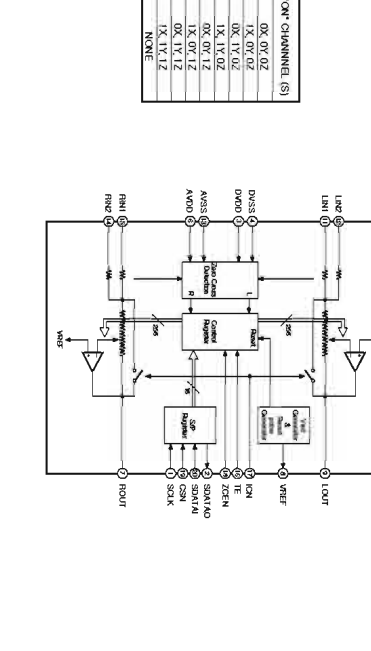
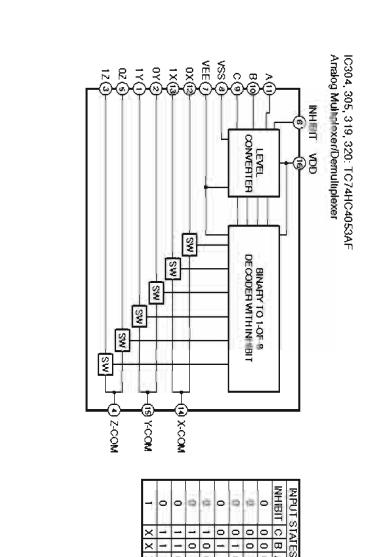
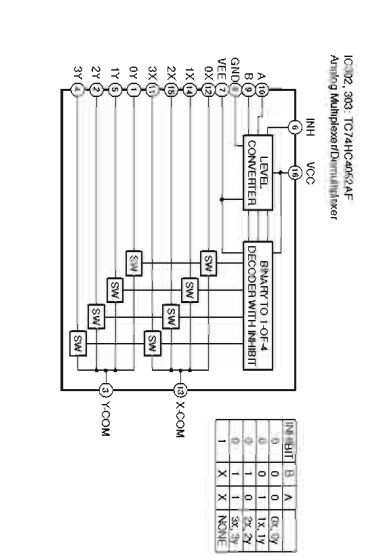
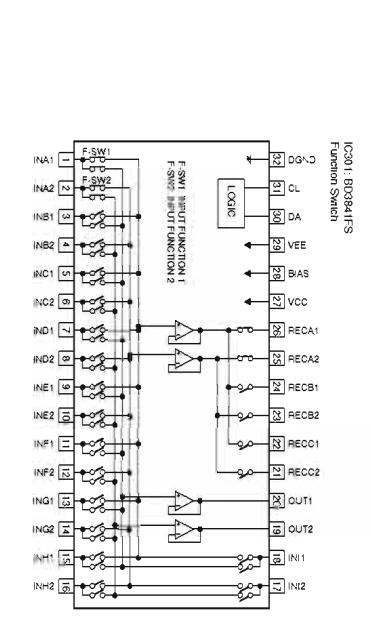
NO.	SYMBOL	DESCRIPTION	QTY	UNIT	REMARKS
1	IC301	IC301: RB3841FS	1	PCB	FUNCTION SWITCH
2	IC302	IC302: TC74HC462AF	1	PCB	ANALOG MULTIPLEXER/DENUDER
3	IC303	IC303: TC74HC462AF	1	PCB	ANALOG MULTIPLEXER/DENUDER
4	IC304	IC304: 395, 319, 329 TC74HC462AF	1	PCB	ANALOG MULTIPLEXER/DENUDER
5	IC305	IC305: 313, 315, N4M7088MD	1	PCB	8-BIT SHIFTER REGISTER
6	IC306	IC306: 4091 V4CS20EE2	1	PCB	STEREO DIGITAL VOLUME CONTROLLER

NO.	SYMBOL	DESCRIPTION	QTY	UNIT	REMARKS
1	IC301	IC301: RB3841FS	1	PCB	FUNCTION SWITCH
2	IC302	IC302: TC74HC462AF	1	PCB	ANALOG MULTIPLEXER/DENUDER
3	IC303	IC303: TC74HC462AF	1	PCB	ANALOG MULTIPLEXER/DENUDER
4	IC304	IC304: 395, 319, 329 TC74HC462AF	1	PCB	ANALOG MULTIPLEXER/DENUDER
5	IC305	IC305: 313, 315, N4M7088MD	1	PCB	8-BIT SHIFTER REGISTER
6	IC306	IC306: 4091 V4CS20EE2	1	PCB	STEREO DIGITAL VOLUME CONTROLLER



● 電圧は、内部抵抗が10MΩの電圧計で測定したものです。  
 ● △印のある部品は、安全性確保部品を示しています。部品の交換が必要な場合、パーツリストに記載されている部品を使用してください。  
 ● 本回路図は標準回路図です。改良のため予告なく変更することがあります。

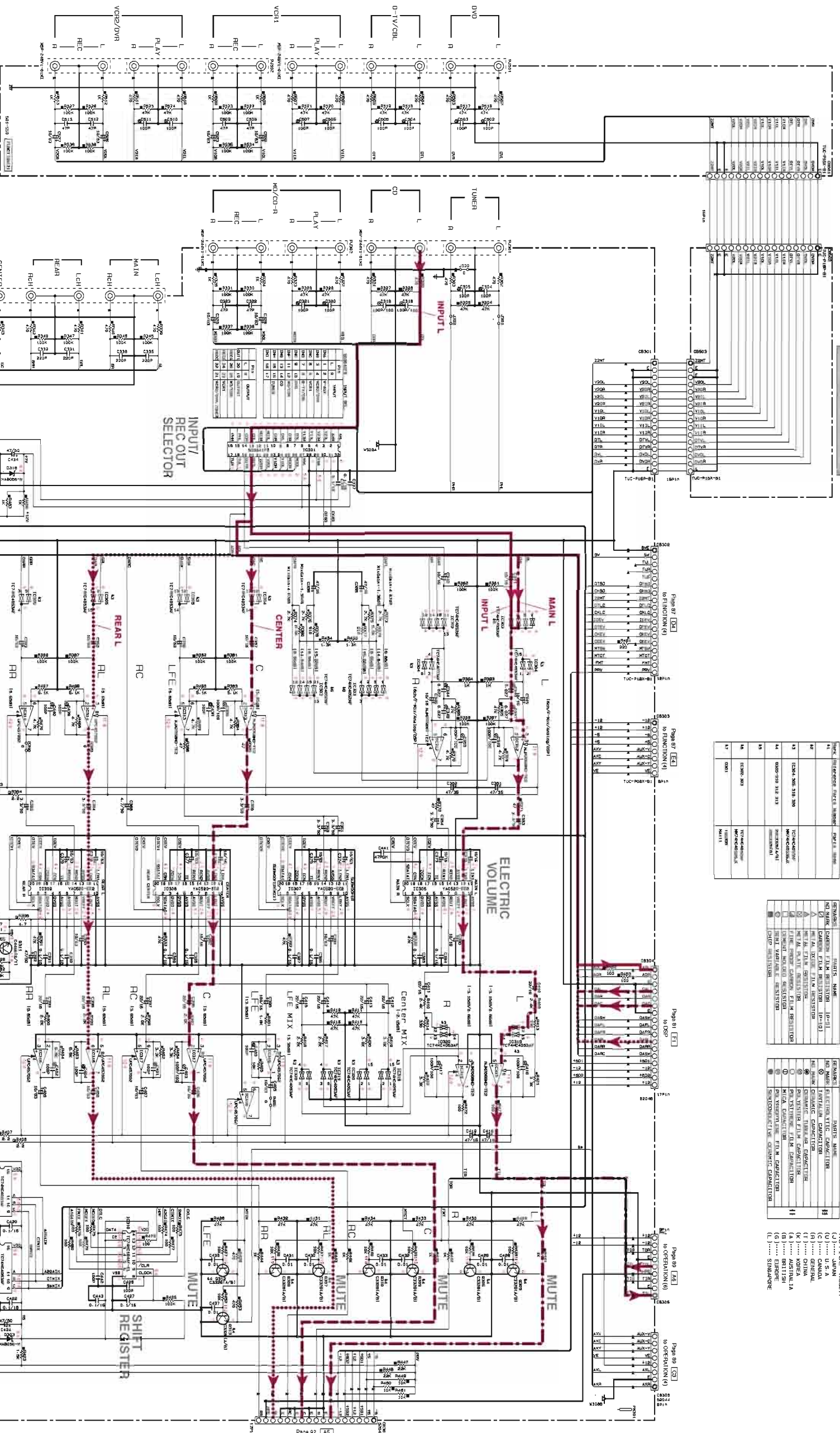
\* All voltages are measured with a 10MΩV DC electric volt meter.  
 \* Components having special characteristics are marked △ and must be replaced with parts having specifications equal to those originally installed.  
 \* Schematic diagram is subject to change without notice.











RESISTORS (Part 16, AT, Manufacturer's Data)

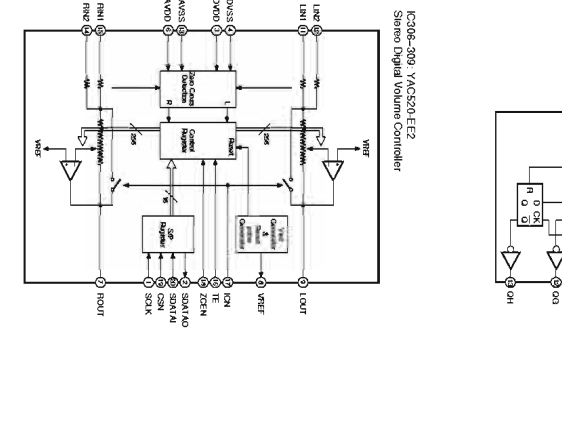
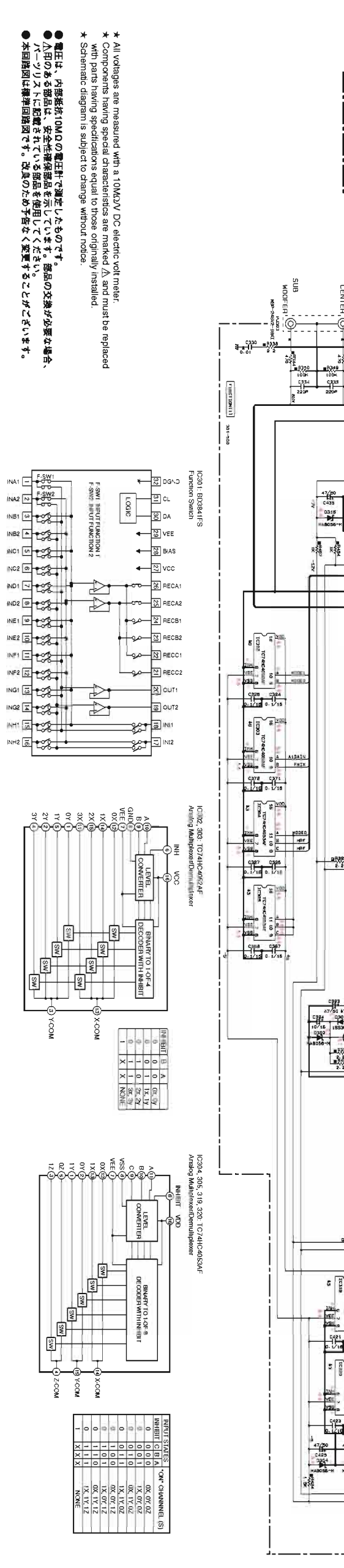
RESISTOR	MARKING	RESISTANCE
R1	100K	100,000 Ω
R2	100K	100,000 Ω
R3	100K	100,000 Ω
R4	100K	100,000 Ω
R5	100K	100,000 Ω
R6	100K	100,000 Ω
R7	100K	100,000 Ω
R8	100K	100,000 Ω
R9	100K	100,000 Ω
R10	100K	100,000 Ω
R11	100K	100,000 Ω
R12	100K	100,000 Ω
R13	100K	100,000 Ω
R14	100K	100,000 Ω
R15	100K	100,000 Ω
R16	100K	100,000 Ω
R17	100K	100,000 Ω
R18	100K	100,000 Ω
R19	100K	100,000 Ω
R20	100K	100,000 Ω
R21	100K	100,000 Ω
R22	100K	100,000 Ω
R23	100K	100,000 Ω
R24	100K	100,000 Ω
R25	100K	100,000 Ω
R26	100K	100,000 Ω
R27	100K	100,000 Ω
R28	100K	100,000 Ω
R29	100K	100,000 Ω
R30	100K	100,000 Ω
R31	100K	100,000 Ω
R32	100K	100,000 Ω
R33	100K	100,000 Ω
R34	100K	100,000 Ω
R35	100K	100,000 Ω
R36	100K	100,000 Ω
R37	100K	100,000 Ω
R38	100K	100,000 Ω
R39	100K	100,000 Ω
R40	100K	100,000 Ω
R41	100K	100,000 Ω
R42	100K	100,000 Ω
R43	100K	100,000 Ω
R44	100K	100,000 Ω
R45	100K	100,000 Ω
R46	100K	100,000 Ω
R47	100K	100,000 Ω
R48	100K	100,000 Ω
R49	100K	100,000 Ω
R50	100K	100,000 Ω
R51	100K	100,000 Ω
R52	100K	100,000 Ω
R53	100K	100,000 Ω
R54	100K	100,000 Ω
R55	100K	100,000 Ω
R56	100K	100,000 Ω
R57	100K	100,000 Ω
R58	100K	100,000 Ω
R59	100K	100,000 Ω
R60	100K	100,000 Ω
R61	100K	100,000 Ω
R62	100K	100,000 Ω
R63	100K	100,000 Ω
R64	100K	100,000 Ω
R65	100K	100,000 Ω
R66	100K	100,000 Ω
R67	100K	100,000 Ω
R68	100K	100,000 Ω
R69	100K	100,000 Ω
R70	100K	100,000 Ω
R71	100K	100,000 Ω
R72	100K	100,000 Ω
R73	100K	100,000 Ω
R74	100K	100,000 Ω
R75	100K	100,000 Ω
R76	100K	100,000 Ω
R77	100K	100,000 Ω
R78	100K	100,000 Ω
R79	100K	100,000 Ω
R80	100K	100,000 Ω
R81	100K	100,000 Ω
R82	100K	100,000 Ω
R83	100K	100,000 Ω
R84	100K	100,000 Ω
R85	100K	100,000 Ω
R86	100K	100,000 Ω
R87	100K	100,000 Ω
R88	100K	100,000 Ω
R89	100K	100,000 Ω
R90	100K	100,000 Ω
R91	100K	100,000 Ω
R92	100K	100,000 Ω
R93	100K	100,000 Ω
R94	100K	100,000 Ω
R95	100K	100,000 Ω
R96	100K	100,000 Ω
R97	100K	100,000 Ω
R98	100K	100,000 Ω
R99	100K	100,000 Ω
R100	100K	100,000 Ω

CONDENSATORS (Part 16, AT, Manufacturer's Data)

CONDENSATOR	MARKING	CAPACITANCE
C1	100000	100,000 pF
C2	100000	100,000 pF
C3	100000	100,000 pF
C4	100000	100,000 pF
C5	100000	100,000 pF
C6	100000	100,000 pF
C7	100000	100,000 pF
C8	100000	100,000 pF
C9	100000	100,000 pF
C10	100000	100,000 pF
C11	100000	100,000 pF
C12	100000	100,000 pF
C13	100000	100,000 pF
C14	100000	100,000 pF
C15	100000	100,000 pF
C16	100000	100,000 pF
C17	100000	100,000 pF
C18	100000	100,000 pF
C19	100000	100,000 pF
C20	100000	100,000 pF
C21	100000	100,000 pF
C22	100000	100,000 pF
C23	100000	100,000 pF
C24	100000	100,000 pF
C25	100000	100,000 pF
C26	100000	100,000 pF
C27	100000	100,000 pF
C28	100000	100,000 pF
C29	100000	100,000 pF
C30	100000	100,000 pF
C31	100000	100,000 pF
C32	100000	100,000 pF
C33	100000	100,000 pF
C34	100000	100,000 pF
C35	100000	100,000 pF
C36	100000	100,000 pF
C37	100000	100,000 pF
C38	100000	100,000 pF
C39	100000	100,000 pF
C40	100000	100,000 pF
C41	100000	100,000 pF
C42	100000	100,000 pF
C43	100000	100,000 pF
C44	100000	100,000 pF
C45	100000	100,000 pF
C46	100000	100,000 pF
C47	100000	100,000 pF
C48	100000	100,000 pF
C49	100000	100,000 pF
C50	100000	100,000 pF
C51	100000	100,000 pF
C52	100000	100,000 pF
C53	100000	100,000 pF
C54	100000	100,000 pF
C55	100000	100,000 pF
C56	100000	100,000 pF
C57	100000	100,000 pF
C58	100000	100,000 pF
C59	100000	100,000 pF
C60	100000	100,000 pF
C61	100000	100,000 pF
C62	100000	100,000 pF
C63	100000	100,000 pF
C64	100000	100,000 pF
C65	100000	100,000 pF
C66	100000	100,000 pF
C67	100000	100,000 pF
C68	100000	100,000 pF
C69	100000	100,000 pF
C70	100000	100,000 pF
C71	100000	100,000 pF
C72	100000	100,000 pF
C73	100000	100,000 pF
C74	100000	100,000 pF
C75	100000	100,000 pF
C76	100000	100,000 pF
C77	100000	100,000 pF
C78	100000	100,000 pF
C79	100000	100,000 pF
C80	100000	100,000 pF
C81	100000	100,000 pF
C82	100000	100,000 pF
C83	100000	100,000 pF
C84	100000	100,000 pF
C85	100000	100,000 pF
C86	100000	100,000 pF
C87	100000	100,000 pF
C88	100000	100,000 pF
C89	100000	100,000 pF
C90	100000	100,000 pF
C91	100000	100,000 pF
C92	100000	100,000 pF
C93	100000	100,000 pF
C94	100000	100,000 pF
C95	100000	100,000 pF
C96	100000	100,000 pF
C97	100000	100,000 pF
C98	100000	100,000 pF
C99	100000	100,000 pF
C100	100000	100,000 pF

NOTICE (Part 16)

(U) : U.S.A.  
 (C) : CANADA  
 (R) : GERMANY  
 (K) : KOREA  
 (A) : AUSTRALIA  
 (B) : BRITAIN  
 (S) : SWITZERLAND  
 (L) : SWEDEN



● 電圧は、内部抵抗10MΩの電圧計で測定したものです。  
 ● △印のある部品は、安全性確保部品を示しています。部品の交換が必要な場合、  
 パーツリストに記載されている部品を使用してください。  
 ● 本回路図は標準回路図です。改良のため予告なく変更することがあります。

★ All voltages are measured with a 10MΩV DC electric volt meter.  
 ★ Components having special characteristics are marked △ and must be replaced  
 with parts having specifications equal to those originally installed.  
 ★ Schematic diagram is subject to change without notice.

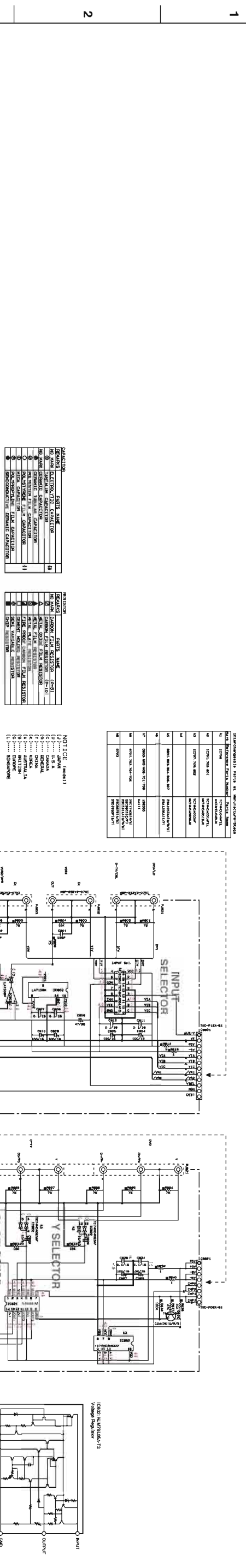
IC301 RB3841FS  
Function Switch

FUNCTION	SW1	SW2	SW3	SW4	SW5	SW6	SW7	SW8	SW9	SW10	SW11	SW12	SW13	SW14	SW15	SW16	SW17	SW18	SW19	SW20
MAIN	ON	OFF	OFF	OFF	OFF	OFF	OFF	OFF	OFF	OFF	OFF	OFF	OFF	OFF	OFF	OFF	OFF	OFF	OFF	OFF
REAR	OFF	ON	OFF	OFF	OFF	OFF	OFF	OFF	OFF	OFF	OFF	OFF	OFF	OFF	OFF	OFF	OFF	OFF	OFF	OFF
CENTER	OFF	OFF	ON	OFF	OFF	OFF	OFF	OFF	OFF	OFF	OFF	OFF	OFF	OFF	OFF	OFF	OFF	OFF	OFF	OFF
REAR L	OFF	OFF	OFF	ON	OFF	OFF	OFF	OFF	OFF	OFF	OFF	OFF	OFF	OFF	OFF	OFF	OFF	OFF	OFF	OFF
REAR R	OFF	OFF	OFF	OFF	ON	OFF	OFF	OFF	OFF	OFF	OFF	OFF	OFF	OFF	OFF	OFF	OFF	OFF	OFF	OFF
CENTER MIX	OFF	OFF	OFF	OFF	OFF	ON	OFF	OFF	OFF	OFF	OFF	OFF	OFF	OFF	OFF	OFF	OFF	OFF	OFF	OFF
LFE MIX	OFF	OFF	OFF	OFF	OFF	OFF	ON	OFF	OFF	OFF	OFF	OFF	OFF	OFF	OFF	OFF	OFF	OFF	OFF	OFF
RC	OFF	OFF	OFF	OFF	OFF	OFF	OFF	ON	OFF	OFF	OFF	OFF	OFF	OFF	OFF	OFF	OFF	OFF	OFF	OFF
RL	OFF	OFF	OFF	OFF	OFF	OFF	OFF	OFF	ON	OFF	OFF	OFF	OFF	OFF	OFF	OFF	OFF	OFF	OFF	OFF
RC	OFF	OFF	OFF	OFF	OFF	OFF	OFF	OFF	OFF	ON	OFF	OFF	OFF	OFF	OFF	OFF	OFF	OFF	OFF	OFF
RL	OFF	OFF	OFF	OFF	OFF	OFF	OFF	OFF	OFF	OFF	ON	OFF	OFF	OFF	OFF	OFF	OFF	OFF	OFF	OFF
RC	OFF	OFF	OFF	OFF	OFF	OFF	OFF	OFF	OFF	OFF	OFF	ON	OFF	OFF	OFF	OFF	OFF	OFF	OFF	OFF
RL	OFF	OFF	OFF	OFF	OFF	OFF	OFF	OFF	OFF	OFF	OFF	OFF	ON	OFF	OFF	OFF	OFF	OFF	OFF	OFF
RC	OFF	OFF	OFF	OFF	OFF	OFF	OFF	OFF	OFF	OFF	OFF	OFF	OFF	ON	OFF	OFF	OFF	OFF	OFF	OFF
RL	OFF	OFF	OFF	OFF	OFF	OFF	OFF	OFF	OFF	OFF	OFF	OFF	OFF	OFF	ON	OFF	OFF	OFF	OFF	OFF

IC302, IC303, IC304, IC305 TC74HC462AF  
Analog Multiplexer/Demultiplexer

INHIBIT	VDD	A	B	Y	Z
0	0	0	0	0	0
0	0	0	1	1	0
0	0	1	0	0	1
0	0	1	1	1	1
0	1	0	0	0	0
0	1	0	1	1	0
0	1	1	0	0	1
0	1	1	1	1	1
1	0	0	0	0	0
1	0	0	1	1	0
1	0	1	0	0	1
1	0	1	1	1	1
1					



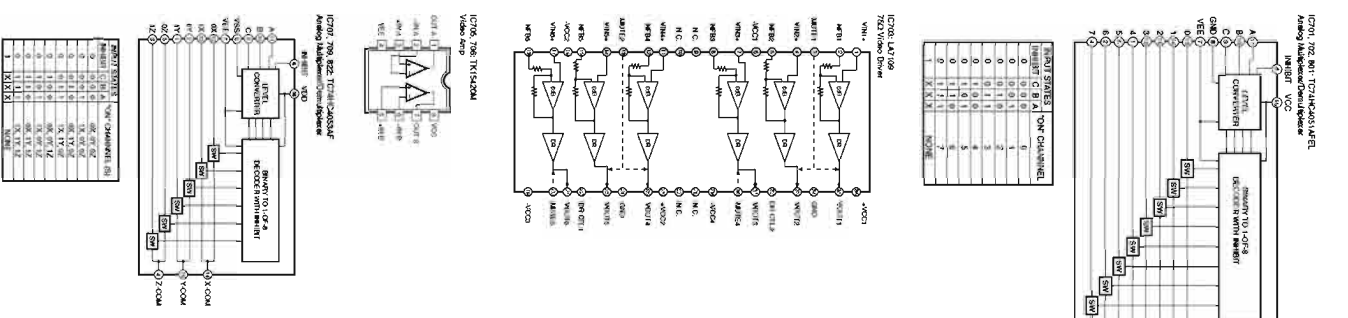
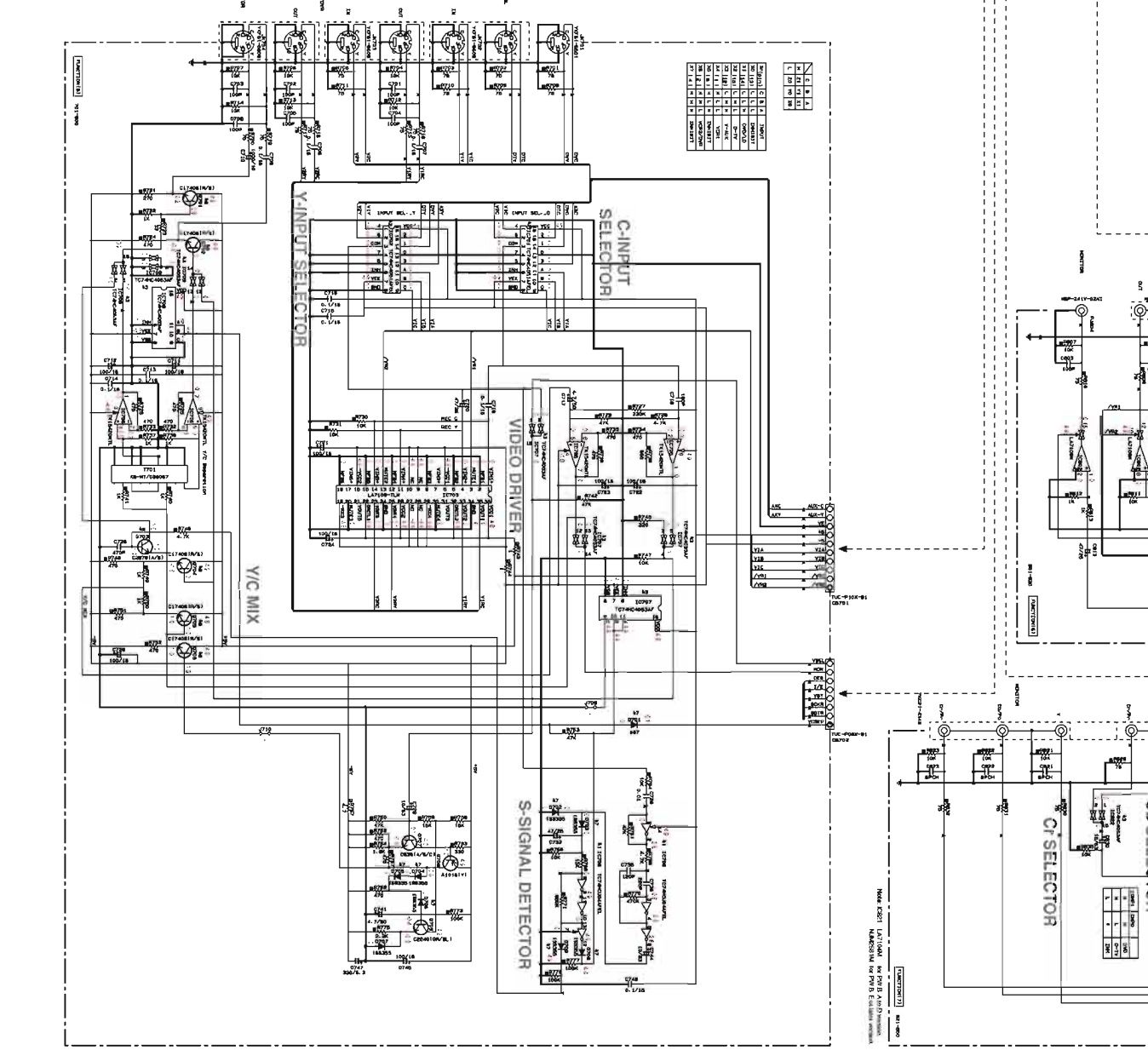
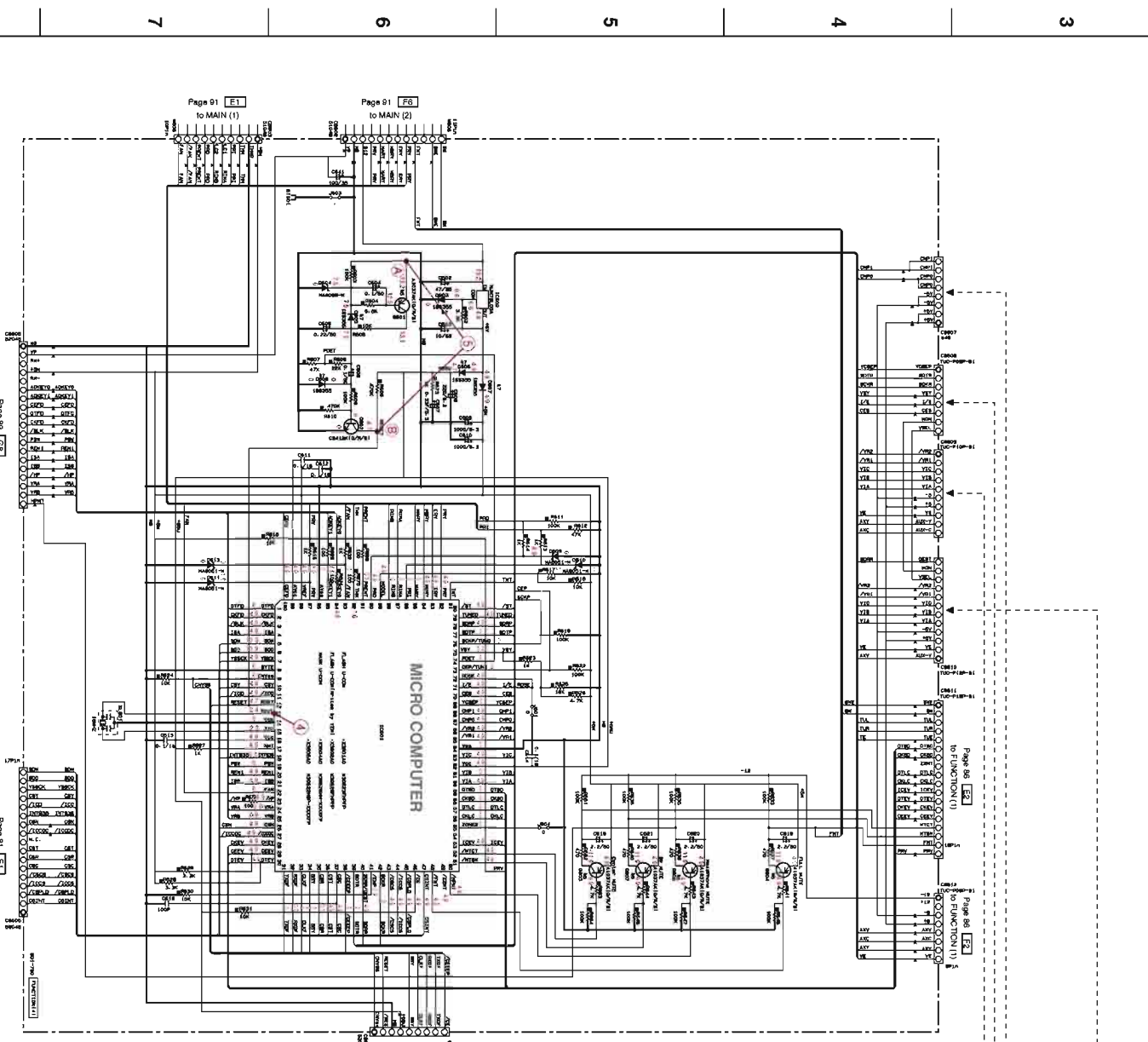


NOTICE (continued)

SECTION	POINT NAME	TEST POINT
INPUT SELECTOR	①	INPUT SELECTOR
VIDEO DRIVER	②	VIDEO DRIVER
Y/C MIX	③	Y/C MIX
S-SIGNAL DETECTOR	④	S-SIGNAL DETECTOR
Y SELECTOR	⑤	Y SELECTOR
C/B SELECTOR	⑥	C/B SELECTOR
C/T SELECTOR	⑦	C/T SELECTOR

NOTICE (continued)

SECTION	POINT NAME	TEST POINT
INPUT SELECTOR	⑧	INPUT SELECTOR
VIDEO DRIVER	⑨	VIDEO DRIVER
Y/C MIX	⑩	Y/C MIX
S-SIGNAL DETECTOR	⑪	S-SIGNAL DETECTOR
Y SELECTOR	⑫	Y SELECTOR
C/B SELECTOR	⑬	C/B SELECTOR
C/T SELECTOR	⑭	C/T SELECTOR



1

2

3

4

5

6

7

8

9

● All voltages are measured with a 10MΩV DC electric volt meter.  
 \* Components having special characteristics are marked Δ and must be replaced with parts having specifications equal to those originally specified.  
 \* Schematic diagram is subject to change without notice.  
 ● 電圧は、内部抵抗10MΩの電圧計で測定したものです。  
 ● Δ印のある部品は、特殊性部品を示しています。部品の交換が必要な場合は、パーツリストに記載されている部品を使用してください。  
 ● 本回路図は修正回路図です。改良のため予告なく変更することがございます。

Point ④ Pin 13 of IC801

Point ⑤ Emitter of Q801 and collector of Q802

POINT ⑥ (Discovered the power cord)

POINT ⑦ (Discovered the power cord)

IC801 LAY106 Video Amp

IC802 LAY106 Video Amp

IC803 LAY106 Video Amp

IC804 LAY106 Video Amp

IC805 LAY106 Video Amp

IC806 LAY106 Video Amp

IC807 LAY106 Video Amp

IC808 LAY106 Video Amp

IC809 LAY106 Video Amp

IC810 LAY106 Video Amp

IC811 LAY106 Video Amp

IC812 LAY106 Video Amp

IC813 LAY106 Video Amp

IC814 LAY106 Video Amp

IC815 LAY106 Video Amp

IC816 LAY106 Video Amp

IC817 LAY106 Video Amp

IC818 LAY106 Video Amp

IC819 LAY106 Video Amp

IC820 LAY106 Video Amp

IC821 LAY106 Video Amp

IC822 LAY106 Video Amp

IC823 LAY106 Video Amp

IC824 LAY106 Video Amp

IC825 LAY106 Video Amp

IC826 LAY106 Video Amp

IC827 LAY106 Video Amp

IC828 LAY106 Video Amp

IC829 LAY106 Video Amp

IC830 LAY106 Video Amp

IC831 LAY106 Video Amp

IC832 LAY106 Video Amp

IC833 LAY106 Video Amp

IC834 LAY106 Video Amp

IC835 LAY106 Video Amp

IC836 LAY106 Video Amp

IC837 LAY106 Video Amp

IC838 LAY106 Video Amp

IC839 LAY106 Video Amp

IC840 LAY106 Video Amp

IC841 LAY106 Video Amp

IC842 LAY106 Video Amp

IC843 LAY106 Video Amp

IC844 LAY106 Video Amp

IC845 LAY106 Video Amp

IC846 LAY106 Video Amp

IC847 LAY106 Video Amp

IC848 LAY106 Video Amp

IC849 LAY106 Video Amp

IC850 LAY106 Video Amp

IC851 LAY106 Video Amp

IC852 LAY106 Video Amp

IC853 LAY106 Video Amp

IC854 LAY106 Video Amp

IC855 LAY106 Video Amp

IC856 LAY106 Video Amp

IC857 LAY106 Video Amp

IC858 LAY106 Video Amp

IC859 LAY106 Video Amp

IC860 LAY106 Video Amp

IC861 LAY106 Video Amp

IC862 LAY106 Video Amp

IC863 LAY106 Video Amp

IC864 LAY106 Video Amp

IC865 LAY106 Video Amp

IC866 LAY106 Video Amp

IC867 LAY106 Video Amp

IC868 LAY106 Video Amp

IC869 LAY106 Video Amp

IC870 LAY106 Video Amp

IC871 LAY106 Video Amp

IC872 LAY106 Video Amp

IC873 LAY106 Video Amp

IC874 LAY106 Video Amp

IC875 LAY106 Video Amp

IC876 LAY106 Video Amp

IC877 LAY106 Video Amp

IC878 LAY106 Video Amp

IC879 LAY106 Video Amp

IC880 LAY106 Video Amp

IC881 LAY106 Video Amp

IC882 LAY106 Video Amp

IC883 LAY106 Video Amp

IC884 LAY106 Video Amp

IC885 LAY106 Video Amp

IC886 LAY106 Video Amp

IC887 LAY106 Video Amp

IC888 LAY106 Video Amp

IC889 LAY106 Video Amp

IC890 LAY106 Video Amp

IC891 LAY106 Video Amp

IC892 LAY106 Video Amp

IC893 LAY106 Video Amp

IC894 LAY106 Video Amp

IC895 LAY106 Video Amp

IC896 LAY106 Video Amp

IC897 LAY106 Video Amp

IC898 LAY106 Video Amp

IC899 LAY106 Video Amp

IC900 LAY106 Video Amp

IC901 LAY106 Video Amp

IC902 LAY106 Video Amp

IC903 LAY106 Video Amp

IC904 LAY106 Video Amp

IC905 LAY106 Video Amp

IC906 LAY106 Video Amp

IC907 LAY106 Video Amp

IC908 LAY106 Video Amp

IC909 LAY106 Video Amp

IC910 LAY106 Video Amp

IC911 LAY106 Video Amp

IC912 LAY106 Video Amp

IC913 LAY106 Video Amp

IC914 LAY106 Video Amp

IC915 LAY106 Video Amp

IC916 LAY106 Video Amp

IC917 LAY106 Video Amp

IC918 LAY106 Video Amp

IC919 LAY106 Video Amp

IC920 LAY106 Video Amp

IC921 LAY106 Video Amp

IC922 LAY106 Video Amp

IC923 LAY106 Video Amp

IC924 LAY106 Video Amp

IC925 LAY106 Video Amp

IC926 LAY106 Video Amp

IC927 LAY106 Video Amp

IC928 LAY106 Video Amp

IC929 LAY106 Video Amp

IC930 LAY106 Video Amp

IC931 LAY106 Video Amp

IC932 LAY106 Video Amp

IC933 LAY106 Video Amp

IC934 LAY106 Video Amp

IC935 LAY106 Video Amp

IC936 LAY106 Video Amp

IC937 LAY106 Video Amp

IC938 LAY106 Video Amp

IC939 LAY106 Video Amp

IC940 LAY106 Video Amp

IC941 LAY106 Video Amp

IC942 LAY106 Video Amp

IC943 LAY106 Video Amp

IC944 LAY106 Video Amp

IC945 LAY106 Video Amp

IC946 LAY106 Video Amp

IC947 LAY106 Video Amp

IC948 LAY106 Video Amp

IC949 LAY106 Video Amp

IC950 LAY106 Video Amp

IC951 LAY106 Video Amp

IC952 LAY106 Video Amp

IC953 LAY106 Video Amp

IC954 LAY106 Video Amp

IC955 LAY106 Video Amp

IC956 LAY106 Video Amp

IC957 LAY106 Video Amp

IC958 LAY106 Video Amp

IC959 LAY106 Video Amp

IC960 LAY106 Video Amp

IC961 LAY106 Video Amp

IC962 LAY106 Video Amp

IC963 LAY106 Video Amp

IC964 LAY106 Video Amp

IC965 LAY106 Video Amp

IC966 LAY106 Video Amp

IC967 LAY106 Video Amp

IC968 LAY106 Video Amp

IC969 LAY106 Video Amp

IC970 LAY106 Video Amp

IC971 LAY106 Video Amp

IC972 LAY106 Video Amp

IC973 LAY106 Video Amp

IC974 LAY106 Video Amp

IC975 LAY106 Video Amp

IC976 LAY106 Video Amp

IC977 LAY106 Video Amp

IC978 LAY106 Video Amp

IC979 LAY106 Video Amp

IC980 LAY106 Video Amp

IC981 LAY106 Video Amp

IC982 LAY106 Video Amp

IC983 LAY106 Video Amp

IC984 LAY106 Video Amp

IC985 LAY106 Video Amp

IC986 LAY106 Video Amp

IC987 LAY106 Video Amp

IC988 LAY106 Video Amp

IC989 LAY106 Video Amp

IC990 LAY106 Video Amp

IC991 LAY106 Video Amp

IC992 LAY106 Video Amp

IC993 LAY106 Video Amp

IC994 LAY106 Video Amp

IC995 LAY106 Video Amp

IC996 LAY106 Video Amp

IC997 LAY106 Video Amp

IC998 LAY106 Video Amp

IC999 LAY106 Video Amp

IC1000 LAY106 Video Amp

NOTICE (Model1)

(J)..... JAPAN
(U)..... U.S.A
(C)..... CANADA
(R)..... GERMANY
(I)..... CHINA
(K)..... KOREA
(A)..... AUSTRALIA
(B)..... BRITISH
(G)..... EUROPE
(L)..... SINGAPORE

Interchangeable Parts at Manufacture-Stage

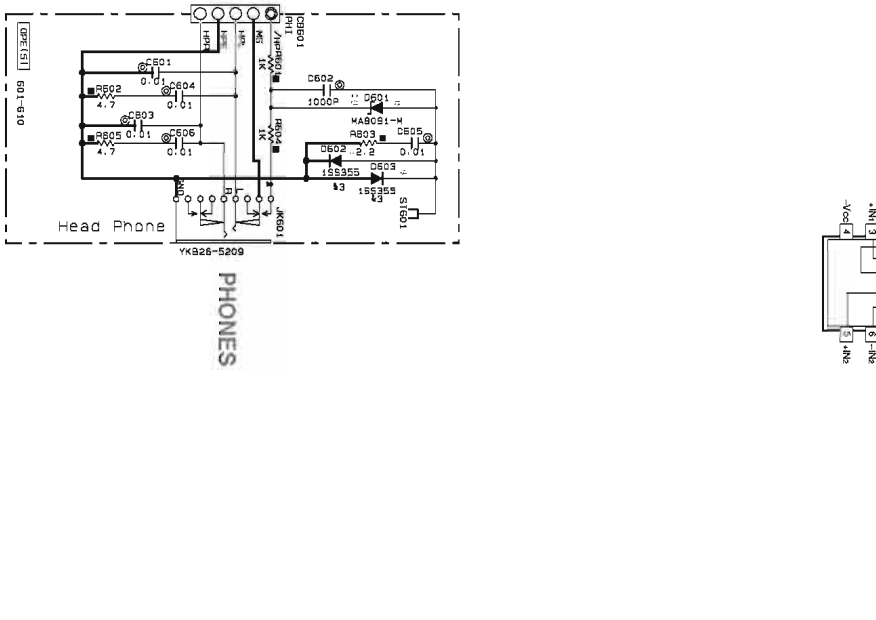
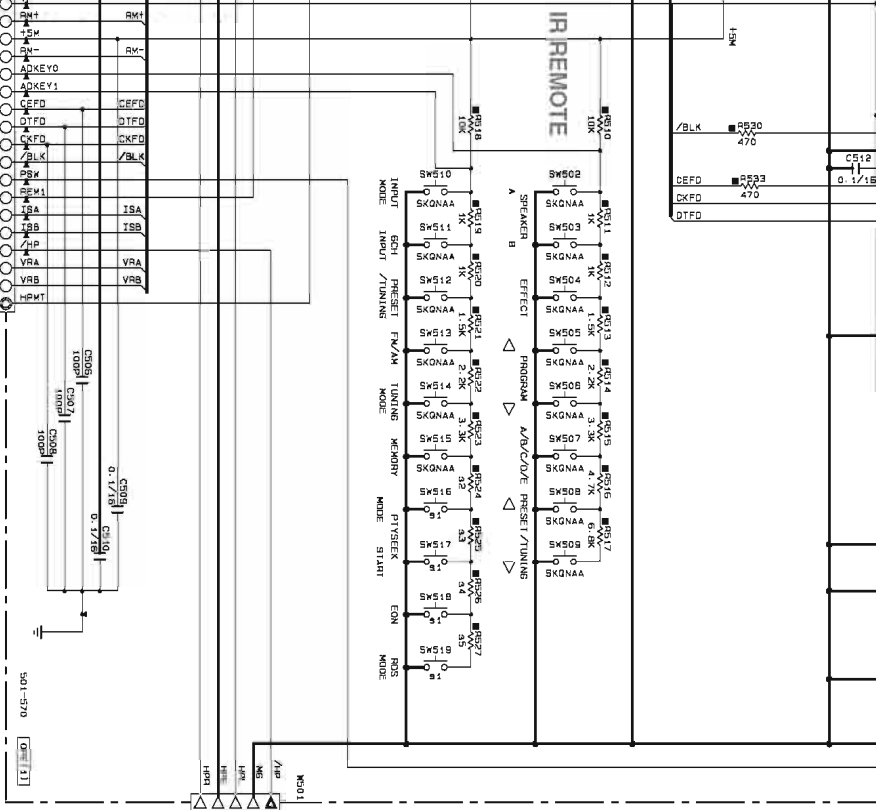
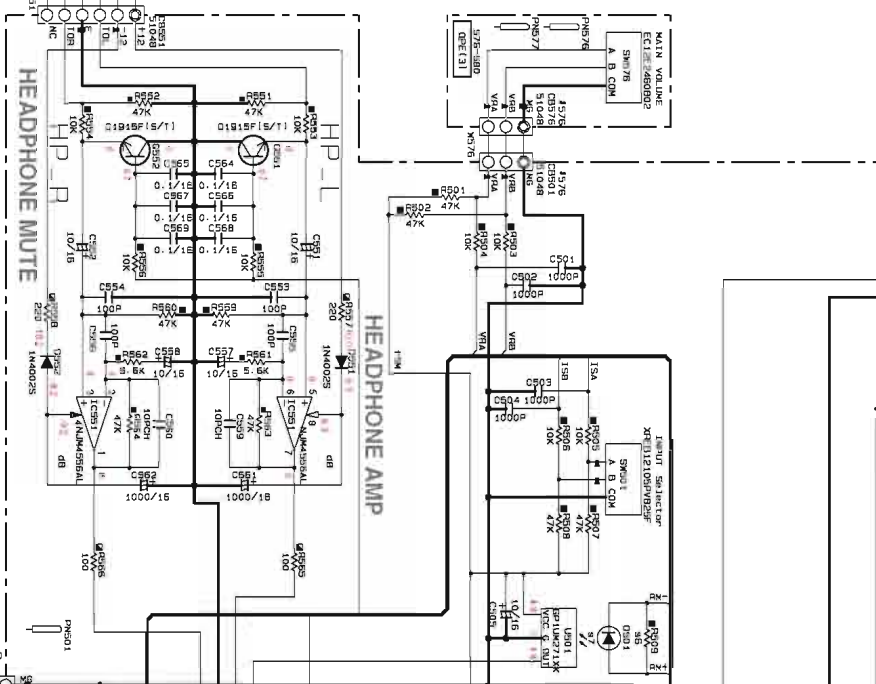
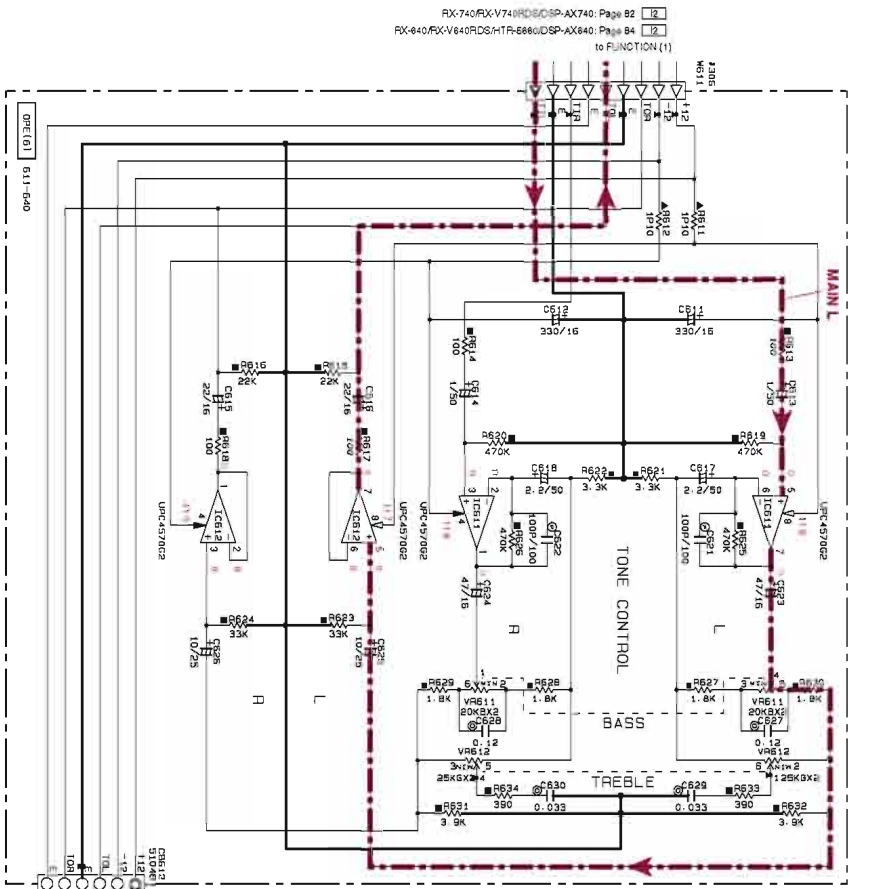
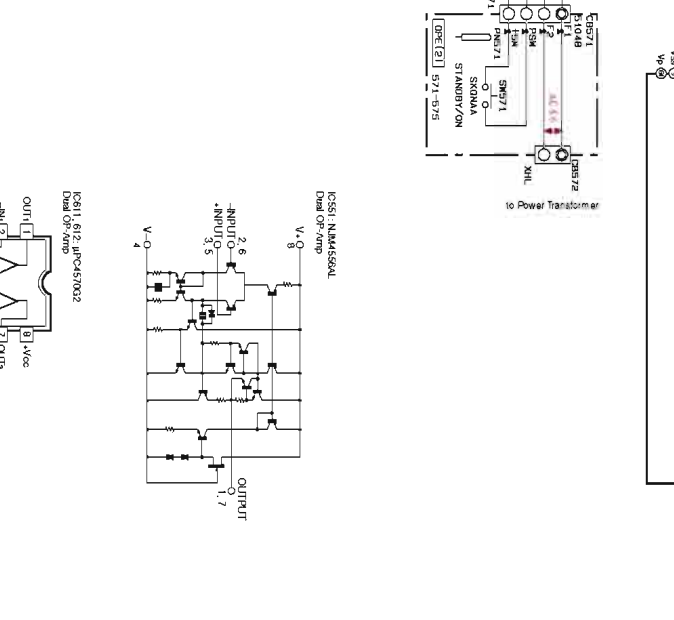
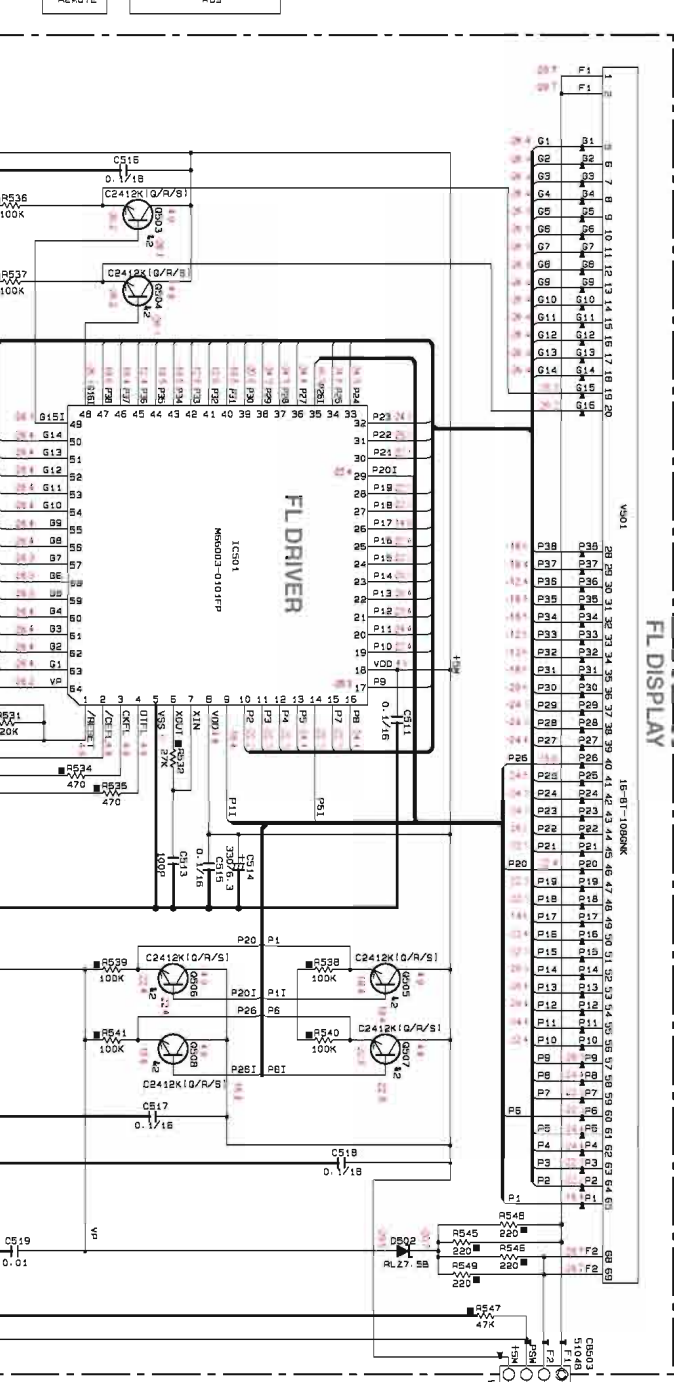
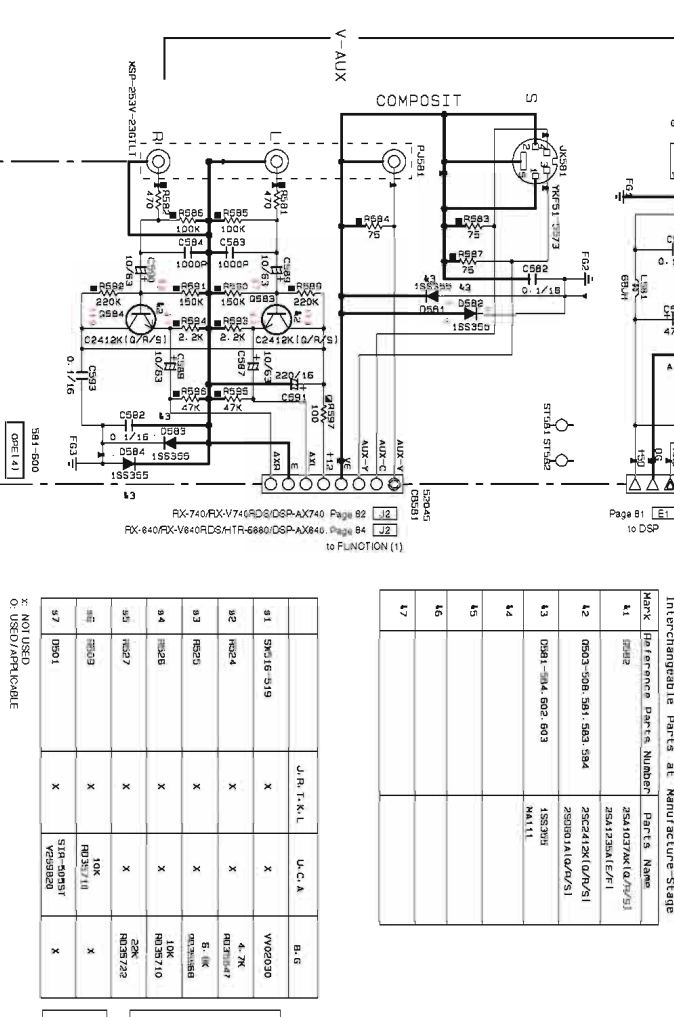
Part No.	Reference Part Number	Part Name
41	2841079K(R/P/S)	RESISTOR
42	282428K(R/P/S)	RESISTOR
43	282801A(R/P/S)	RESISTOR
44	148281	RESISTOR
45	10K	RESISTOR
46	10K	RESISTOR
47	518-56565T	RESISTOR
	518-56566C	RESISTOR
	518-56566D	RESISTOR
	518-56566E	RESISTOR
	518-56566F	RESISTOR
	518-56566G	RESISTOR
	518-56566H	RESISTOR
	518-56566I	RESISTOR
	518-56566J	RESISTOR
	518-56566K	RESISTOR
	518-56566L	RESISTOR
	518-56566M	RESISTOR
	518-56566N	RESISTOR
	518-56566O	RESISTOR
	518-56566P	RESISTOR
	518-56566Q	RESISTOR
	518-56566R	RESISTOR
	518-56566S	RESISTOR
	518-56566T	RESISTOR
	518-56566U	RESISTOR
	518-56566V	RESISTOR
	518-56566W	RESISTOR
	518-56566X	RESISTOR
	518-56566Y	RESISTOR
	518-56566Z	RESISTOR

CAPACITOR

NO MARK	REMARKS	PARTS NAME
⊗		ELECTROLYTIC CAPACITOR
⊙		TANTALUM CAPACITOR
⊖		CERAMIC CAPACITOR
⊕		CERAMIC TUBULAR CAPACITOR
⊖		POLYESTER FILM CAPACITOR
⊕		MICA CAPACITOR
⊖		POLYPROPYLENE FILM CAPACITOR
⊕		SEMICONDUCTIVE CERAMIC CAPACITOR
⊖		POLYBUTYLENE SULFIDE FILM CAPACITOR

RESISTOR

REMARKS	PARTS NAME
⊖	CARBON FILM RESISTOR (1/4W)
⊕	CARBON FILM RESISTOR (1/10W)
⊖	METAL OXIDE FILM RESISTOR
⊕	METAL FILM RESISTOR
⊖	METAL PLATE RESISTOR
⊕	FINE PITCH CARBON FILM RESISTOR
⊖	CEMENT MOLDED RESISTOR
⊕	SEMI VARIABLE RESISTOR
⊖	CHIP RESISTOR



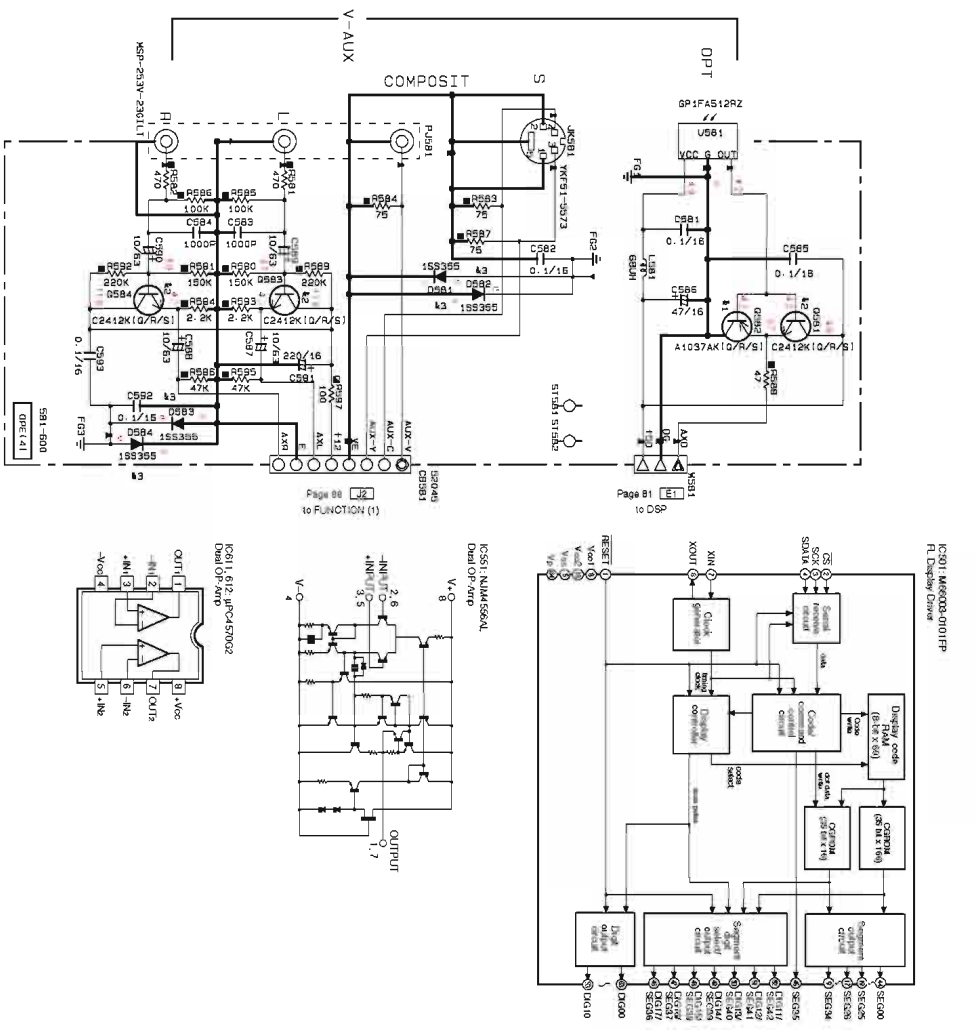
● 電圧は、内部抵抗10MΩの電圧計で測定したものです。  
 ▲印のある部品は、安全性確保部品を示しています。部品の交換が必要な場合、  
 △マークには記載されている部品を使用してください。  
 ●本回路図は標準回路図です。改良のため予告なく変更することがあります。

\* All voltages are measured with a 10MΩ DC electric voltmeter.  
 \* Components having special characteristics are marked ▲ and must be replaced  
 with parts having specifications equal to those originally installed.  
 \* Schematic diagram is subject to change without notice.



SCHEMATIC DIAGRAM (OPERATION)

DSP-AX640SE



IC801: M64030-0101FP  
FL Display Driver

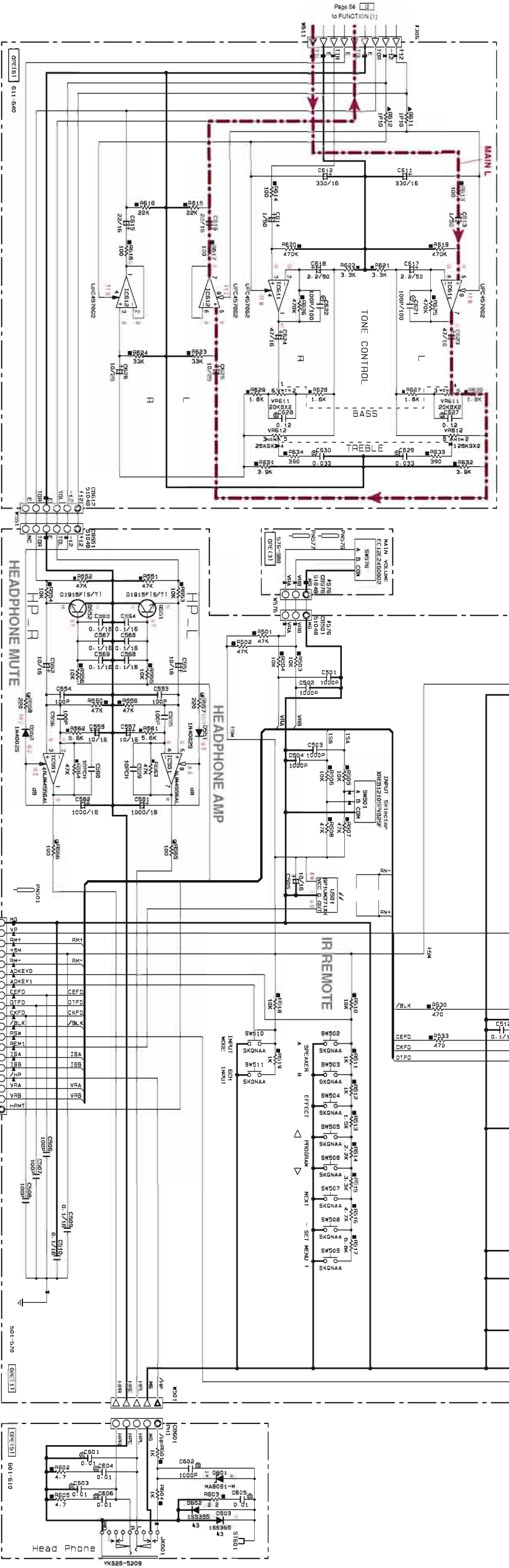
REMARKS	PARTS NAME
⊗	ELECTROLYTIC CAPACITOR
⊙	FILM CAPACITOR
⊚	CERAMIC TANTALUM CAPACITOR
⊛	CERAMIC TANTALUM CAPACITOR
⊜	POLYESTER FILM CAPACITOR
⊝	POLYESTER FILM CAPACITOR
⊞	MICA CAPACITOR
⊟	POLYPROPYLENE FILM CAPACITOR
⊠	SEMICONDUCTIVE CERAMIC CAPACITOR
⊡	POLYPROPYLENE SURFACE FILM CAPACITOR

REMARKS	PARTS NAME
□	CARBON FILM RESISTOR (P-5)
▣	CARBON FILM RESISTOR (P-10)
▤	METAL OXIDE FILM RESISTOR
▥	METAL FILM RESISTOR
▦	METAL PLATE RESISTOR
▧	FINE PITCH CARBON FILM RESISTOR
▨	CEMENT MOLDED RESISTOR
▩	SEMI VARIABLE RESISTOR
⊞	CHIP RESISTOR

Interchangeable Parts at Manufacture Stage

MARK	REFERENCE PARTS NUMBER	PARTS NAME
41	0202	25A1037AK10/R/S1
42	0203-300A-391, 50A-394	25C2412K10/R/S1
43	0201-1044-602, 603	M4111
44		155335
45		25C2412K10/R/S1
46		25C2412K10/R/S1
47		M4111

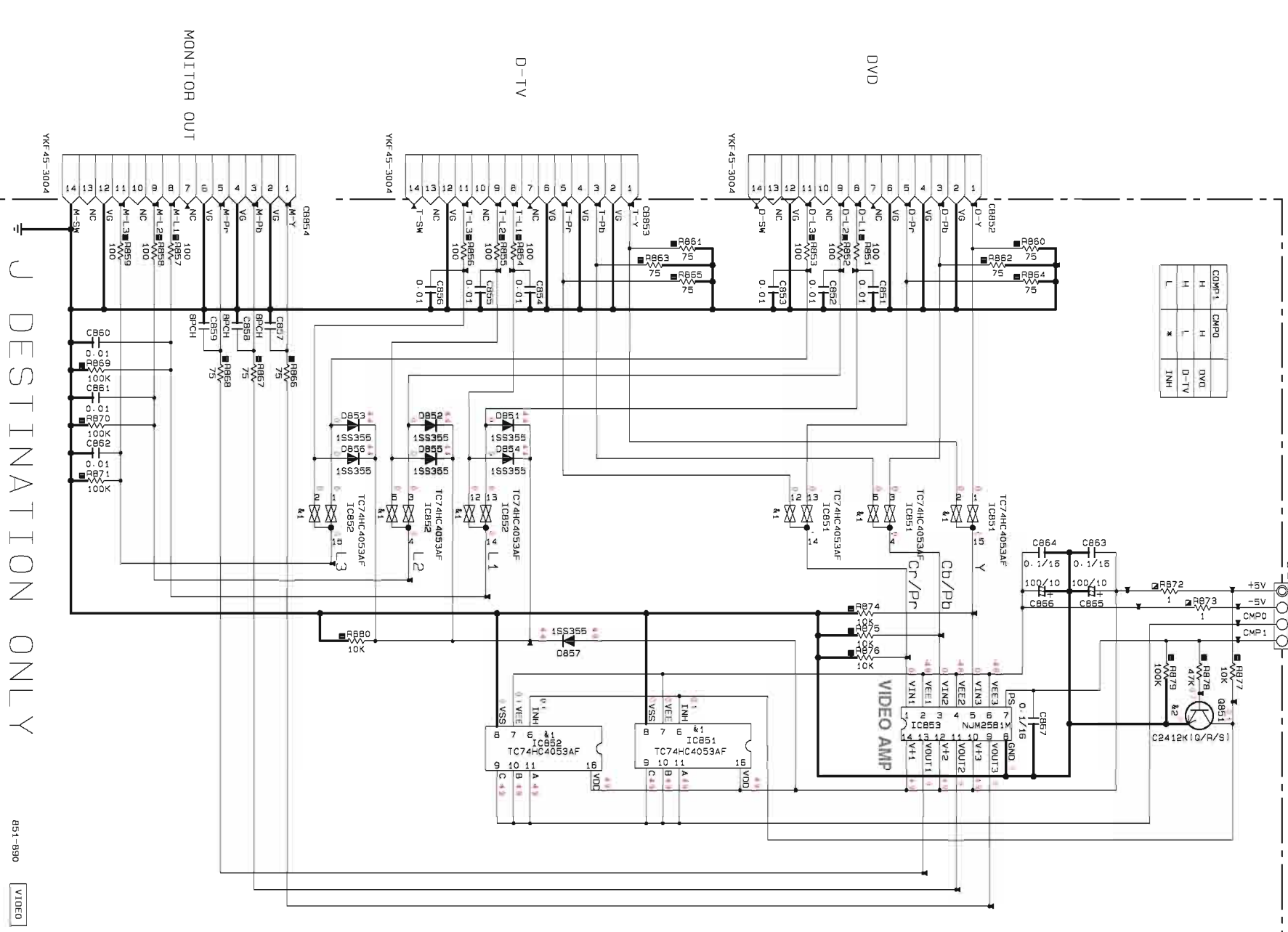
NOTICE (note 1)  
 (J) JAPAN  
 (U) U.S.A.  
 (C) CANADA  
 (H) GENERAL  
 (T) CHINA  
 (K) KOREA  
 (A) AUSTRALIA  
 (B) BRITISH  
 (G) EUROPE  
 (L) SINGAPORE



\* All voltages are measured with a 10MΩV DC electric volt meter.  
 \* Components having special characteristics are marked Δ and must be replaced with parts having specifications equal to those originally installed.  
 \* Schematic diagram is subject to change without notice.

● 電圧は、内部抵抗10MΩの電圧計で測定したものです。  
 ● Δ印のある部品は、安全性確保部品を示しています。部品の交換が必要な場合、Δマークに同等仕様の部品を使用してください。  
 ● 本回路図は標準回路図です。改良のため予告なく変更することがあります。

RF-1487X-V1683S025-X076-Part.01 [L1]  
 RX-4487X-V1640S341T1-S0882SP-X068-Part.01 [L1]  
 © FUJITSU LTD.



COMP1	CHPD	DVD
H	H	DVD
L	L	D-TV
L	*	INH

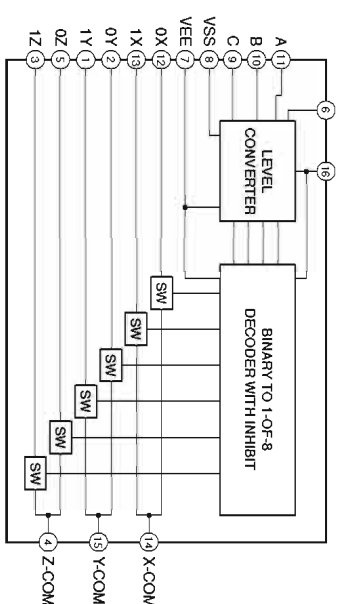
**NOTICE (model)**  
 (J)..... JAPAN  
 (U)..... U.S.-A  
 (C)..... CANADA  
 (R)..... GENERAL  
 (T)..... CHINA  
 (K)..... KOREA  
 (A)..... AUSTRALIA  
 (B)..... BRITISH  
 (G)..... EUROPE  
 (L)..... SINGAPORE

REMARKS	PARTS NAME
NO MARK	CARBON FILM RESISTOR (P=5)
☑	CARBON FILM RESISTOR (P=10)
△	METAL OXIDE FILM RESISTOR
▲	METAL FILM RESISTOR
▢	METAL PLATE RESISTOR
⊠	FIRE PROOF CARBON FILM RESISTOR
□	CEMENT MOLDED RESISTOR
⊞	SEMI VARIABLE RESISTOR
■	CHIP RESISTOR

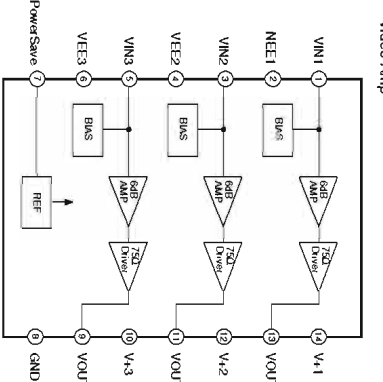
REMARKS	PARTS NAME
NO MARK	ELECTROLYTIC CAPACITOR
⊗	TANTALUM CAPACITOR
NO MARK	CERAMIC CAPACITOR
⊙	CERAMIC TUBULAR CAPACITOR
○	POLYESTER FILM CAPACITOR
○	POLYSTYRENE FILM CAPACITOR
①	MICA CAPACITOR
②	POLYPROPYLENE FILM CAPACITOR
⊖	SEMICONDUCTIVE CERAMIC CAPACITOR

Interchangeable Parts at Manufacture-Stage

Mark	Reference Parts Number	Parts Name
k1	IC851, 852	TC74HC4053AF HM74HC4053SLX
k2	0851	C2412K(G/R/S) 0801A1(G/R/S1)



INPUT STATES	C	B	A	0 <sup>th</sup> CHANNEL (S)
INHIBIT	0	0	0	0X, 0Y, 0Z
	0	0	1	1X, 0Y, 0Z
	0	1	0	0X, 1Y, 0Z
	0	1	1	1X, 1Y, 0Z
	1	0	0	0X, 0Y, 1Z
	1	0	1	1X, 0Y, 1Z
	1	1	0	0X, 1Y, 1Z
	1	1	1	1X, 1Y, 1Z
	X	X	X	NONE



DESTINATION ONLY

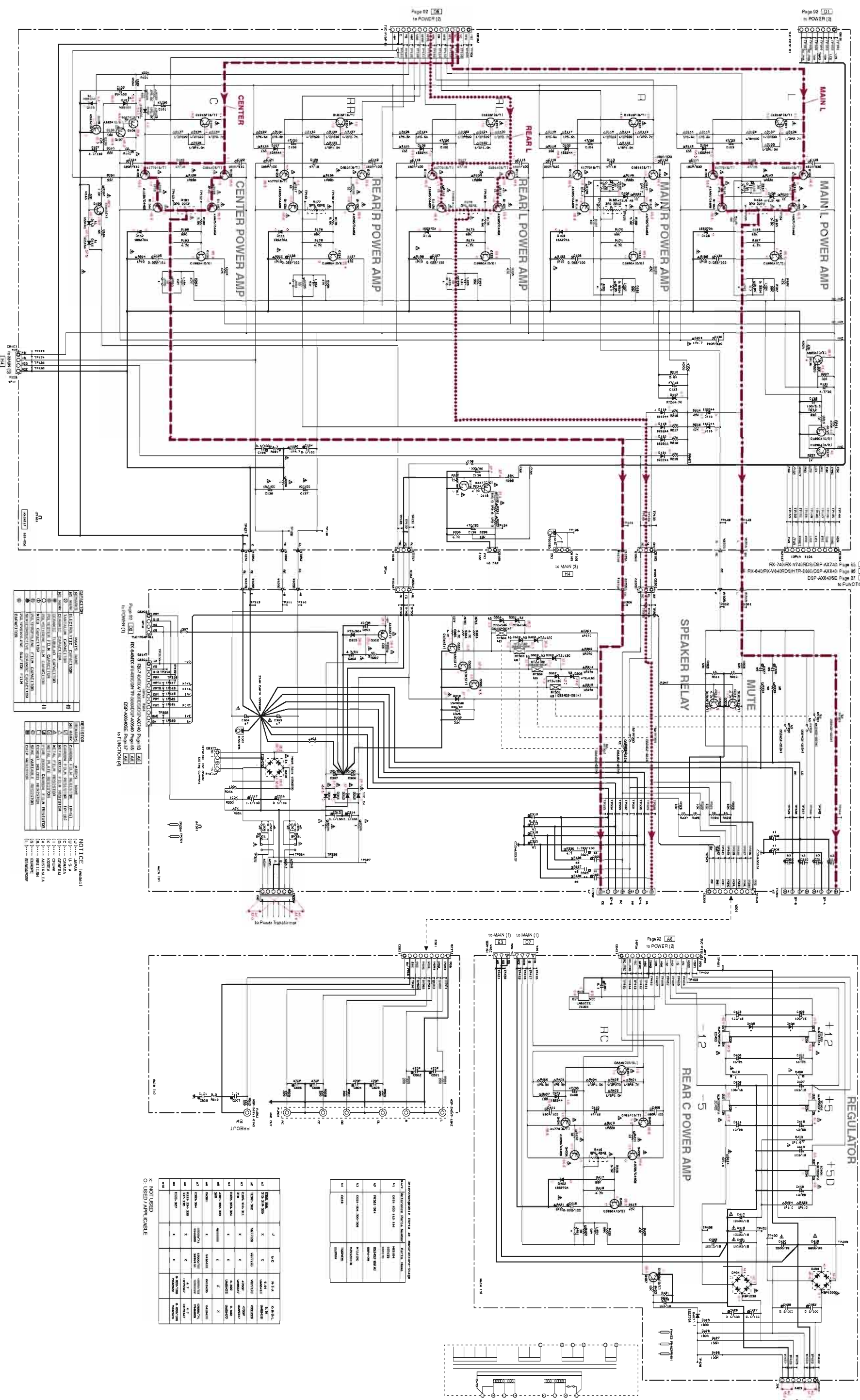
051-1890

VIDEO

\* All voltages are measured with a 10KΩV DC electric volt meter.  
 \* Components having special characteristics are marked Δ and must be replaced with parts having specifications equal to those originally installed.  
 \* Schematic diagram is subject to change without notice.

●電圧は、内部抵抗10MΩの電圧計で測定したものです。  
 ●△印のある部品は、安全性能保証品を示しています。部品の交換が必要な場合、パーツリストに記載されている部品を使用してください。  
 ●本回路図は標準回路図です。改良のため予告なく変更することがあります。





●電圧は、内部抵抗10MΩの電圧計で測定したものです。  
 ●△印のある部品は、安全仕様部品を示しています。部品の交換が必要な場合、パーツリストに記載されている部品を使用してください。  
 ●本回路図は標準回路図です。改良のため予告なく変更することがあります。

★ All voltages are measured with a 10MΩV DC electric volt meter.  
 ★ Components having special characteristics are marked Δ, and must be replaced with parts having specifications equal to those originally installed.  
 ★ Schematic diagram is subject to change without notice.

RESISTOR

記号	単位	精度	公差	温度係数
R	Ω	±1%	±0.5%	±100ppm/°C
R1	Ω	±1%	±0.5%	±100ppm/°C
R2	Ω	±1%	±0.5%	±100ppm/°C
R3	Ω	±1%	±0.5%	±100ppm/°C
R4	Ω	±1%	±0.5%	±100ppm/°C
R5	Ω	±1%	±0.5%	±100ppm/°C
R6	Ω	±1%	±0.5%	±100ppm/°C
R7	Ω	±1%	±0.5%	±100ppm/°C
R8	Ω	±1%	±0.5%	±100ppm/°C
R9	Ω	±1%	±0.5%	±100ppm/°C
R10	Ω	±1%	±0.5%	±100ppm/°C
R11	Ω	±1%	±0.5%	±100ppm/°C
R12	Ω	±1%	±0.5%	±100ppm/°C
R13	Ω	±1%	±0.5%	±100ppm/°C
R14	Ω	±1%	±0.5%	±100ppm/°C
R15	Ω	±1%	±0.5%	±100ppm/°C
R16	Ω	±1%	±0.5%	±100ppm/°C
R17	Ω	±1%	±0.5%	±100ppm/°C
R18	Ω	±1%	±0.5%	±100ppm/°C
R19	Ω	±1%	±0.5%	±100ppm/°C
R20	Ω	±1%	±0.5%	±100ppm/°C
R21	Ω	±1%	±0.5%	±100ppm/°C
R22	Ω	±1%	±0.5%	±100ppm/°C
R23	Ω	±1%	±0.5%	±100ppm/°C
R24	Ω	±1%	±0.5%	±100ppm/°C
R25	Ω	±1%	±0.5%	±100ppm/°C
R26	Ω	±1%	±0.5%	±100ppm/°C
R27	Ω	±1%	±0.5%	±100ppm/°C
R28	Ω	±1%	±0.5%	±100ppm/°C
R29	Ω	±1%	±0.5%	±100ppm/°C
R30	Ω	±1%	±0.5%	±100ppm/°C
R31	Ω	±1%	±0.5%	±100ppm/°C
R32	Ω	±1%	±0.5%	±100ppm/°C
R33	Ω	±1%	±0.5%	±100ppm/°C
R34	Ω	±1%	±0.5%	±100ppm/°C
R35	Ω	±1%	±0.5%	±100ppm/°C
R36	Ω	±1%	±0.5%	±100ppm/°C
R37	Ω	±1%	±0.5%	±100ppm/°C
R38	Ω	±1%	±0.5%	±100ppm/°C
R39	Ω	±1%	±0.5%	±100ppm/°C
R40	Ω	±1%	±0.5%	±100ppm/°C
R41	Ω	±1%	±0.5%	±100ppm/°C
R42	Ω	±1%	±0.5%	±100ppm/°C
R43	Ω	±1%	±0.5%	±100ppm/°C
R44	Ω	±1%	±0.5%	±100ppm/°C
R45	Ω	±1%	±0.5%	±100ppm/°C
R46	Ω	±1%	±0.5%	±100ppm/°C
R47	Ω	±1%	±0.5%	±100ppm/°C
R48	Ω	±1%	±0.5%	±100ppm/°C
R49	Ω	±1%	±0.5%	±100ppm/°C
R50	Ω	±1%	±0.5%	±100ppm/°C
R51	Ω	±1%	±0.5%	±100ppm/°C
R52	Ω	±1%	±0.5%	±100ppm/°C
R53	Ω	±1%	±0.5%	±100ppm/°C
R54	Ω	±1%	±0.5%	±100ppm/°C
R55	Ω	±1%	±0.5%	±100ppm/°C
R56	Ω	±1%	±0.5%	±100ppm/°C
R57	Ω	±1%	±0.5%	±100ppm/°C
R58	Ω	±1%	±0.5%	±100ppm/°C
R59	Ω	±1%	±0.5%	±100ppm/°C
R60	Ω	±1%	±0.5%	±100ppm/°C
R61	Ω	±1%	±0.5%	±100ppm/°C
R62	Ω	±1%	±0.5%	±100ppm/°C
R63	Ω	±1%	±0.5%	±100ppm/°C
R64	Ω	±1%	±0.5%	±100ppm/°C
R65	Ω	±1%	±0.5%	±100ppm/°C
R66	Ω	±1%	±0.5%	±100ppm/°C
R67	Ω	±1%	±0.5%	±100ppm/°C
R68	Ω	±1%	±0.5%	±100ppm/°C
R69	Ω	±1%	±0.5%	±100ppm/°C
R70	Ω	±1%	±0.5%	±100ppm/°C
R71	Ω	±1%	±0.5%	±100ppm/°C
R72	Ω	±1%	±0.5%	±100ppm/°C
R73	Ω	±1%	±0.5%	±100ppm/°C
R74	Ω	±1%	±0.5%	±100ppm/°C
R75	Ω	±1%	±0.5%	±100ppm/°C
R76	Ω	±1%	±0.5%	±100ppm/°C
R77	Ω	±1%	±0.5%	±100ppm/°C
R78	Ω	±1%	±0.5%	±100ppm/°C
R79	Ω	±1%	±0.5%	±100ppm/°C
R80	Ω	±1%	±0.5%	±100ppm/°C
R81	Ω	±1%	±0.5%	±100ppm/°C
R82	Ω	±1%	±0.5%	±100ppm/°C
R83	Ω	±1%	±0.5%	±100ppm/°C
R84	Ω	±1%	±0.5%	±100ppm/°C
R85	Ω	±1%	±0.5%	±100ppm/°C
R86	Ω	±1%	±0.5%	±100ppm/°C
R87	Ω	±1%	±0.5%	±100ppm/°C
R88	Ω	±1%	±0.5%	±100ppm/°C
R89	Ω	±1%	±0.5%	±100ppm/°C
R90	Ω	±1%	±0.5%	±100ppm/°C
R91	Ω	±1%	±0.5%	±100ppm/°C
R92	Ω	±1%	±0.5%	±100ppm/°C
R93	Ω	±1%	±0.5%	±100ppm/°C
R94	Ω	±1%	±0.5%	±100ppm/°C
R95	Ω	±1%	±0.5%	±100ppm/°C
R96	Ω	±1%	±0.5%	±100ppm/°C
R97	Ω	±1%	±0.5%	±100ppm/°C
R98	Ω	±1%	±0.5%	±100ppm/°C
R99	Ω	±1%	±0.5%	±100ppm/°C
R100	Ω	±1%	±0.5%	±100ppm/°C

NOTICE

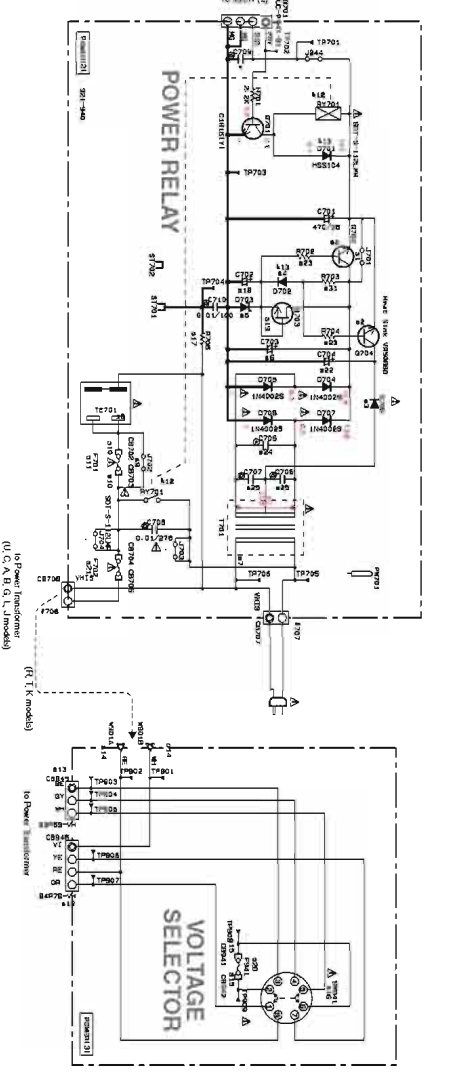
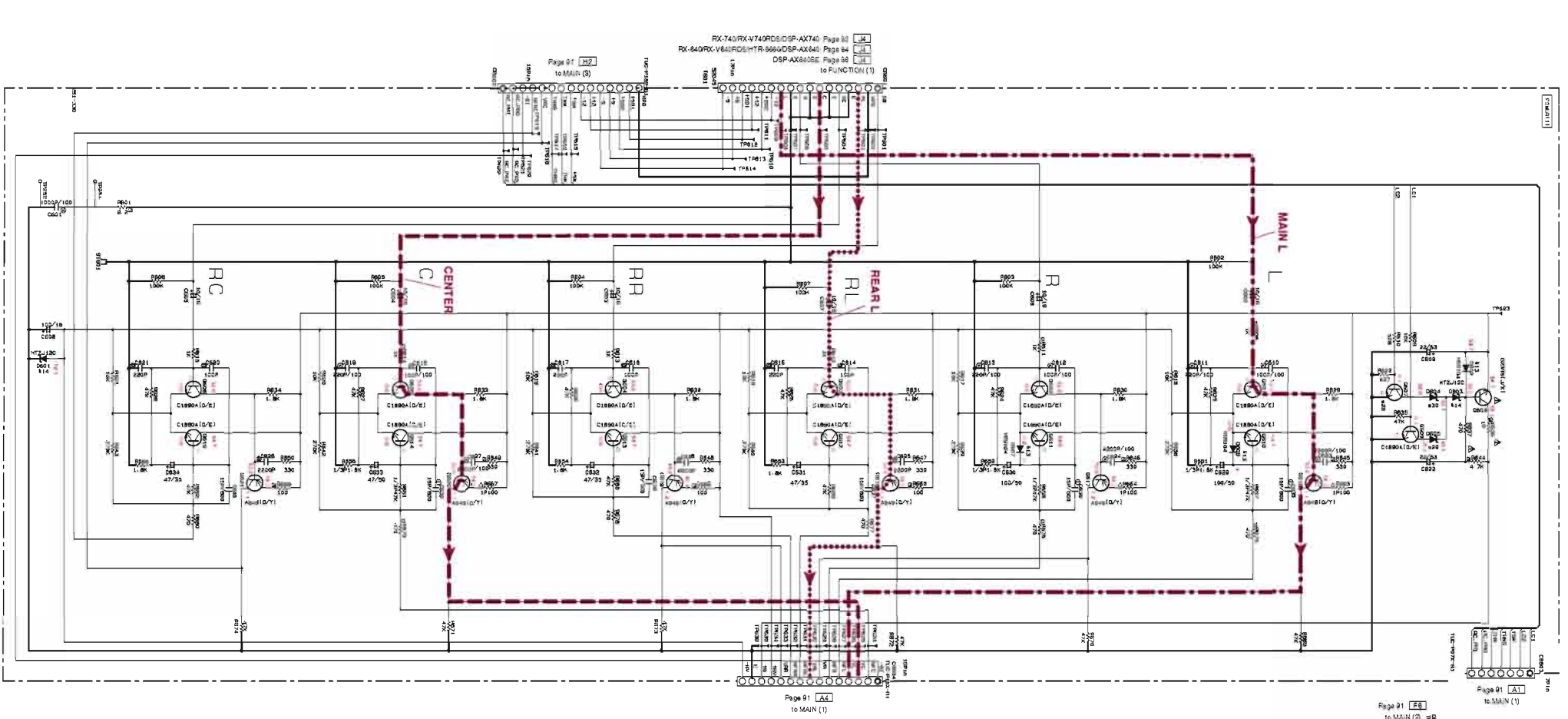
IC01, LAMPICZ  
Temperature Sensor

IC02, NA10001A  
Voltage Regulator

IC03, NA10001A  
Voltage Regulator

IC04, NA10001A  
Voltage Regulator





RESISTOR

RESISTOR	DATE	VALUE
①	100Ω	100Ω
②	100Ω	100Ω
③	100Ω	100Ω
④	100Ω	100Ω
⑤	100Ω	100Ω
⑥	100Ω	100Ω
⑦	100Ω	100Ω
⑧	100Ω	100Ω
⑨	100Ω	100Ω
⑩	100Ω	100Ω
⑪	100Ω	100Ω

Capacitor Legend:

- ① NO. MARK
- ② POLYESTER FILM CAPACITOR
- ③ POLYPROPYLENE FILM CAPACITOR
- ④ POLYBUTYLENE TEREPHTHALATE FILM CAPACITOR
- ⑤ POLYETHYLENE TEREPHTHALATE FILM CAPACITOR
- ⑥ POLYIMIDE FILM CAPACITOR
- ⑦ POLYVINYLIDENE FLUORIDE FILM CAPACITOR
- ⑧ POLYETHYLENE TEREPHTHALATE FILM CAPACITOR
- ⑨ POLYPROPYLENE FILM CAPACITOR
- ⑩ POLYBUTYLENE TEREPHTHALATE FILM CAPACITOR
- ⑪ POLYETHYLENE TEREPHTHALATE FILM CAPACITOR

INTERCONNECTING PARTS

NO.	DESCRIPTION	QTY.	UNIT
111	RESISTOR	1	PCB
112	RESISTOR	1	PCB
113	RESISTOR	1	PCB
114	RESISTOR	1	PCB
115	RESISTOR	1	PCB
116	RESISTOR	1	PCB
117	RESISTOR	1	PCB
118	RESISTOR	1	PCB
119	RESISTOR	1	PCB
120	RESISTOR	1	PCB
121	RESISTOR	1	PCB
122	RESISTOR	1	PCB
123	RESISTOR	1	PCB
124	RESISTOR	1	PCB
125	RESISTOR	1	PCB
126	RESISTOR	1	PCB
127	RESISTOR	1	PCB
128	RESISTOR	1	PCB
129	RESISTOR	1	PCB
130	RESISTOR	1	PCB
131	RESISTOR	1	PCB
132	RESISTOR	1	PCB
133	RESISTOR	1	PCB
134	RESISTOR	1	PCB
135	RESISTOR	1	PCB
136	RESISTOR	1	PCB
137	RESISTOR	1	PCB
138	RESISTOR	1	PCB
139	RESISTOR	1	PCB
140	RESISTOR	1	PCB
141	RESISTOR	1	PCB
142	RESISTOR	1	PCB
143	RESISTOR	1	PCB
144	RESISTOR	1	PCB
145	RESISTOR	1	PCB
146	RESISTOR	1	PCB
147	RESISTOR	1	PCB
148	RESISTOR	1	PCB
149	RESISTOR	1	PCB
150	RESISTOR	1	PCB
151	RESISTOR	1	PCB
152	RESISTOR	1	PCB
153	RESISTOR	1	PCB
154	RESISTOR	1	PCB
155	RESISTOR	1	PCB
156	RESISTOR	1	PCB
157	RESISTOR	1	PCB
158	RESISTOR	1	PCB
159	RESISTOR	1	PCB
160	RESISTOR	1	PCB
161	RESISTOR	1	PCB
162	RESISTOR	1	PCB
163	RESISTOR	1	PCB
164	RESISTOR	1	PCB
165	RESISTOR	1	PCB
166	RESISTOR	1	PCB
167	RESISTOR	1	PCB
168	RESISTOR	1	PCB
169	RESISTOR	1	PCB
170	RESISTOR	1	PCB
171	RESISTOR	1	PCB
172	RESISTOR	1	PCB
173	RESISTOR	1	PCB
174	RESISTOR	1	PCB
175	RESISTOR	1	PCB
176	RESISTOR	1	PCB
177	RESISTOR	1	PCB
178	RESISTOR	1	PCB
179	RESISTOR	1	PCB
180	RESISTOR	1	PCB
181	RESISTOR	1	PCB
182	RESISTOR	1	PCB
183	RESISTOR	1	PCB
184	RESISTOR	1	PCB
185	RESISTOR	1	PCB
186	RESISTOR	1	PCB
187	RESISTOR	1	PCB
188	RESISTOR	1	PCB
189	RESISTOR	1	PCB
190	RESISTOR	1	PCB
191	RESISTOR	1	PCB
192	RESISTOR	1	PCB
193	RESISTOR	1	PCB
194	RESISTOR	1	PCB
195	RESISTOR	1	PCB
196	RESISTOR	1	PCB
197	RESISTOR	1	PCB
198	RESISTOR	1	PCB
199	RESISTOR	1	PCB
200	RESISTOR	1	PCB

NOTICE (part 1)

(J)..... JAPAN  
 (K)..... KOREA  
 (C)..... CANADA  
 (R)..... RAINBOW  
 (I)..... ITALY  
 (F)..... FRANCE  
 (A)..... AUSTRALIA  
 (B)..... BRITISH  
 (E)..... EUROPE  
 (S)..... SWITZERLAND  
 (L)..... SWITZERLAND

NO.	DESCRIPTION	QTY.	UNIT	REMARKS
1	RESISTOR	1	PCB	
2	RESISTOR	1	PCB	
3	RESISTOR	1	PCB	
4	RESISTOR	1	PCB	
5	RESISTOR	1	PCB	
6	RESISTOR	1	PCB	
7	RESISTOR	1	PCB	
8	RESISTOR	1	PCB	
9	RESISTOR	1	PCB	
10	RESISTOR	1	PCB	
11	RESISTOR	1	PCB	
12	RESISTOR	1	PCB	
13	RESISTOR	1	PCB	
14	RESISTOR	1	PCB	
15	RESISTOR	1	PCB	
16	RESISTOR	1	PCB	
17	RESISTOR	1	PCB	
18	RESISTOR	1	PCB	
19	RESISTOR	1	PCB	
20	RESISTOR	1	PCB	
21	RESISTOR	1	PCB	
22	RESISTOR	1	PCB	
23	RESISTOR	1	PCB	
24	RESISTOR	1	PCB	
25	RESISTOR	1	PCB	
26	RESISTOR	1	PCB	
27	RESISTOR	1	PCB	
28	RESISTOR	1	PCB	
29	RESISTOR	1	PCB	
30	RESISTOR	1	PCB	
31	RESISTOR	1	PCB	
32	RESISTOR	1	PCB	
33	RESISTOR	1	PCB	
34	RESISTOR	1	PCB	
35	RESISTOR	1	PCB	
36	RESISTOR	1	PCB	
37	RESISTOR	1	PCB	
38	RESISTOR	1	PCB	
39	RESISTOR	1	PCB	
40	RESISTOR	1	PCB	
41	RESISTOR	1	PCB	
42	RESISTOR	1	PCB	
43	RESISTOR	1	PCB	
44	RESISTOR	1	PCB	
45	RESISTOR	1	PCB	
46	RESISTOR	1	PCB	
47	RESISTOR	1	PCB	
48	RESISTOR	1	PCB	
49	RESISTOR	1	PCB	
50	RESISTOR	1	PCB	
51	RESISTOR	1	PCB	
52	RESISTOR	1	PCB	
53	RESISTOR	1	PCB	
54	RESISTOR	1	PCB	
55	RESISTOR	1	PCB	
56	RESISTOR	1	PCB	
57	RESISTOR	1	PCB	
58	RESISTOR	1	PCB	
59	RESISTOR	1	PCB	
60	RESISTOR	1	PCB	
61	RESISTOR	1	PCB	
62	RESISTOR	1	PCB	
63	RESISTOR	1	PCB	
64	RESISTOR	1	PCB	
65	RESISTOR	1	PCB	
66	RESISTOR	1	PCB	
67	RESISTOR	1	PCB	
68	RESISTOR	1	PCB	
69	RESISTOR	1	PCB	
70	RESISTOR	1	PCB	
71	RESISTOR	1	PCB	
72	RESISTOR	1	PCB	
73	RESISTOR	1	PCB	
74	RESISTOR	1	PCB	
75	RESISTOR	1	PCB	
76	RESISTOR	1	PCB	
77	RESISTOR	1	PCB	
78	RESISTOR	1	PCB	
79	RESISTOR	1	PCB	
80	RESISTOR	1	PCB	
81	RESISTOR	1	PCB	
82	RESISTOR	1	PCB	
83	RESISTOR	1	PCB	
84	RESISTOR	1	PCB	
85	RESISTOR	1	PCB	
86	RESISTOR	1	PCB	
87	RESISTOR	1	PCB	
88	RESISTOR	1	PCB	
89	RESISTOR	1	PCB	
90	RESISTOR	1	PCB	
91	RESISTOR	1	PCB	
92	RESISTOR	1	PCB	
93	RESISTOR	1	PCB	
94	RESISTOR	1	PCB	
95	RESISTOR	1	PCB	
96	RESISTOR	1	PCB	
97	RESISTOR	1	PCB	
98	RESISTOR	1	PCB	
99	RESISTOR	1	PCB	
100	RESISTOR	1	PCB	

⚠ NOT USED  
 ○ USED/AVAILABLE

\* All voltages are measured with a 10MΩV DC electric volt meter.  
 \* Components having special characteristics are marked Δ and must be replaced with parts having specifications equal to those originally installed.  
 \* Schematic diagram is subject to change without notice.

● 電圧は、内部抵抗10MΩの電圧計で測定したものです。  
 ● Δ印のある部品は、特殊性を持つ部品を示しています。部品の交換が必要な場合、Δ印のマークに記載されている部品を使用してください。  
 ● 本回路図は標準回路図です。改良のため予告なく変更することがあります。

# PARTS LIST

## ■ ELECTRICAL PARTS

### ■ WARNING

- Components having special characteristics are marked  $\triangle$  and must be replaced with parts having specifications equal to those originally installed.
- $\triangle$ 印のある部分は、安全確保部品を示しています。部品の交換が必要な場合、パーツリストに記載されている部品を使用してください。
- 部品価格ランクは、予告なく変更することがあります。

### ABBREVIATIONS IN THIS LIST ARE AS FOLLOWS:

C.A.EL.CHP	: CHIP ALUMI.ELECTROLYTIC CAP	L.EMIT	: LIGHT EMITTING MODULE
C.CE	: CERAMIC CAP	LED.DSPLY	: LED DISPLAY
C.CE.ARRAY	: CERAMIC CAP ARRAY	LED.INFRD	: LED,INFRARED
C.CE.CHP	: CHIP CERAMIC CAP	MODUL.RF	: MODULATOR,RF
C.CE.ML	: MULTILAYER CERAMIC CAP	PHOT.CPL	: PHOTO COUPLER
C.CE.M.CHP	: CHIP MULTILAYER CERAMIC CAP	PHOT.INTR	: PHOTO INTERRUPTER
C.CE.SAFTY	: RECOGNIZED CERAMIC CAP	PHOT.RFLCT	: PHOTO REFLECTOR
C.CE.TUBLR	: CERAMIC TUBULAR CAP	PIN.TEST	: PIN,TEST POINT
C.CE.SMI	: SEMI CONDUCTIVE CERAMIC CAP	PLST.RIVET	: PLASTIC RIVET
C.EL	: ELECTROLYTIC CAP	R.ARRAY	: RESISTOR ARRAY
C.MICA	: MICA CAP	R.CAR.	: CARBON RESISTOR
C.ML.FLM	: MULTILAYER FILM CAP	R.CAR.CHP	: CHIP RESISTOR
C.MP	: METALLIZED PAPER CAP	R.CAR.FP	: FLAME PROOF CARBON RESISTOR
C.MYLAR	: MYLAR FILM CAP	R.FUS	: FUSABLE RESISTOR
C.MYLAR.ML	: MULTILAYER MYLAR FILM CAP	R.MTL.CHP	: CHIP METAL FILM RESISTOR
C.PAPER	: PAPER CAPACITOR	R.MTL.FLM	: METAL FILM RESISTOR
C.PLS	: POLYSTYRENE FILM CAP	R.MTL.OXD	: METAL OXIDE FILM RESISTOR
C.POL	: POLYESTER FILM CAP	R.MTL.PLAT	: METAL PLATE RESISTOR
C.POLY	: POLYETHYLENE FILM CAP	RSNR.CE	: CERAMIC RESONATOR
C.PP	: POLYPROPYLENE FILM CAP	RSNR.CRYS	: CRYSTAL RESONATOR
C.TNTL	: TANTALUM CAP	R.TW.CEM	: TWIN CEMENT FIXED RESISTOR
C.TNTL.CHP	: CHIP TANTALUM CAP	R.WW	: WIRE WOUND RESISTOR
C.TRIM	: TRIMMER CAP	SCR.BND.HD	: BIND HEAD B-TITE SCREW
CN	: CONNECTOR	SCR.BW.HD	: BW HEAD TAPPING SCREW
CN.BS.PIN	: CONNECTOR,BASE PIN	SCR.CUP	: CUP TITE SCREW
CN.CANNON	: CONNECTOR,CANNON	SCR.TERM	: SCREW TERMINAL
CN.DIN	: CONNECTOR,DIN	SCR.TR	: SCREW,TRANSISTOR
CN.FLAT	: CONNECTOR,FLAT CABLE	SUPRT.PCB	: SUPPORT,P.C.B.
CN.POST	: CONNECTOR,BASE POST	SURG.PRTCT	: SURGE PROTECTOR
COIL.MX.AM	: COIL,AM MIX	SW.TACT	: TACT SWITCH
COIL.AT.FM	: COIL,FM ANTENNA	SW.LEAF	: LEAF SWITCH
COIL.DT.FM	: COIL,FM DETECT	SW.LEVER	: LEVER SWITCH
COIL.MX.FM	: COIL,FM MIX	SW.MICRO	: MICRO SWITCH
COIL.OUTPT	: OUTPUT COIL	SW.PUSH	: PUSH SWITCH
DIOD.ARRAY	: DIODE ARRAY	SW.RT.ENC	: ROTARY ENCODER
DIODE.BRG	: DIODE BRIDGE	SW.RT.MTR	: ROTARY SWITCH WITH MOTOR
DIODE.CHP	: CHIP DIODE	SW.RT	: ROTARY SWITCH
DIODE.VAR	: VARACTOR DIODE	SW.SLIDE	: SLIDE SWITCH
DIOD.Z.CHP	: CHIP ZENER DIODE	TERM.SP	: SPEAKER TERMINAL
DIODE.ZENR	: ZENER DIODE	TERM.WRAP	: WRAPPING TERMINAL
DSCR.CE	: CERAMIC DISCRIMINATOR	THRMST.CHP	: CHIP THERMISTOR
FER.BEAD	: FERRITE BEADS	TR.CHP	: CHIP TRANSISTOR
FER.CORE	: FERRITE CORE	TR.DGT	: DIGITAL TRANSISTOR
FET.CHP	: CHIP FET	TR.DGT.CHP	: CHIP DIGITAL TRANSISTOR
FL.DSPLY	: FLUORESCENT DISPLAY	TRANS	: TRANSFORMER
FLTR.CE	: CERAMIC FILTER	TRANS.PULS	: PULSE TRANSFORMER
FLTR.COMB	: COMB FILTER MODULE	TRANS.PWR	: POWER TRANSFORMER ASS'Y
FLTR.LC.RF	: LC FILTER,EMI	TUNER.AM	: TUNER PACK,AM
GND.MTL	: GROUND PLATE	TUNER.FM	: TUNER PACK,FM
GND.TERM	: GROUND TERMINAL	TUNER.PK	: FRONT-ENDTUNER PACK
HOLDER.FUS	: FUSE HOLDER	VR	: ROTARY POTENTIOMETER
IC.PRTCT	: IC PROTECTOR	VR.MTR	: POTENTIOMETER WITH MOTOR
JUMPER.CN	: JUMPER CONNECTOR	VR.SW	: POTENTIOMETER WITH ROTARY SW
JUMPER.TST	: JUMPER,TEST POINT	VR.SLIDE	: SLIDE POTENTIOMETER
L.DTCT	: LIGHT DETECTING MODULE	VR.TRIM	: TRIMMER POTENTIOMETER

**Note)** Those parts marked with “#” are not included in the P.C.B. ass'y.

P.C.B. DSP

Schm Ref.	PART NO.	Description	Remarks	Markets	部品名	Rank
*	WA704000	P. C. B.	DSP	J	P C B D S P	
*	WA704100	P. C. B.	DSP	UCRTKABGL	P C B D S P	
CB602	VF982300	CN. BS. PIN	17P		F F Cコネクター	01
CB603	VF982300	CN. BS. PIN	17P		F F Cコネクター	01
CB604	VB858200	CN. BS. PIN	3P		ベースピン	01
C601	US135100	C. CE. CHP	0.1uF 16V		チップセラコン	01
C602	US135100	C. CE. CHP	0.1uF 16V		チップセラコン	01
C603	US135100	C. CE. CHP	0.1uF 16V		チップセラコン	01
C604	US135100	C. CE. CHP	0.1uF 16V		チップセラコン	01
C605	US061220	C. CE. M. CHP	22pF 50V		チップセラコン	01
C606	US135100	C. CE. CHP	0.1uF 16V		チップセラコン	01
C607	UR847220	C. EL	22uF 25V		ケミコン	01
C608	UR818100	C. EL	100uF 6.3V	J	ケミコン	01
C609	US135100	C. CE. CHP	0.1uF 16V	J	チップセラコン	01
C610	UR819100	C. EL	1000uF 6.3V		ケミコン	01
C611	US135100	C. CE. CHP	0.1uF 16V		チップセラコン	01
C612	US135100	C. CE. CHP	0.1uF 16V		チップセラコン	01
C613	US061100	C. CE. M. CHP	10pF 50V		チップセラコン	01
C614	US135100	C. CE. CHP	0.1uF 16V	J	チップセラコン	01
C615	UR818100	C. EL	100uF 6.3V	J	ケミコン	01
C616	US062220	C. CE. CHP	220pF 50V		チップセラコン	01
C617	US063100	C. CE. M. CHP	1000pF 50V		チップセラコン	01
C618	US044220	C. CE. M. CHP	0.022uF 25V		チップセラコン	01
C619	UR818100	C. EL	100uF 6.3V	J	ケミコン	01
C620	UR818100	C. EL	100uF 6.3V	J	ケミコン	01
C621	US061330	C. CE. M. CHP	33pF 50V		チップセラコン	01
C622	US135100	C. CE. CHP	0.1uF 16V	J	チップセラコン	01
C623	US062100	C. CE. M. CHP	100pF 50V	J	チップセラコン	01
C624	US135100	C. CE. CHP	0.1uF 16V	J	チップセラコン	01
C625	UR819100	C. EL	1000uF 6.3V		ケミコン	01
C626	US135100	C. CE. CHP	0.1uF 16V		チップセラコン	01
C627	US135100	C. CE. CHP	0.1uF 16V		チップセラコン	01
C628	US135100	C. CE. CHP	0.1uF 16V		チップセラコン	01
C629	US063100	C. CE. M. CHP	1000pF 50V		チップセラコン	01
C630	US135100	C. CE. CHP	0.1uF 16V		チップセラコン	01
C631	US135100	C. CE. CHP	0.1uF 16V		チップセラコン	01
C632	US061100	C. CE. M. CHP	10pF 50V		チップセラコン	01
C633	US135100	C. CE. CHP	0.1uF 16V		チップセラコン	01
C634	US135100	C. CE. CHP	0.1uF 16V		チップセラコン	01
C635	UR819100	C. EL	1000uF 6.3V		ケミコン	01
C636	UR818100	C. EL	100uF 6.3V	J	ケミコン	01
C637	UR819100	C. EL	1000uF 6.3V		ケミコン	01
C638	US135100	C. CE. CHP	0.1uF 16V	J	チップセラコン	01
C639	US135100	C. CE. CHP	0.1uF 16V		チップセラコン	01
C640	UR818100	C. EL	100uF 6.3V		ケミコン	01
C641	UR819100	C. EL	1000uF 6.3V		ケミコン	01
C642	US135100	C. CE. CHP	0.1uF 16V		チップセラコン	01
C643	US135100	C. CE. CHP	0.1uF 16V		チップセラコン	01
C644	US135100	C. CE. CHP	0.1uF 16V		チップセラコン	01
C645	US135100	C. CE. CHP	0.1uF 16V		チップセラコン	01
C646	UR818470	C. EL	470uF 6.3V		ケミコン	01
C647	UR818100	C. EL	100uF 6.3V		ケミコン	01
C648	US135100	C. CE. CHP	0.1uF 16V		チップセラコン	01

\* New Parts \* 新規部品(マーク#の部品は、基板に含まれません)

P.C.B. DSP

Schm Ref.	PART NO.	Description	Remarks	Markets	部 品 名	Rank
C649	US061180	C. CE. CHP 18pF 50V			チップセラコン	01
C650	US135100	C. CE. CHP 0.1uF 16V			チップセラコン	01
C651	US061180	C. CE. CHP 18pF 50V			チップセラコン	01
C652	US061470	C. CE. M. CHP 47pF 50V			チップセラコン	01
C653	US135100	C. CE. CHP 0.1uF 16V			チップセラコン	01
C654	UR818470	C. EL 470uF 6.3V			ケミコン	01
C655	US062470	C. CE. M. CHP 470pF 50V			チップセラコン	01
C656	US135100	C. CE. CHP 0.1uF 16V		J	チップセラコン	01
C657	UR818100	C. EL 100uF 6.3V		J	ケミコン	01
C658	US061470	C. CE. M. CHP 47pF 50V			チップセラコン	01
C659	US135100	C. CE. CHP 0.1uF 16V		J	チップセラコン	01
C660	US061470	C. CE. M. CHP 47pF 50V			チップセラコン	01
C661	US061470	C. CE. M. CHP 47pF 50V			チップセラコン	01
C662	US061470	C. CE. M. CHP 47pF 50V			チップセラコン	01
C663	US061470	C. CE. M. CHP 47pF 50V			チップセラコン	01
C664	US061470	C. CE. M. CHP 47pF 50V			チップセラコン	01
C665	US061470	C. CE. M. CHP 47pF 50V			チップセラコン	01
C666	UR818100	C. EL 100uF 6.3V			ケミコン	01
C667	US061470	C. CE. M. CHP 47pF 50V			チップセラコン	01
C668	US061470	C. CE. M. CHP 47pF 50V			チップセラコン	01
C669	US061470	C. CE. M. CHP 47pF 50V			チップセラコン	01
C670	US135100	C. CE. CHP 0.1uF 16V			チップセラコン	01
C671	US061470	C. CE. M. CHP 47pF 50V			チップセラコン	01
C672	US061470	C. CE. M. CHP 47pF 50V			チップセラコン	01
C673	US061470	C. CE. M. CHP 47pF 50V			チップセラコン	01
C674	US061470	C. CE. M. CHP 47pF 50V			チップセラコン	01
C675	US063470	C. CE. CHP 4700pF 50V			チップセラコン	01
C676	US135100	C. CE. CHP 0.1uF 16V		J	チップセラコン	01
C677	US135100	C. CE. CHP 0.1uF 16V		J	チップセラコン	01
C678	UR818100	C. EL 100uF 6.3V			ケミコン	01
C679	US135100	C. CE. CHP 0.1uF 16V			チップセラコン	01
C680	UR818100	C. EL 100uF 6.3V		J	ケミコン	01
C681	UR818100	C. EL 100uF 6.3V		J	ケミコン	01
C682	US135100	C. CE. CHP 0.1uF 16V			チップセラコン	01
C683	US063470	C. CE. CHP 4700pF 50V			チップセラコン	01
C684	UR818100	C. EL 100uF 6.3V			ケミコン	01
C685	US135100	C. CE. CHP 0.1uF 16V			チップセラコン	01
C686	US135100	C. CE. CHP 0.1uF 16V			チップセラコン	01
C687	US135100	C. CE. CHP 0.1uF 16V			チップセラコン	01
C688	US135100	C. CE. CHP 0.1uF 16V			チップセラコン	01
C689	US135100	C. CE. CHP 0.1uF 16V			チップセラコン	01
C690	UR817470	C. EL 47uF 6.3V			ケミコン	01
C691	UR866220	C. EL 2.2uF 50V			ケミコン	01
C692	UR818100	C. EL 100uF 6.3V			ケミコン	01
C693	UR818100	C. EL 100uF 6.3V			ケミコン	01
C694	UR818100	C. EL 100uF 6.3V			ケミコン	01
C695	US135100	C. CE. CHP 0.1uF 16V			チップセラコン	01
C696	UR819100	C. EL 1000uF 6.3V			ケミコン	01
C697	US135100	C. CE. CHP 0.1uF 16V			チップセラコン	01
C698	US064100	C. CE. M. CHP 0.01uF 50V			チップセラコン	01
C699	US062470	C. CE. M. CHP 470pF 50V			チップセラコン	01
C700	US135100	C. CE. CHP 0.1uF 16V			チップセラコン	01
C701	UR819100	C. EL 1000uF 6.3V			ケミコン	01

\* New Parts \* 新規部品(マーク#の部品は、基板に含まれません)

P.C.B. DSP

Schm Ref.	PART NO.	Description	Remarks	Markets	部 品 名	Rank	
C702	US135100	C. CE. CHP	0.1uF	16V		チップセラコン	01
C703	UR818100	C. EL	100uF	6.3V		ケミコン	01
C704	US135100	C. CE. CHP	0.1uF	16V		チップセラコン	01
C705	US061470	C. CE. M. CHP	47pF	50V		チップセラコン	01
C706	US061470	C. CE. M. CHP	47pF	50V		チップセラコン	01
C707	US061470	C. CE. M. CHP	47pF	50V		チップセラコン	01
C708	US061470	C. CE. M. CHP	47pF	50V		チップセラコン	01
C709	US061470	C. CE. M. CHP	47pF	50V		チップセラコン	01
C710	US135100	C. CE. CHP	0.1uF	16V		チップセラコン	01
C711	US135100	C. CE. CHP	0.1uF	16V		チップセラコン	01
C712	US061470	C. CE. M. CHP	47pF	50V		チップセラコン	01
C713	US061470	C. CE. M. CHP	47pF	50V		チップセラコン	01
C714	US061470	C. CE. M. CHP	47pF	50V		チップセラコン	01
C715	US061470	C. CE. M. CHP	47pF	50V		チップセラコン	01
C716	US061470	C. CE. M. CHP	47pF	50V		チップセラコン	01
C717	US061470	C. CE. M. CHP	47pF	50V		チップセラコン	01
C718	US135100	C. CE. CHP	0.1uF	16V		チップセラコン	01
C719	US135100	C. CE. CHP	0.1uF	16V		チップセラコン	01
C720	US135100	C. CE. CHP	0.1uF	16V		チップセラコン	01
C721	US135100	C. CE. CHP	0.1uF	16V		チップセラコン	01
C722	UU118100	C. EL	100uF	6.3V		ケミコン	01
C723	US135100	C. CE. CHP	0.1uF	16V		チップセラコン	01
C724	UU118100	C. EL	100uF	6.3V		ケミコン	01
C725	US135100	C. CE. CHP	0.1uF	16V		チップセラコン	01
C726	US135100	C. CE. CHP	0.1uF	16V		チップセラコン	01
C727	UU118220	C. EL	220uF	6.3V		ケミコン	01
C728	US135100	C. CE. CHP	0.1uF	16V		チップセラコン	01
C729	UU118100	C. EL	100uF	6.3V		ケミコン	01
C730	US135100	C. CE. CHP	0.1uF	16V		チップセラコン	01
C731	UU118220	C. EL	220uF	6.3V		ケミコン	01
C732	US135100	C. CE. CHP	0.1uF	16V		チップセラコン	01
C733	UU137220	C. EL	22uF	16V		ケミコン	01
C734	UU137220	C. EL	22uF	16V		ケミコン	01
C735	UU137220	C. EL	22uF	16V		ケミコン	01
C736	UU137220	C. EL	22uF	16V		ケミコン	01
C737	UA652680	C. MYLAR	680pF	50V		マイラーコン	01
C738	UA652680	C. MYLAR	680pF	50V		マイラーコン	01
C739	UU137100	C. EL	10uF	16V		ケミコン	01
C740	UU137100	C. EL	10uF	16V		ケミコン	01
C741	UU137100	C. EL	10uF	16V		ケミコン	01
C742	UU137100	C. EL	10uF	16V		ケミコン	01
C743	UU137100	C. EL	10uF	16V		ケミコン	01
C744	UU137100	C. EL	10uF	16V		ケミコン	01
C745	UU137100	C. EL	10uF	16V		ケミコン	01
C746	UA652150	C. MYLAR	150pF	50V		マイラーコン	01
C747	UA652150	C. MYLAR	150pF	50V		マイラーコン	01
C748	UU137100	C. EL	10uF	16V		ケミコン	01
C749	UU137100	C. EL	10uF	16V		ケミコン	01
C750	UA652150	C. MYLAR	150pF	50V		マイラーコン	01
C751	UA652150	C. MYLAR	150pF	50V		マイラーコン	01
C752	UA652470	C. MYLAR	470pF	50V		マイラーコン	01
C753	UA652470	C. MYLAR	470pF	50V		マイラーコン	01
C754	UA652470	C. MYLAR	470pF	50V		マイラーコン	01

\* New Parts \* 新規部品(マーク#の部品は、基板に含まれません)

P.C.B. DSP

Schm Ref.	PART NO.	Description	Remarks	Markets	部 品 名	Rank
C755	UA652470	C. MYLAR 470pF 50V			マイラーコン	01
C756	UA652470	C. MYLAR 470pF 50V			マイラーコン	01
C757	UA652470	C. MYLAR 470pF 50V			マイラーコン	01
C758	UA653390	C. MYLAR 3900pF 50V			マイラーコン	01
C759	UR337100	C. EL 10uF 16V			ケミコン A S F	03
C760	UR337100	C. EL 10uF 16V			ケミコン A S F	03
C761	UR337100	C. EL 10uF 16V			ケミコン A S F	03
C762	UU137100	C. EL 10uF 16V			ケミコン	01
C763	UU137100	C. EL 10uF 16V			ケミコン	01
C764	UU137100	C. EL 10uF 16V			ケミコン	01
C765	UU137100	C. EL 10uF 16V			ケミコン	01
C766	UU137100	C. EL 10uF 16V			ケミコン	01
C767	UU137100	C. EL 10uF 16V			ケミコン	01
C768	UU137100	C. EL 10uF 16V			ケミコン	01
C769	UU137100	C. EL 10uF 16V			ケミコン	01
C770	UU137470	C. EL 47uF 16V			ケミコン	01
C771	UU137470	C. EL 47uF 16V			ケミコン	01
C772	UU137470	C. EL 47uF 16V			ケミコン	01
C773	UU137470	C. EL 47uF 16V			ケミコン	01
C774	UU137470	C. EL 47uF 16V			ケミコン	01
C775	UU137470	C. EL 47uF 16V			ケミコン	01
C776	US061470	C. CE. M. CHP 47pF 50V			チップセラコン	01
C778	US135100	C. CE. CHP 0.1uF 16V			チップセラコン	01
C779	US135100	C. CE. CHP 0.1uF 16V			チップセラコン	01
C780	US135100	C. CE. CHP 0.1uF 16V			チップセラコン	01
C781	US135100	C. CE. CHP 0.1uF 16V			チップセラコン	01
C782	US135100	C. CE. CHP 0.1uF 16V			チップセラコン	01
C783	US135100	C. CE. CHP 0.1uF 16V			チップセラコン	01
C790	US135100	C. CE. CHP 0.1uF 16V			チップセラコン	01
C791	US135100	C. CE. CHP 0.1uF 16V			チップセラコン	01
C792	US135100	C. CE. CHP 0.1uF 16V			チップセラコン	01
C793	UA654470	C. MYLAR 0.047uF 50V			マイラーコン	01
C794	US135100	C. CE. CHP 0.1uF 16V			チップセラコン	01
C795	US135100	C. CE. CHP 0.1uF 16V			チップセラコン	01
C796	US135100	C. CE. CHP 0.1uF 16V			チップセラコン	01
D601	VT332900	DIODE 1SS355			ダイオード	01
D602	VT332900	DIODE 1SS355			ダイオード	01
D603	W220700	DIODE. SHOT RB501V-40			ショットキーダイオード	01
D604	W220700	DIODE. SHOT RB501V-40			ショットキーダイオード	01
D605	VT332900	DIODE 1SS355			ダイオード	01
D606	VT332900	DIODE 1SS355			ダイオード	01
D607	VT332900	DIODE 1SS355			ダイオード	01
D608	VT332900	DIODE 1SS355			ダイオード	01
D609	W220700	DIODE. SHOT RB501V-40			ショットキーダイオード	01
D610	W220700	DIODE. SHOT RB501V-40			ショットキーダイオード	01
D611	W220700	DIODE. SHOT RB501V-40			ショットキーダイオード	01
D612	W220700	DIODE. SHOT RB501V-40			ショットキーダイオード	01
IC601	X0238B00	IC YSS938			IC	13
IC602	XV077B00	IC MSM514260E-60JS			メモリ IC 4M	07
IC603	XZ003A00	IC P0025EZ5MZP 2.5V			電源 IC Q F P	03
IC604	XU965A00	IC uPC29M33T-E1 3.3V			電源 IC	03
IC605	X3820A00	IC AK4529V0			IC	
IC606	X3783A00	IC AK4381VT			IC	

\*

\* New Parts \* 新規部品(マーク#の部品は、基板に含まれません)



**RX-V740/RX-V740RDS/DSP-AX740**

**P.C.B. DSP & P.C.B. FUNCTION**

Schm Ref.	PART NO.	Description	Remarks	Markets	部品名	Rank
	IC607	X3473A00 IC	CS493292-CLR		J IC	15
*	IC607	X3939A00 IC	CS493264-CL		UCRTKABGL IC	
	IC608	X4075A00 IC	XC9572XL-10Q100C		J IC	07
*	IC609	X4318A00 IC	CY62556LL70SNCT		J メモリ IC 256K	
	IC610	X3938A00 IC	MX23C4000TC-10		J メモリ IC 4M	05
	IC611	XR038A00 IC	NJM2904M OP AMP		IC	01
	IC612	XY120A00 IC	TC74HCT00AF(EL) NA		ロジック IC SOP	01
	IC613	XY070A00 IC	MM74HCU04SJX INVER		ロジック IC SOP	01
	IC614	XZ012A00 IC	TC74HCT08AF(EL)		ロジック IC SOP	01
*	IC615	X4074A00 IC	74LCX07SJX BUFFER		ロジック IC	
	IC616	X3505A00 IC	NJM2068MD-TE2		アンプ IC SOP	02
	IC617	XF291A00 IC	uPC4570G2		IC	03
	IC618	XF291A00 IC	uPC4570G2		IC	03
	IC619	X3505A00 IC	NJM2068MD-TE2		アンプ IC SOP	02
	IC620	XF291A00 IC	uPC4570G2		IC	03
	IC621	XF291A00 IC	uPC4570G2		IC	03
	IC622	XR042A00 IC	TC74HC153AF		IC	02
	IC623	XR042A00 IC	TC74HC153AF		IC	02
	L601	V2726500 COIL	68uH		コイル	01
	L602	V2726500 COIL	68uH		コイル	01
	L603	V2726500 COIL	68uH		コイル	01
	PJ601	V4483900 JACK. PIN	YKC21-3895		ピンジャック 1P	
	Q601	VC124000 TR. DGT	DTA144EK		デジタルトランジスタ	03
	Q602	VD303700 TR	2SC3326 A,B		トランジスタ	01
	Q603	VD303700 TR	2SC3326 A,B		トランジスタ	01
	Q604	VD303700 TR	2SC3326 A,B		トランジスタ	01
	R612	HV753220 R. CAR. FP	2.2Ω 1/4W		不燃化カーボン抵抗	01
	R649	HV753220 R. CAR. FP	2.2Ω 1/4W		不燃化カーボン抵抗	01
	R664	HV753220 R. CAR. FP	2.2Ω 1/4W		不燃化カーボン抵抗	01
	R690	HV753220 R. CAR. FP	2.2Ω 1/4W		不燃化カーボン抵抗	01
	R700	VP939500 R. MTL. FLM	1Ω 1W		金属被膜抵抗	01
	R701	VP939500 R. MTL. FLM	1Ω 1W		金属被膜抵抗	01
	R703	VU224000 R. MTL. FLM	0.22Ω 1W		金属被膜抵抗	01
	R706	VU224000 R. MTL. FLM	0.22Ω 1W		金属被膜抵抗	01
	R730	VP939600 R. MTL. FLM	2.2Ω 1W		金属被膜抵抗	
	R738	VP939600 R. MTL. FLM	2.2Ω 1W		金属被膜抵抗	
	ST1	V4040500 SCR. TERM	M3		スクリー/ターミナル	01
	U601	V6022800 CN. FBRLINK	1P GP1FA551TZ		光ファイバデータリンク	03
	U602	V5478200 CN. PHOT. SN	1P GP1FA551RZ		光ファイバ受信器	06
	U603	V5478200 CN. PHOT. SN	1P GP1FA551RZ		光ファイバ受信器	06
	U604	V5478200 CN. PHOT. SN	1P GP1FA551RZ		光ファイバ受信器	06
	XL601	V3625700 RSNR. CRYST	24.576MHz		水晶振動子	03
*		WA705000 P.C.B.	FUNCTION	740	J PCB ファンクション	
*		WA705100 P.C.B.	FUNCTION	740	UC PCB ファンクション	
*		WA705200 P.C.B.	FUNCTION	740	RTK PCB ファンクション	
*		WA705300 P.C.B.	FUNCTION	740	A PCB ファンクション	
*		WA705400 P.C.B.	FUNCTION	740	BG PCB ファンクション	
*		WA705500 P.C.B.	FUNCTION	740	L PCB ファンクション	
	CB301	V7826600 CN	16P TE TUC SERIES	740		コネクタプラグ 01
	CB302	V7828500 SOCKET	18P TE TUC SERIES	740		コネクタソケット

\* New Parts \* 新規部品(マーク#の部品は、基板に含まれません)

RX-V740/RX-V740RDS/DSP-AX740  
RX-V640/RX-V640RDS/HTR-5660/DSP-AX640/DSP-AX640SE



**RX-V740/RX-V740RDS/DSP-AX740**

**P.C.B. FUNCTION**

Schm Ref.	PART NO.	Description	Remarks	Markets	部 品 名	Rank	
CB303	V7827500	SOCKET	8P SE TUC SERIES	740		コネクタースOCKET	
CB304	VM973500	CN. BS. PIN	17P	740		F F Cコネクター	01
CB305	VP682300	CN. BS. PIN	8P	740		F F Cコネクター	01
CB306	VB858800	CN. BS. PIN	9P	740		ベースピン	01
CB307	VF982300	CN. BS. PIN	17P	740		F F Cコネクター	01
CB501	V7828300	SOCKET	16P TE TUC SERIES	740		コネクタースOCKET	01
CB502	V7826600	CN	16P TE TUC SERIES	740		コネクタープラグ	01
CB503	V7828300	SOCKET	16P TE TUC SERIES	740		コネクタースOCKET	01
CB601	VM929900	CN. BS. PIN	15P	740		F P Cコネクター	01
CB602	Vi879000	CN. BS. PIN	12P	740		ケーブルホルダー	01
CB603	Vi878800	CN. BS. PIN	10P	740		ケーブルホルダー	01
CB604	Vi878100	CN. BS. PIN	3P	740	UCA	ケーブルホルダー	01
CB605	VQ047400	CN. BS. PIN	19P	740		F F Cコネクター	01
CB606	VM973500	CN. BS. PIN	17P	740		F F Cコネクター	01
CB607	V7825800	CN	8P TE TUC SERIES	740	UCRTKABGL	コネクタープラグ	
CB608	V7825800	CN	8P TE TUC SERIES	740		コネクタープラグ	
CB609	V7826000	CN	10P TE TUC SERIES	740		コネクタープラグ	01
CB610	V7826200	CN	12P TE TUC SERIES	740		コネクタープラグ	01
CB611	V7826800	CN	18P TE TUC SERIES	740		コネクタープラグ	
CB612	V7825800	CN	8P TE TUC SERIES	740		コネクタープラグ	
CB613	VQ044400	CN. BS. PIN	9P	740		F F Cコネクター	01
CB701	V7827700	SOCKET	10P SE TUC SERIES	740		コネクタースOCKET	
CB702	V7827500	SOCKET	8P SE TUC SERIES	740		コネクタースOCKET	
CB801	V7827900	SOCKET	12P TE TUC SERIES	740		コネクタースOCKET	
CB821	V7827500	SOCKET	8P SE TUC SERIES	740	UCRTKABGL	コネクタースOCKET	
CB851	Vi878100	CN. BS. PIN	3P	740	UCA	ケーブルホルダー	01
C301	US064100	C. CE. M. CHP	0.01uF 50V	740		チップセラコン	01
C302	UA652100	C. MYLAR	100pF 50V	740	ABGL	マイラーコン	01
C303	UA652100	C. MYLAR	100pF 50V	740	ABGL	マイラーコン	01
C304	UA652220	C. MYLAR	220pF 50V	740		マイラーコン	01
C305	UA652220	C. MYLAR	220pF 50V	740		マイラーコン	01
C306	UR828220	C. EL	220uF 10V	740		ケミコン	01
C307	UR828220	C. EL	220uF 10V	740		ケミコン	01
C308	UA653910	C. MYLAR	9100pF 50V	740		マイラーコン	01
C309	UA653910	C. MYLAR	9100pF 50V	740		マイラーコン	01
C310	UA654330	C. MYLAR	0.033uF 50V	740		マイラーコン	01
C311	UA654330	C. MYLAR	0.033uF 50V	740		マイラーコン	01
C312	UR877100	C. EL	10uF 63V	740		ケミコン	01
C313	UR877100	C. EL	10uF 63V	740		ケミコン	01
C314	UA653100	C. MYLAR	1000pF 50V	740		マイラーコン	03
C315	UA653100	C. MYLAR	1000pF 50V	740		マイラーコン	03
C316	VG287500	C. EL	47uF 50V	740		ケミコン	01
C317	VG287500	C. EL	47uF 50V	740		ケミコン	01
C318	UT652100	C. PP	100pF 100V	740		P Pコン	01
C319	UT652100	C. PP	100pF 100V	740		P Pコン	01
C320	UA652100	C. MYLAR	100pF 50V	740		マイラーコン	01
C321	UA652100	C. MYLAR	100pF 50V	740		マイラーコン	01
C322	FG651470	C. CE	47pF 50V	740		セラコン	01
C323	FG651470	C. CE	47pF 50V	740		セラコン	01
C324	US135100	C. CE. CHP	0.1uF 16V	740		チップセラコン	01
C325	US135100	C. CE. CHP	0.1uF 16V	740		チップセラコン	01
C326	US135100	C. CE. CHP	0.1uF 16V	740		チップセラコン	01
C327	US135100	C. CE. CHP	0.1uF 16V	740		チップセラコン	01

\* New Parts \* 新規部品(マーク#の部品は、基板に含まれません)

## RX-V740/RX-V740RDS/DSP-AX740

## P.C.B. FUNCTION

Schm Ref.	PART NO.	Description	Remarks	Markets	部 品 名	Rank
C328	UR877100	C. EL 10uF 63V	740		ケミコン	01
C329	UR877100	C. EL 10uF 63V	740		ケミコン	01
C330	US064100	C. CE. M. CHP 0.01uF 50V	740		チップセラコン	01
C331	US062220	C. CE. CHP 220pF 50V	740		チップセラコン	01
C332	US062220	C. CE. CHP 220pF 50V	740		チップセラコン	01
C333	US062220	C. CE. CHP 220pF 50V	740		チップセラコン	01
C334	US062220	C. CE. CHP 220pF 50V	740		チップセラコン	01
C335	US062220	C. CE. CHP 220pF 50V	740		チップセラコン	01
C336	US062220	C. CE. CHP 220pF 50V	740		チップセラコン	01
C337	US135100	C. CE. CHP 0.1uF 16V	740		チップセラコン	01
C338	US135100	C. CE. CHP 0.1uF 16V	740		チップセラコン	01
C341	UU137100	C. EL 10uF 16V	740		ケミコン	01
C342	UU137100	C. EL 10uF 16V	740		ケミコン	01
C343	UA654270	C. MYLAR 0.027uF 50V	740		マイラーコン	01
C344	UA654270	C. MYLAR 0.027uF 50V	740		マイラーコン	01
C345	UU137100	C. EL 10uF 16V	740		ケミコン	01
C346	UU137100	C. EL 10uF 16V	740		ケミコン	01
C347	UA654270	C. MYLAR 0.027uF 50V	740		マイラーコン	01
C348	UA654270	C. MYLAR 0.027uF 50V	740		マイラーコン	01
C349	UT652100	C. PP 100pF 100V	740		PPコン	01
C350	UT652100	C. PP 100pF 100V	740		PPコン	01
C351	V4578900	C. EL 47uF 35V	740		ケミコン	
C352	V4578900	C. EL 47uF 35V	740		ケミコン	
C353	UU166330	C. EL 3.3uF 50V	740		ケミコン	01
C354	UU166330	C. EL 3.3uF 50V	740		ケミコン	01
C355	VG287500	C. EL 47uF 50V	740		ケミコン	01
C356	VG287500	C. EL 47uF 50V	740		ケミコン	01
C357	UU137100	C. EL 10uF 16V	740		ケミコン	01
C358	UR877100	C. EL 10uF 63V	740		ケミコン	01
C359	UT652100	C. PP 100pF 100V	740		PPコン	01
C360	UU166330	C. EL 3.3uF 50V	740		ケミコン	01
C361	UR866330	C. EL 3.3uF 50V	740		ケミコン	01
C362	UR877100	C. EL 10uF 63V	740		ケミコン	01
C363	UR877100	C. EL 10uF 63V	740		ケミコン	01
C364	UR866330	C. EL 3.3uF 50V	740		ケミコン	01
C365	UR866330	C. EL 3.3uF 50V	740		ケミコン	01
C366	UR866470	C. EL 4.7uF 50V	740		ケミコン	01
C367	US135100	C. CE. CHP 0.1uF 16V	740		チップセラコン	01
C368	US135100	C. CE. CHP 0.1uF 16V	740		チップセラコン	01
C369	UR866330	C. EL 3.3uF 50V	740		ケミコン	01
C370	UU137100	C. EL 10uF 16V	740		ケミコン	01
C371	US135100	C. CE. CHP 0.1uF 16V	740		チップセラコン	01
C372	US135100	C. CE. CHP 0.1uF 16V	740		チップセラコン	01
C373	UU137100	C. EL 10uF 16V	740		ケミコン	01
C374	UR877100	C. EL 10uF 63V	740		ケミコン	01
C375	UR877100	C. EL 10uF 63V	740		ケミコン	01
C376	UU137100	C. EL 10uF 16V	740		ケミコン	01
C377	UR877100	C. EL 10uF 63V	740		ケミコン	01
C378	UR877100	C. EL 10uF 63V	740		ケミコン	01
C379	UR877100	C. EL 10uF 63V	740		ケミコン	01
C380	UU137100	C. EL 10uF 16V	740		ケミコン	01
C381	UR877100	C. EL 10uF 63V	740		ケミコン	01
C382	UU137100	C. EL 10uF 16V	740		ケミコン	01

\* New Parts \* 新規部品(マーク#の部品は、基板に含まれません)

**RX-V740/RX-V740RDS/DSP-AX740**

**P.C.B. FUNCTION**

Schm Ref.	PART NO.	Description	Remarks	Markets	部 品 名	Rank
C383	UR877100	C. EL	10uF 63V	740	ケミコン	01
C384	US135100	C. CE. CHP	0.1uF 16V	740	チップセラコン	01
C385	US135100	C. CE. CHP	0.1uF 16V	740	チップセラコン	01
C386	US135100	C. CE. CHP	0.1uF 16V	740	チップセラコン	01
C387	US135100	C. CE. CHP	0.1uF 16V	740	チップセラコン	01
C388	US135100	C. CE. CHP	0.1uF 16V	740	チップセラコン	01
C389	US135100	C. CE. CHP	0.1uF 16V	740	チップセラコン	01
C390	US135100	C. CE. CHP	0.1uF 16V	740	チップセラコン	01
C391	US135100	C. CE. CHP	0.1uF 16V	740	チップセラコン	01
C392	VG291200	C. EL	47uF 50V	740	ケミコン	01
C393	VG291200	C. EL	47uF 50V	740	ケミコン	01
C394	VG287200	C. EL	10uF 50V	740	ケミコン	01
C395	UR838100	C. EL	100uF 16V	740	ケミコン	01
C396	UU137220	C. EL	22uF 16V	740	ケミコン	01
C397	UR837220	C. EL	22uF 16V	740	ケミコン	01
C398	UR837220	C. EL	22uF 16V	740	ケミコン	01
C399	UR837220	C. EL	22uF 16V	740	ケミコン	01
C400	UA652100	C. MYLAR	100pF 50V	740	マイラーコン	01
C401	UA652100	C. MYLAR	100pF 50V	740	マイラーコン	01
C402	UA652100	C. MYLAR	100pF 50V	740	マイラーコン	01
C403	UT652100	C. PP	100pF 100V	740	PPコン	01
C404	UA652100	C. MYLAR	100pF 50V	740	マイラーコン	01
C405	UR877100	C. EL	10uF 63V	740	ケミコン	01
C406	UU137100	C. EL	10uF 16V	740	ケミコン	01
C407	UR877100	C. EL	10uF 63V	740	ケミコン	01
C408	UR877100	C. EL	10uF 63V	740	ケミコン	01
C409	UR877100	C. EL	10uF 63V	740	ケミコン	01
C410	UU137220	C. EL	22uF 16V	740	ケミコン	01
C411	UU137220	C. EL	22uF 16V	740	ケミコン	01
C412	UR837220	C. EL	22uF 16V	740	ケミコン	01
C413	UR837220	C. EL	22uF 16V	740	ケミコン	01
C414	UR837220	C. EL	22uF 16V	740	ケミコン	01
C415	UR837220	C. EL	22uF 16V	740	ケミコン	01
C416	UT652100	C. PP	100pF 100V	740	PPコン	01
C417	UT652100	C. PP	100pF 100V	740	PPコン	01
C418	VG287500	C. EL	47uF 50V	740	ケミコン	01
C419	VG287500	C. EL	47uF 50V	740	ケミコン	01
C420	US135100	C. CE. CHP	0.1uF 16V	740	チップセラコン	01
C421	US135100	C. CE. CHP	0.1uF 16V	740	チップセラコン	01
C422	US135100	C. CE. CHP	0.1uF 16V	740	チップセラコン	01
C423	US135100	C. CE. CHP	0.1uF 16V	740	チップセラコン	01
C424	VG291200	C. EL	47uF 50V	740	ケミコン	01
C425	VG291200	C. EL	47uF 50V	740	ケミコン	01
C426	US062100	C. CE. M. CHP	100pF 50V	740	チップセラコン	01
C427	US135100	C. CE. CHP	0.1uF 16V	740	チップセラコン	01
C428	US064100	C. CE. M. CHP	0.01uF 50V	740	チップセラコン	01
C429	US064100	C. CE. M. CHP	0.01uF 50V	740	チップセラコン	01
C430	US064100	C. CE. M. CHP	0.01uF 50V	740	チップセラコン	01
C431	US064100	C. CE. M. CHP	0.01uF 50V	740	チップセラコン	01
C432	US064100	C. CE. M. CHP	0.01uF 50V	740	チップセラコン	01
C433	US064100	C. CE. M. CHP	0.01uF 50V	740	チップセラコン	01
C434	VG291200	C. EL	47uF 50V	740	ケミコン	01
C435	VG291200	C. EL	47uF 50V	740	ケミコン	01

\* New Parts \* 新規部品(マーク#の部品は、基板に含まれません)

## RX-V740/RX-V740RDS/DSP-AX740

## P.C.B. FUNCTION

Schm Ref.	PART NO.	Description	Remarks	Markets	部 品 名	Rank	
C436	US064100	C. CE. M. CHP	0.01uF 50V	740		チップセラコン	01
C437	US064100	C. CE. M. CHP	0.01uF 50V	740		チップセラコン	01
C438	UA652100	C. MYLAR	100pF 50V	740		マイラーコン	01
C439	UA652100	C. MYLAR	100pF 50V	740		マイラーコン	01
C440	UA652100	C. MYLAR	100pF 50V	740		マイラーコン	01
C441	US061470	C. CE. M. CHP	47pF 50V	740		チップセラコン	01
C442	US062100	C. CE. M. CHP	100pF 50V	740		チップセラコン	01
C443	US135100	C. CE. CHP	0.1uF 16V	740		チップセラコン	01
C502	UA652100	C. MYLAR	100pF 50V	740		マイラーコン	01
C503	UA652100	C. MYLAR	100pF 50V	740		マイラーコン	01
C504	UA652100	C. MYLAR	100pF 50V	740		マイラーコン	01
C505	UA652100	C. MYLAR	100pF 50V	740		マイラーコン	01
C506	UA652100	C. MYLAR	100pF 50V	740		マイラーコン	01
C507	UA652100	C. MYLAR	100pF 50V	740		マイラーコン	01
C508	FG651470	C. CE	47pF 50V	740		セラコン	01
C509	FG651470	C. CE	47pF 50V	740		セラコン	01
C510	UA652100	C. MYLAR	100pF 50V	740		マイラーコン	01
C511	UA652100	C. MYLAR	100pF 50V	740		マイラーコン	01
C512	FG651470	C. CE	47pF 50V	740		セラコン	01
C513	FG651470	C. CE	47pF 50V	740		セラコン	01
C514	FG651470	C. CE	47pF 50V	740	UCA	セラコン	01
C515	FG651470	C. CE	47pF 50V	740	UCA	セラコン	01
C516	UR877100	C. EL	10uF 63V	740	UCA	ケミコン	01
C517	UR877100	C. EL	10uF 63V	740	UCA	ケミコン	01
C522	UR877100	C. EL	10uF 63V	740		ケミコン	01
C523	UR877100	C. EL	10uF 63V	740		ケミコン	01
C526	UR877100	C. EL	10uF 63V	740		ケミコン	01
C527	UR877100	C. EL	10uF 63V	740		ケミコン	01
C602	UR847470	C. EL	47uF 25V	740		ケミコン	01
C603	UR877100	C. EL	10uF 63V	740		ケミコン	01
C604	UR865100	C. EL	0.1uF 50V	740		ケミコン	01
C605	UR865220	C. EL	0.22uF 50V	740		ケミコン	01
C606	UR865100	C. EL	0.1uF 50V	740		ケミコン	01
C607	WB165500	C. EL	0.33F 5.5V	740		ゴールドキャパシタ	
C608	UR818220	C. EL	220uF 6.3V	740		ケミコン	01
C609	UR819100	C. EL	1000uF 6.3V	740		ケミコン	01
C610	UR819100	C. EL	1000uF 6.3V	740		ケミコン	01
C611	US135100	C. CE. CHP	0.1uF 16V	740		チップセラコン	01
C612	US135100	C. CE. CHP	0.1uF 16V	740		チップセラコン	01
C613	US135100	C. CE. CHP	0.1uF 16V	740		チップセラコン	01
C614	US135100	C. CE. CHP	0.1uF 16V	740		チップセラコン	01
C615	US062100	C. CE. M. CHP	100pF 50V	740		チップセラコン	01
C616	UR866220	C. EL	2.2uF 50V	740		ケミコン	01
C618	UR866220	C. EL	2.2uF 50V	740		ケミコン	01
C619	UR866220	C. EL	2.2uF 50V	740	UCA	ケミコン	01
C620	UR866220	C. EL	2.2uF 50V	740		ケミコン	01
C621	UR866220	C. EL	2.2uF 50V	740		ケミコン	01
C622	US064100	C. CE. M. CHP	0.01uF 50V	740		チップセラコン	01
C623	US062100	C. CE. M. CHP	100pF 50V	740		チップセラコン	01
C624	US063100	C. CE. M. CHP	1000pF 50V	740		チップセラコン	01
C625	US062100	C. CE. M. CHP	100pF 50V	740		チップセラコン	01
C626	US062100	C. CE. M. CHP	100pF 50V	740		チップセラコン	01
C627	US062100	C. CE. M. CHP	100pF 50V	740		チップセラコン	01

\* New Parts \* 新規部品(マーク#の部品は、基板に含まれません)

**RX-V740/RX-V740RDS/DSP-AX740**

**P.C.B. FUNCTION**

Schm Ref.	PART NO.	Description	Remarks	Markets	部 品 名	Rank
C628	UR847470	C. EL 47uF 25V	740		ケミコン	01
C629	UR847470	C. EL 47uF 25V	740		ケミコン	01
C630	UR877100	C. EL 10uF 63V	740		ケミコン	01
C631	US135100	C. CE. CHP 0.1uF 16V	740	BG	チップセラコン	01
C632	US062330	C. CE. M. CHP 330pF 50V	740	BG	チップセラコン	01
C633	US062330	C. CE. M. CHP 330pF 50V	740	BG	チップセラコン	01
C634	UR847470	C. EL 47uF 25V	740	BG	ケミコン	01
C635	UR847470	C. EL 47uF 25V	740	BG	ケミコン	01
C636	US062560	C. CE. CHP 560pF 50V	740	BG	チップセラ (S L)	01
C637	VA761100	C. CE 27pF 50V	740	BG	セラコン	01
C638	US135100	C. CE. CHP 0.1uF 16V	740	BG	チップセラコン	01
C639	VA761100	C. CE 27pF 50V	740	BG	セラコン	01
C640	UR847470	C. EL 47uF 25V	740	BG	ケミコン	01
C641	UR858100	C. EL 100uF 35V	740		ケミコン	01
C701	US062100	C. CE. M. CHP 100pF 50V	740		チップセラコン	01
C702	US062100	C. CE. M. CHP 100pF 50V	740		チップセラコン	01
C703	US062100	C. CE. M. CHP 100pF 50V	740		チップセラコン	01
C704	US062100	C. CE. M. CHP 100pF 50V	740		チップセラコン	01
C705	US062100	C. CE. M. CHP 100pF 50V	740		チップセラコン	01
C706	US062100	C. CE. M. CHP 100pF 50V	740		チップセラコン	01
C707	US135100	C. CE. CHP 0.1uF 16V	740		チップセラコン	01
C708	US135100	C. CE. CHP 0.1uF 16V	740		チップセラコン	01
C709	US135100	C. CE. CHP 0.1uF 16V	740		チップセラコン	01
C710	UR829100	C. EL 1000uF 10V	740		ケミコン	01
C711	UR838100	C. EL 100uF 16V	740		ケミコン	01
C712	UR838100	C. EL 100uF 16V	740		ケミコン	01
C713	US135100	C. CE. CHP 0.1uF 16V	740		チップセラコン	01
C714	US135100	C. CE. CHP 0.1uF 16V	740		チップセラコン	01
C715	US135100	C. CE. CHP 0.1uF 16V	740		チップセラコン	01
C716	US135100	C. CE. CHP 0.1uF 16V	740		チップセラコン	01
C717	UR866470	C. EL 4.7uF 50V	740		ケミコン	01
C718	US062100	C. CE. M. CHP 100pF 50V	740		チップセラコン	01
C719	US135100	C. CE. CHP 0.1uF 16V	740		チップセラコン	01
C720	UR847470	C. EL 47uF 25V	740		ケミコン	01
C721	UR838100	C. EL 100uF 16V	740		ケミコン	01
C722	UR838100	C. EL 100uF 16V	740		ケミコン	01
C723	UR838100	C. EL 100uF 16V	740		ケミコン	01
C724	UR838100	C. EL 100uF 16V	740		ケミコン	01
C725	US062470	C. CE. M. CHP 470pF 50V	740		チップセラコン	01
C726	UR838100	C. EL 100uF 16V	740		ケミコン	01
C727	UR838100	C. EL 100uF 16V	740		ケミコン	01
C728	US064100	C. CE. M. CHP 0.01uF 50V	740		チップセラコン	01
C729	UR877100	C. EL 10uF 63V	740		ケミコン	01
C730	UR838100	C. EL 100uF 16V	740		ケミコン	01
C731	US135100	C. CE. CHP 0.1uF 16V	740		チップセラコン	01
C732	UR847470	C. EL 47uF 25V	740		ケミコン	01
C733	US060800	C. CE. CHP 8pF 50V	740		チップセラコン	01
C734	US061330	C. CE. M. CHP 33pF 50V	740		チップセラコン	01
C735	US062120	C. CE. CHP 120pF 50V	740		チップセラコン	01
C736	UR866100	C. EL 1uF 50V	740		ケミコン	01
C737	US060700	C. CE. CHP 7pF 50V	740		チップセラコン	01
C738	US062220	C. CE. CHP 220pF 50V	740		チップセラコン	01
C739	US062470	C. CE. M. CHP 470pF 50V	740		チップセラコン	01

\* New Parts \* 新規部品(マーク#の部品は、基板に含まれません)

RX-V740/RX-V740RDS/DSP-AX740  
 RX-V640/RX-V640RDS/HTR-5660/DSP-AX640/DSP-AX640SE

## RX-V740/RX-V740RDS/DSP-AX740

## P.C.B. FUNCTION

Schm Ref.	PART NO.	Description	Remarks	Markets	部 品 名	Rank
C740	US061240	C. CE. CHP 24pF 50V	740		チップセラ (CH)	01
C741	UR866470	C. EL 4.7uF 50V	740		ケミコン	01
C742	UR866100	C. EL 1uF 50V	740		ケミコン	01
C743	US061240	C. CE. CHP 24pF 50V	740		チップセラ (CH)	01
C744	UR877100	C. EL 10uF 63V	740		ケミコン	01
C745	US063120	C. CE. M. CHP 1200pF 50V	740		チップセラコン	01
C746	UR838100	C. EL 100uF 16V	740		ケミコン	01
C747	UR818330	C. EL 330uF 6.3V	740		ケミコン	01
C748	US135100	C. CE. CHP 0.1uF 16V	740		チップセラコン	01
C801	US062100	C. CE. M. CHP 100pF 50V	740		チップセラコン	01
C802	US062100	C. CE. M. CHP 100pF 50V	740		チップセラコン	01
C803	US062100	C. CE. M. CHP 100pF 50V	740		チップセラコン	01
C804	UR838100	C. EL 100uF 16V	740		ケミコン	01
C805	UR838100	C. EL 100uF 16V	740		ケミコン	01
C806	US135100	C. CE. CHP 0.1uF 16V	740		チップセラコン	01
C807	US135100	C. CE. CHP 0.1uF 16V	740		チップセラコン	01
C808	UR847470	C. EL 47uF 25V	740		ケミコン	01
C809	UR838100	C. EL 100uF 16V	740		ケミコン	01
C810	UR838100	C. EL 100uF 16V	740		ケミコン	01
C811	US135100	C. CE. CHP 0.1uF 16V	740		チップセラコン	01
C812	US135100	C. CE. CHP 0.1uF 16V	740		チップセラコン	01
C813	UR847470	C. EL 47uF 25V	740		ケミコン	01
C821	US060800	C. CE. M. CHP 8pF 50V	740	UCRTKABGL	チップセラコン	01
C822	US060800	C. CE. M. CHP 8pF 50V	740	UCRTKABGL	チップセラコン	01
C823	US060800	C. CE. M. CHP 8pF 50V	740	UCRTKABGL	チップセラコン	01
C824	US135100	C. CE. CHP 0.1uF 16V	740	UCRTKABGL	チップセラコン	01
C825	US135100	C. CE. CHP 0.1uF 16V	740	UCRTKABGL	チップセラコン	01
C826	UR838100	C. EL 100uF 16V	740	UCRTKABGL	ケミコン	01
C827	UR838100	C. EL 100uF 16V	740	UCRTKABGL	ケミコン	01
C828	UR877100	C. EL 10uF 63V	740	UCRTKABGL	ケミコン	01
C829	UR877100	C. EL 10uF 63V	740	UCRTKABGL	ケミコン	01
C830	UR877100	C. EL 10uF 63V	740	UCRTKABGL	ケミコン	01
C851	US064100	C. CE. M. CHP 0.01uF 50V	740	UCA	チップセラコン	01
C852	US064100	C. CE. M. CHP 0.01uF 50V	740	UCA	チップセラコン	01
C853	US064100	C. CE. M. CHP 0.01uF 50V	740	UCA	チップセラコン	01
D301	VT332900	DIODE 1SS355	740		ダイオード	01
D302	VU993000	DIODE. ZENR MA8056-M 5.6V	740		ツェナーダイオード	01
D303	VU993000	DIODE. ZENR MA8056-M 5.6V	740		ツェナーダイオード	01
D304	VU993000	DIODE. ZENR MA8056-M 5.6V	740		ツェナーダイオード	01
D315	VU993000	DIODE. ZENR MA8056-M 5.6V	740		ツェナーダイオード	01
D316	VU993000	DIODE. ZENR MA8056-M 5.6V	740		ツェナーダイオード	01
D603	VT332900	DIODE 1SS355	740		ダイオード	01
D604	VU993400	DIODE. ZENR MA8062-M 6.2V	740	RTK	ツェナーダイオード	01
D604	VU993800	DIODE. ZENR MA8068-M 6.8V	740	JUCABGL	ツェナーダイオード	01
D605	VT332900	DIODE 1SS355	740		ダイオード	01
D606	VT332900	DIODE 1SS355	740		ダイオード	01
D607	VT332900	DIODE 1SS355	740		ダイオード	01
D608	VT332900	DIODE 1SS355	740		ダイオード	01
D609	VU992600	DIODE. ZENR MA8051-M 5.1V	740		ツェナーダイオード	01
D610	VU992600	DIODE. ZENR MA8051-M 5.1V	740		ツェナーダイオード	01
D611	VU992600	DIODE. ZENR MA8051-M 5.1V	740		ツェナーダイオード	01
D612	VU993000	DIODE. ZENR MA8056-M 5.6V	740		ツェナーダイオード	01
D613	VU992600	DIODE. ZENR MA8051-M 5.1V	740		ツェナーダイオード	01

\* New Parts \* 新規部品(マーク#の部品は、基板に含まれません)



**RX-V740/RX-V740RDS/DSP-AX740**

**P.C.B. FUNCTION**

Schm Ref.	PART NO.	Description	Remarks	Markets	部 品 名	Rank	
D701	VT332900	DIODE	1SS355	740	JUCABGL	ダイオード	01
D702	VT332900	DIODE	1SS355	740		ダイオード	01
D703	VT332900	DIODE	1SS355	740		ダイオード	01
D704	VT332900	DIODE	1SS355	740		ダイオード	01
D705	VT332900	DIODE	1SS355	740		ダイオード	01
D706	VT332900	DIODE	1SS355	740		ダイオード	01
D707	VT332900	DIODE	1SS355	740		ダイオード	01
D708	VT332900	DIODE	1SS355	740		ダイオード	01
D709	VT332900	DIODE	1SS355	740		ダイオード	01
D710	VT332900	DIODE	1SS355	740		ダイオード	01
D851	VT332900	DIODE	1SS355	740	UCA	ダイオード	01
IC301	X3547A00	IC	BD3841FS	740		IC	
IC302	XS790A00	IC	TC74HC4052AF MPX	740		ロジックIC	02
IC303	XS790A00	IC	TC74HC4052AF MPX	740		ロジックIC	02
IC304	XY879A00	IC	TC74HC4053AF(EL)	740		ロジックIC SOP	03
IC305	XY879A00	IC	TC74HC4053AF(EL)	740		ロジックIC SOP	03
IC306	XZ545A00	IC	YAC520-EE2	740		IC	04
IC307	XZ545A00	IC	YAC520-EE2	740		IC	04
IC308	XZ545A00	IC	YAC520-EE2	740		IC	04
IC309	XZ545A00	IC	YAC520-EE2	740		IC	04
IC310	XZ736A00	IC	TC74HC164AF-EL	740		ロジックIC	04
IC311	XF291A00	IC	uPC4570G2	740		IC	03
IC312	X3505A00	IC	NJM2068MD-TE2	740		アンプIC SOP	02
IC313	X3505A00	IC	NJM2068MD-TE2	740		アンプIC SOP	02
IC314	XF291A00	IC	uPC4570G2	740		IC	03
IC315	X3505A00	IC	NJM2068MD-TE2	740		アンプIC SOP	02
IC316	XF291A00	IC	uPC4570G2	740		IC	03
IC317	XF291A00	IC	uPC4570G2	740		IC	03
IC318	XF291A00	IC	uPC4570G2	740		IC	03
IC319	XY879A00	IC	TC74HC4053AF(EL)	740		ロジックIC SOP	03
IC320	XY879A00	IC	TC74HC4053AF(EL)	740		ロジックIC SOP	03
* IC601	X3604B00	IC. CPU	M3062VMGP-062FP	740		IC CPU	
IC602	XJ757A00	IC	NJM78L05A-T3	740		IC	01
IC603	XY534A00	IC	LC72722	740	BG	RDSデコーダIC	06
IC701	XY549A00	IC	TC74HC4051AFEL	740		ロジックIC SOP	02
IC702	XY549A00	IC	TC74HC4051AFEL	740		ロジックIC SOP	02
IC703	XY443A00	IC	LA7109 6CH	740		アンプIC SOP	05
IC704	XZ060A00	IC	LC74781-9798	740		IC SDIP	05
IC705	XW939A00	IC	TK15420M VIDEO AMP	740		アンプIC SOP	03
IC706	XW939A00	IC	TK15420M VIDEO AMP	740	JUCABGL	アンプIC SOP	03
IC707	XY879A00	IC	TC74HC4053AF(EL)	740		ロジックIC SOP	03
IC708	XD598A00	IC	TC74HCU04AFEL INV	740		ロジックIC	01
IC709	XY879A00	IC	TC74HC4053AF(EL)	740	JUCABGL	ロジックIC SOP	03
IC801	XY549A00	IC	TC74HC4051AFEL	740		ロジックIC SOP	02
IC802	XW911A00	IC	LA7108M VIDEO AMP	740		アンプIC	04
IC821	XZ177A00	IC	LA7104M VIDEO AMP	740	UCRTKABGL	アンプIC SOP	04
IC821	X2904A00	IC	NJM2581M	740	UCRTKABGL	IC	
IC822	XY879A00	IC	TC74HC4053AF(EL)	740	UCRTKABGL	ロジックIC SOP	03
JK701	VS867300	CN	4P YKF51-5501	740		ミニDINコネクタ	03
JK702	V9273500	CN. DIN	2P YKF51-5605	740		DINコネクタ2P	
JK703	V9273500	CN. DIN	2P YKF51-5605	740		DINコネクタ2P	
JK704	V9273500	CN. DIN	2P YKF51-5605	740		DINコネクタ2P	
JK851	V3576300	JACK	2P	740	UCA	ミニジャック	03

\* New Parts \* 新規部品(マーク#の部品は、基板に含まれません)

RX-V740/RX-V740RDS/DSP-AX740  
RX-V640/RX-V640RDS/HTR-5660/DSP-AX640/DSP-AX640SE

## RX-V740/RX-V740RDS/DSP-AX740

## P.C.B. FUNCTION

Schm Ref.	PART NO.	Description	Remarks	Markets	部品名	Rank	
L601	VU889500	COIL	220uH	740	BG	円筒形固定コイル	01
L702	V2726100	COIL	33uH	740		コイル	01
PJ301	V8041300	JACK.PIN	4P	740		ピンジャック 4 P アース付	
PJ302	V7046700	JACK.PIN	MSP-244V1-01NI	740		ピンジャック 4 P	
PJ303	V7190400	JACK.PIN	6P	740		ピンジャック 6 P	
PJ501	V7046800	JACK.PIN	MSP-246V1-01NI	740		ピンジャック 6 P	
PJ502	V7046800	JACK.PIN	MSP-246V1-01NI	740		ピンジャック 6 P	
* PJ503	V8502200	JACK.PIN	MSP-242V3-01NI	740	UCA	ピンジャック 2 P	
PJ801	V7190000	JACK.PIN	2P	740		ピンジャック 2 P	
PJ802	V7190000	JACK.PIN	2P	740		ピンジャック 2 P	
PJ803	V7190000	JACK.PIN	2P	740		ピンジャック 2 P	
PJ804	V7189800	JACK.PIN	1P	740		ピンジャック 1 P	
PJ821	V8143900	JACK.PIN	SHIELD YKC21-4348	740	UCRTKABGL	ピンジャック 9 P	04
PN301	V9637500	PIN	L=70 #18	740		スタイルピン	
Q305	VD303700	TR	2SC3326 A,B	740		トランジスタ	01
Q306	VD303700	TR	2SC3326 A,B	740		トランジスタ	01
Q307	VD303700	TR	2SC3326 A,B	740		トランジスタ	01
Q308	VD303700	TR	2SC3326 A,B	740		トランジスタ	01
Q309	VD303700	TR	2SC3326 A,B	740		トランジスタ	01
Q310	VD303700	TR	2SC3326 A,B	740		トランジスタ	01
Q311	VP872700	TR	2SC4488 S,T	740		トランジスタ	01
Q312	VD303700	TR	2SC3326 A,B	740		トランジスタ	01
Q313	VD303700	TR	2SC3326 A,B	740		トランジスタ	01
Q501	VD303700	TR	2SC3326 A,B	740	UCA	トランジスタ	01
Q502	VD303700	TR	2SC3326 A,B	740	UCA	トランジスタ	01
Q503	VD303700	TR	2SC3326 A,B	740	UCA	トランジスタ	01
Q504	VD303700	TR	2SC3326 A,B	740	UCA	トランジスタ	01
Q601	VV556500	TR	2SA1037K Q,R,S	740		トランジスタ	01
Q602	VV556400	TR	2SC2412K Q,R,S	740		トランジスタ	01
Q603	VV556500	TR	2SA1037K Q,R,S	740		トランジスタ	01
Q604	VV556500	TR	2SA1037K Q,R,S	740		トランジスタ	01
Q605	VV556500	TR	2SA1037K Q,R,S	740	UCA	トランジスタ	01
Q606	VV556500	TR	2SA1037K Q,R,S	740		トランジスタ	01
Q607	VV556500	TR	2SA1037K Q,R,S	740		トランジスタ	01
Q608	iC181510	TR	2SC1815 Y	740		トランジスタ	01
Q609	iC174020	TR	2SC1740S R,S	740	BG	トランジスタ	01
Q701	iC174020	TR	2SC1740S R,S	740		トランジスタ	01
Q702	iC174020	TR	2SC1740S R,S	740		トランジスタ	01
Q703	iC287820	TR	2SC2878 A,B	740		トランジスタ	01
Q704	iC174020	TR	2SC1740S R,S	740		トランジスタ	01
Q705	iC174020	TR	2SC1740S R,S	740		トランジスタ	01
Q706	iC174020	TR	2SC1740S R,S	740		トランジスタ	01
Q707	iC053540	TR	2SC535 A,B,C	740		トランジスタ	01
Q708	iA101510	TR	2SA1015 Y	740		トランジスタ	01
Q709	iC224030	TR	2SC2240 GR,BL	740		トランジスタ	01
Q821	VV556400	TR	2SC2412K Q,R,S	740	UCRTKABGL	トランジスタ	01
R318	HV755100	R. CAR. FP	100Ω 1/4W	740		不燃化カーボン抵抗	01
R319	HV755100	R. CAR. FP	100Ω 1/4W	740		不燃化カーボン抵抗	01
R393	HV753220	R. CAR. FP	2.2Ω 1/4W	740		不燃化カーボン抵抗	01
R394	HV753220	R. CAR. FP	2.2Ω 1/4W	740		不燃化カーボン抵抗	01
R395	HV753470	R. CAR. FP	4.7Ω 1/4W	740		不燃化カーボン抵抗	01
R407	HV753220	R. CAR. FP	2.2Ω 1/4W	740		不燃化カーボン抵抗	01
R408	HV753220	R. CAR. FP	2.2Ω 1/4W	740		不燃化カーボン抵抗	01

\* New Parts \* 新規部品(マーク#の部品は、基板に含まれません)

**RX-V640/RX-V640RDS/HTR-5660/DSP-AX640**

**P.C.B. FUNCTION**

Schm Ref.	PART NO.	Description	Remarks	Markets	部 品 名	Rank	
R649	HV753220	R. CAR. FP	2.2Ω 1/4W	740		不燃化カーボン抵抗	01
R721	HV755270	R. CAR. FP	270Ω 1/4W	740		不燃化カーボン抵抗	01
R724	HV755470	R. CAR. FP	470Ω 1/4W	740		不燃化カーボン抵抗	01
R743	HV753100	R. CAR. FP	1Ω 1/4W	740		不燃化カーボン抵抗	01
R744	HV753100	R. CAR. FP	1Ω 1/4W	740		不燃化カーボン抵抗	01
R748	HV755470	R. CAR. FP	470Ω 1/4W	740		不燃化カーボン抵抗	01
R751	HV755470	R. CAR. FP	470Ω 1/4W	740		不燃化カーボン抵抗	01
R752	HV755470	R. CAR. FP	470Ω 1/4W	740		不燃化カーボン抵抗	01
R755	HV753220	R. CAR. FP	2.2Ω 1/4W	740		不燃化カーボン抵抗	01
R756	HV753220	R. CAR. FP	2.2Ω 1/4W	740		不燃化カーボン抵抗	01
R757	HV753470	R. CAR. FP	4.7Ω 1/4W	740		不燃化カーボン抵抗	01
R762	HV755470	R. CAR. FP	470Ω 1/4W	740		不燃化カーボン抵抗	01
R767	HV755470	R. CAR. FP	470Ω 1/4W	740		不燃化カーボン抵抗	01
R769	HV755470	R. CAR. FP	470Ω 1/4W	740		不燃化カーボン抵抗	01
R814	HV753100	R. CAR. FP	1Ω 1/4W	740		不燃化カーボン抵抗	01
R815	HV753100	R. CAR. FP	1Ω 1/4W	740		不燃化カーボン抵抗	01
R839	HV753100	R. CAR. FP	1Ω 1/4W	740		不燃化カーボン抵抗	01
R839	HV753100	R. CAR. FP	1Ω 1/4W	740	RTKL	不燃化カーボン抵抗	01
R840	HV753100	R. CAR. FP	1Ω 1/4W	740		不燃化カーボン抵抗	01
R840	HV753100	R. CAR. FP	1Ω 1/4W	740	RTKL	不燃化カーボン抵抗	01
ST601	V4040500	SCR. TERM	M3	740		スクリュー/ターミナル	01
* SW801	V3624300	SW. SLIDE	SS029-P022MJB-PA6	740	RTK	スライドSW	
T701	V9243200	COIL	K5-MT/035067	740	JUC	ビデオコイルパック	04
* T701	V9243300	COIL	K5-MT/036067	740	ABGL	ビデオコイルパック	
XL601	WA674700	RSNR. CE	16MHz CSTLS16M0X51	740		セラミック振動子	
XL602	V3930900	RSNR. CRY	4.332MHz	740	BG	水晶振動子	05
XL701	V9018400	RSNR. CRY	14.3181MHz	740	JUCRTK	水晶振動子	
* XL701	V9018500	RSNR. CRY	17.7344MHz	740	ABGL	水晶振動子	
* WA705600		FUNCTION		640,5660	J	P C B ファンクション	
* WA705700		FUNCTION		640,5660	UC	P C B ファンクション	
* WA705800		FUNCTION		640,5660	RTK	P C B ファンクション	
* WA705900		FUNCTION		640,5660	A	P C B ファンクション	
* WA706000		FUNCTION		640,5660	BG	P C B ファンクション	
* WA706000		FUNCTION		640,5660	G	P C B ファンクション	
* WA706100		FUNCTION		640,5660	L	P C B ファンクション	
CB301	V7826600	CN	16P TE TUC SERIES	640,5660		コネクタープラグ	01
CB302	V7828500	SOCKET	18P TE TUC SERIES	640,5660		コネクタースocket	
CB303	V7827500	SOCKET	8P SE TUC SERIES	640,5660		コネクタースocket	
CB304	VM973500	CN. BS. PIN	17P	640,5660		F F Cコネクタ	01
CB305	VP682300	CN. BS. PIN	8P	640,5660		F F Cコネクタ	01
CB306	VB858800	CN. BS. PIN	9P	640,5660		ベースピン	01
CB307	VF982300	CN. BS. PIN	17P	640,5660		F F Cコネクタ	01
CB501	V7828300	SOCKET	16P TE TUC SERIES	640,5660		コネクタースocket	01
CB502	V7826600	CN	16P TE TUC SERIES	640,5660		コネクタープラグ	01
CB503	V7828300	SOCKET	16P TE TUC SERIES	640,5660		コネクタースocket	01
CB601	VM929900	CN. BS. PIN	15P	640,5660		F F Cコネクタ	01
CB602	Vi879000	CN. BS. PIN	12P	640,5660		ケーブルホルダー	01
CB603	Vi878800	CN. BS. PIN	10P	640,5660		ケーブルホルダー	01
CB604	Vi878100	CN. BS. PIN	3P	640,5660	UCA	ケーブルホルダー	01
CB605	VQ047400	CN. BS. PIN	19P	640,5660		F F Cコネクタ	01

\* New Parts \* 新規部品(マーク#の部品は、基板に含まれません)

## RX-V640/RX-V640RDS/HTR-5660/DSP-AX640

## P.C.B. FUNCTION

Schm Ref.	PART NO.	Description	Remarks	Markets	部 品 名	Rank
CB606	VM973500	CN. BS. PIN	17P	640, 5660		01
CB607	V7825800	CN	8P TE TUC SERIES	640, 5660	UCRTKABGL	
CB608	V7825800	CN	8P TE TUC SERIES	640, 5660		
CB609	V7826000	CN	10P TE TUC SERIES	640, 5660		01
CB610	V7826200	CN	12P TE TUC SERIES	640, 5660		01
CB611	V7826800	CN	18P TE TUC SERIES	640, 5660		
CB612	V7825800	CN	8P TE TUC SERIES	640, 5660		
CB613	VQ044400	CN. BS. PIN	9P	640, 5660		01
CB701	V7827700	SOCKET	10P SE TUC SERIES	640, 5660		
CB702	V7827500	SOCKET	8P SE TUC SERIES	640, 5660		
CB801	V7827900	SOCKET	12P TE TUC SERIES	640, 5660		
CB821	V7827500	SOCKET	8P SE TUC SERIES	640, 5660	UCRTKABGL	
CB851	Vi878100	CN. BS. PIN	3P	640, 5660	UCA	01
C318	UT652100	C. PP	100pF 100V	640, 5660		01
C319	UT652100	C. PP	100pF 100V	640, 5660		01
C320	UA652100	C. MYLAR	100pF 50V	640, 5660		01
C321	UA652100	C. MYLAR	100pF 50V	640, 5660		01
C322	FG651470	C. CE	47pF 50V	640, 5660		01
C323	FG651470	C. CE	47pF 50V	640, 5660		01
C324	US135100	C. CE. CHP	0.1uF 16V	640, 5660		01
C325	US135100	C. CE. CHP	0.1uF 16V	640, 5660		01
C326	US135100	C. CE. CHP	0.1uF 16V	640, 5660		01
C327	US135100	C. CE. CHP	0.1uF 16V	640, 5660		01
C328	UR877100	C. EL	10uF 63V	640, 5660		01
C329	UR877100	C. EL	10uF 63V	640, 5660		01
C330	US064100	C. CE. M. CHP	0.01uF 50V	640, 5660		01
C331	US062220	C. CE. CHP	220pF 50V	640, 5660		01
C332	US062220	C. CE. CHP	220pF 50V	640, 5660		01
C333	US062220	C. CE. CHP	220pF 50V	640, 5660		01
C334	US062220	C. CE. CHP	220pF 50V	640, 5660		01
C335	US062220	C. CE. CHP	220pF 50V	640, 5660		01
C336	US062220	C. CE. CHP	220pF 50V	640, 5660		01
C337	US135100	C. CE. CHP	0.1uF 16V	640, 5660		01
C338	US135100	C. CE. CHP	0.1uF 16V	640, 5660		01
C341	UU137100	C. EL	10uF 16V	640, 5660		01
C342	UU137100	C. EL	10uF 16V	640, 5660		01
C343	UA654270	C. MYLAR	0.027uF 50V	640, 5660		01
C344	UA654270	C. MYLAR	0.027uF 50V	640, 5660		01
C345	UU137100	C. EL	10uF 16V	640, 5660		01
C346	UU137100	C. EL	10uF 16V	640, 5660		01
C347	UA654270	C. MYLAR	0.027uF 50V	640, 5660		01
C348	UA654270	C. MYLAR	0.027uF 50V	640, 5660		01
C349	UT652100	C. PP	100pF 100V	640, 5660		01
C350	UT652100	C. PP	100pF 100V	640, 5660		01
C351	V4578900	C. EL	47uF 35V	640, 5660		
C352	V4578900	C. EL	47uF 35V	640, 5660		
C353	UU166330	C. EL	3.3uF 50V	640, 5660		01
C354	UU166330	C. EL	3.3uF 50V	640, 5660		01
C355	VG287500	C. EL	47uF 50V	640, 5660		01
C356	VG287500	C. EL	47uF 50V	640, 5660		01
C357	UU137100	C. EL	10uF 16V	640, 5660		01
C358	UR877100	C. EL	10uF 63V	640, 5660		01
C359	UT652100	C. PP	100pF 100V	640, 5660		01

\* New Parts \* 新規部品(マーク#の部品は、基板に含まれません)

**RX-V640/RX-V640RDS/HTR-5660/DSP-AX640**

**P.C.B. FUNCTION**

Schm Ref.	PART NO.	Description	Remarks	Markets	部 品 名	Rank
C360	UU166330	C. EL 3.3uF 50V	640, 5660		ケミコン	01
C361	UR866330	C. EL 3.3uF 50V	640, 5660		ケミコン	01
C362	UR877100	C. EL 10uF 63V	640, 5660		ケミコン	01
C363	UR877100	C. EL 10uF 63V	640, 5660		ケミコン	01
C364	UR866330	C. EL 3.3uF 50V	640, 5660		ケミコン	01
C365	UR866330	C. EL 3.3uF 50V	640, 5660		ケミコン	01
C366	UR866470	C. EL 4.7uF 50V	640, 5660		ケミコン	01
C367	US135100	C. CE. CHP 0.1uF 16V	640, 5660		チップセラコン	01
C368	US135100	C. CE. CHP 0.1uF 16V	640, 5660		チップセラコン	01
C369	UR866330	C. EL 3.3uF 50V	640, 5660		ケミコン	01
C370	UU137100	C. EL 10uF 16V	640, 5660		ケミコン	01
C371	US135100	C. CE. CHP 0.1uF 16V	640, 5660		チップセラコン	01
C372	US135100	C. CE. CHP 0.1uF 16V	640, 5660		チップセラコン	01
C373	UU137100	C. EL 10uF 16V	640, 5660		ケミコン	01
C374	UR877100	C. EL 10uF 63V	640, 5660		ケミコン	01
C375	UR877100	C. EL 10uF 63V	640, 5660		ケミコン	01
C376	UU137100	C. EL 10uF 16V	640, 5660		ケミコン	01
C377	UR877100	C. EL 10uF 63V	640, 5660		ケミコン	01
C378	UR877100	C. EL 10uF 63V	640, 5660		ケミコン	01
C379	UR877100	C. EL 10uF 63V	640, 5660		ケミコン	01
C380	UU137100	C. EL 10uF 16V	640, 5660		ケミコン	01
C381	UR877100	C. EL 10uF 63V	640, 5660		ケミコン	01
C382	UU137100	C. EL 10uF 16V	640, 5660		ケミコン	01
C383	UR877100	C. EL 10uF 63V	640, 5660		ケミコン	01
C384	US135100	C. CE. CHP 0.1uF 16V	640, 5660		チップセラコン	01
C385	US135100	C. CE. CHP 0.1uF 16V	640, 5660		チップセラコン	01
C386	US135100	C. CE. CHP 0.1uF 16V	640, 5660		チップセラコン	01
C387	US135100	C. CE. CHP 0.1uF 16V	640, 5660		チップセラコン	01
C388	US135100	C. CE. CHP 0.1uF 16V	640, 5660		チップセラコン	01
C389	US135100	C. CE. CHP 0.1uF 16V	640, 5660		チップセラコン	01
C390	US135100	C. CE. CHP 0.1uF 16V	640, 5660		チップセラコン	01
C391	US135100	C. CE. CHP 0.1uF 16V	640, 5660		チップセラコン	01
C392	VG291200	C. EL 47uF 50V	640, 5660		ケミコン	01
C393	VG291200	C. EL 47uF 50V	640, 5660		ケミコン	01
C394	VG287200	C. EL 10uF 50V	640, 5660		ケミコン	01
C395	UR838100	C. EL 100uF 16V	640, 5660		ケミコン	01
C396	UU137220	C. EL 22uF 16V	640, 5660		ケミコン	01
C397	UR837220	C. EL 22uF 16V	640, 5660		ケミコン	01
C398	UR837220	C. EL 22uF 16V	640, 5660		ケミコン	01
C399	UR837220	C. EL 22uF 16V	640, 5660		ケミコン	01
C400	UA652100	C. MYLAR 100pF 50V	640, 5660		マイラーコン	01
C401	UA652100	C. MYLAR 100pF 50V	640, 5660		マイラーコン	01
C402	UA652100	C. MYLAR 100pF 50V	640, 5660		マイラーコン	01
C403	UT652100	C. PP 100pF 100V	640, 5660		PPコン	01
C404	UA652100	C. MYLAR 100pF 50V	640, 5660		マイラーコン	01
C405	UR877100	C. EL 10uF 63V	640, 5660		ケミコン	01
C406	UU137100	C. EL 10uF 16V	640, 5660		ケミコン	01
C407	UR877100	C. EL 10uF 63V	640, 5660		ケミコン	01
C408	UR877100	C. EL 10uF 63V	640, 5660		ケミコン	01
C409	UR877100	C. EL 10uF 63V	640, 5660		ケミコン	01
C410	UU137220	C. EL 22uF 16V	640, 5660		ケミコン	01
C411	UU137220	C. EL 22uF 16V	640, 5660		ケミコン	01
C412	UR837220	C. EL 22uF 16V	640, 5660		ケミコン	01

\* New Parts \* 新規部品(マーク#の部品は、基板に含まれません)



## RX-V640/RX-V640RDS/HTR-5660/DSP-AX640

## P.C.B. FUNCTION

Schm Ref.	PART NO.	Description	Remarks	Markets	部 品 名	Rank
C413	UR837220	C. EL 22uF 16V	640, 5660		ケミコン	01
C414	UR837220	C. EL 22uF 16V	640, 5660		ケミコン	01
C415	UR837220	C. EL 22uF 16V	640, 5660		ケミコン	01
C416	UT652100	C. PP 100pF 100V	640, 5660		PPコン	01
C417	UT652100	C. PP 100pF 100V	640, 5660		PPコン	01
C418	VG287500	C. EL 47uF 50V	640, 5660		ケミコン	01
C419	VG287500	C. EL 47uF 50V	640, 5660		ケミコン	01
C420	US135100	C. CE. CHP 0.1uF 16V	640, 5660		チップセラコン	01
C421	US135100	C. CE. CHP 0.1uF 16V	640, 5660		チップセラコン	01
C422	US135100	C. CE. CHP 0.1uF 16V	640, 5660		チップセラコン	01
C423	US135100	C. CE. CHP 0.1uF 16V	640, 5660		チップセラコン	01
C424	VG291200	C. EL 47uF 50V	640, 5660		ケミコン	01
C425	VG291200	C. EL 47uF 50V	640, 5660		ケミコン	01
C426	US062100	C. CE. M. CHP 100pF 50V	640, 5660		チップセラコン	01
C427	US135100	C. CE. CHP 0.1uF 16V	640, 5660		チップセラコン	01
C428	US064100	C. CE. M. CHP 0.01uF 50V	640, 5660		チップセラコン	01
C429	US064100	C. CE. M. CHP 0.01uF 50V	640, 5660		チップセラコン	01
C430	US064100	C. CE. M. CHP 0.01uF 50V	640, 5660		チップセラコン	01
C431	US064100	C. CE. M. CHP 0.01uF 50V	640, 5660		チップセラコン	01
C432	US064100	C. CE. M. CHP 0.01uF 50V	640, 5660		チップセラコン	01
C433	US064100	C. CE. M. CHP 0.01uF 50V	640, 5660		チップセラコン	01
C434	VG291200	C. EL 47uF 50V	640, 5660		ケミコン	01
C435	VG291200	C. EL 47uF 50V	640, 5660		ケミコン	01
C436	US064100	C. CE. M. CHP 0.01uF 50V	640, 5660		チップセラコン	01
C437	US064100	C. CE. M. CHP 0.01uF 50V	640, 5660		チップセラコン	01
C438	UA652100	C. MYLAR 100pF 50V	640, 5660		マイラーコン	01
C439	UA652100	C. MYLAR 100pF 50V	640, 5660		マイラーコン	01
C440	UA652100	C. MYLAR 100pF 50V	640, 5660		マイラーコン	01
C441	US061470	C. CE. M. CHP 47pF 50V	640, 5660		チップセラコン	01
C442	US062100	C. CE. M. CHP 100pF 50V	640, 5660		チップセラコン	01
C443	US135100	C. CE. CHP 0.1uF 16V	640, 5660		チップセラコン	01
C502	UA652100	C. MYLAR 100pF 50V	640, 5660		マイラーコン	01
C503	UA652100	C. MYLAR 100pF 50V	640, 5660		マイラーコン	01
C504	UA652100	C. MYLAR 100pF 50V	640, 5660		マイラーコン	01
C505	UA652100	C. MYLAR 100pF 50V	640, 5660		マイラーコン	01
C506	UA652100	C. MYLAR 100pF 50V	640, 5660		マイラーコン	01
C507	UA652100	C. MYLAR 100pF 50V	640, 5660		マイラーコン	01
C508	FG651470	C. CE 47pF 50V	640, 5660		セラコン	01
C509	FG651470	C. CE 47pF 50V	640, 5660		セラコン	01
C510	UA652100	C. MYLAR 100pF 50V	640, 5660		マイラーコン	01
C511	UA652100	C. MYLAR 100pF 50V	640, 5660		マイラーコン	01
C512	FG651470	C. CE 47pF 50V	640, 5660		セラコン	01
C513	FG651470	C. CE 47pF 50V	640, 5660		セラコン	01
C514	FG651470	C. CE 47pF 50V	640, 5660	UCA	セラコン	01
C515	FG651470	C. CE 47pF 50V	640, 5660	UCA	セラコン	01
C516	UR877100	C. EL 10uF 63V	640, 5660	UCA	ケミコン	01
C517	UR877100	C. EL 10uF 63V	640, 5660	UCA	ケミコン	01
C522	UR877100	C. EL 10uF 63V	640, 5660		ケミコン	01
C523	UR877100	C. EL 10uF 63V	640, 5660		ケミコン	01
C526	UR877100	C. EL 10uF 63V	640, 5660		ケミコン	01
C527	UR877100	C. EL 10uF 63V	640, 5660		ケミコン	01
C602	UR847470	C. EL 47uF 25V	640, 5660		ケミコン	01
C603	UR877100	C. EL 10uF 63V	640, 5660		ケミコン	01

\* New Parts \* 新規部品(マーク#の部品は、基板に含まれません)

**RX-V640/RX-V640RDS/HTR-5660/DSP-AX640**

**P.C.B. FUNCTION**

Schm Ref.	PART NO.	Description	Remarks	Markets	部 品 名	Rank
C604	UR865100	C. EL 0.1uF 50V	640, 5660		ケミコン	01
C605	UR865220	C. EL 0.22uF 50V	640, 5660		ケミコン	01
C606	UR865100	C. EL 0.1uF 50V	640, 5660		ケミコン	01
C607	WB165500	C. EL 0.33F 5.5V	640, 5660		ゴールドキャパシタ	
C608	UR818220	C. EL 220uF 6.3V	640, 5660		ケミコン	01
C609	UR819100	C. EL 1000uF 6.3V	640, 5660		ケミコン	01
C610	UR819100	C. EL 1000uF 6.3V	640, 5660		ケミコン	01
C611	US135100	C. CE. CHP 0.1uF 16V	640, 5660		チップセラコン	01
C612	US135100	C. CE. CHP 0.1uF 16V	640, 5660		チップセラコン	01
C613	US135100	C. CE. CHP 0.1uF 16V	640, 5660		チップセラコン	01
C614	US135100	C. CE. CHP 0.1uF 16V	640, 5660		チップセラコン	01
C615	US062100	C. CE. M. CHP 100pF 50V	640, 5660		チップセラコン	01
C616	UR866220	C. EL 2.2uF 50V	640, 5660		ケミコン	01
C618	UR866220	C. EL 2.2uF 50V	640, 5660		ケミコン	01
C619	UR866220	C. EL 2.2uF 50V	640, 5660	UCA	ケミコン	01
C620	UR866220	C. EL 2.2uF 50V	640, 5660		ケミコン	01
C621	UR866220	C. EL 2.2uF 50V	640, 5660		ケミコン	01
C622	US064100	C. CE. M. CHP 0.01uF 50V	640, 5660		チップセラコン	01
C623	US062100	C. CE. M. CHP 100pF 50V	640, 5660		チップセラコン	01
C624	US063100	C. CE. M. CHP 1000pF 50V	640, 5660		チップセラコン	01
C625	US062100	C. CE. M. CHP 100pF 50V	640, 5660		チップセラコン	01
C626	US062100	C. CE. M. CHP 100pF 50V	640, 5660		チップセラコン	01
C627	US062100	C. CE. M. CHP 100pF 50V	640, 5660		チップセラコン	01
C628	UR847470	C. EL 47uF 25V	640, 5660		ケミコン	01
C629	UR847470	C. EL 47uF 25V	640, 5660		ケミコン	01
C630	UR877100	C. EL 10uF 63V	640, 5660		ケミコン	01
C631	US135100	C. CE. CHP 0.1uF 16V	640, 5660	BG	チップセラコン	01
C632	US062330	C. CE. M. CHP 330pF 50V	640, 5660	BG	チップセラコン	01
C633	US062330	C. CE. M. CHP 330pF 50V	640, 5660	BG	チップセラコン	01
C634	UR847470	C. EL 47uF 25V	640, 5660	BG	ケミコン	01
C635	UR847470	C. EL 47uF 25V	640, 5660	BG	ケミコン	01
C636	US062560	C. CE. CHP 560pF 50V	640, 5660	BG	チップセラ (S L)	01
C637	VA761100	C. CE 27pF 50V	640, 5660	BG	セラコン	01
C638	US135100	C. CE. CHP 0.1uF 16V	640, 5660	BG	チップセラコン	01
C639	VA761100	C. CE 27pF 50V	640, 5660	BG	セラコン	01
C640	UR847470	C. EL 47uF 25V	640, 5660	BG	ケミコン	01
C641	UR858100	C. EL 100uF 35V	640, 5660		ケミコン	01
C701	US062100	C. CE. M. CHP 100pF 50V	640, 5660		チップセラコン	01
C702	US062100	C. CE. M. CHP 100pF 50V	640, 5660		チップセラコン	01
C703	US062100	C. CE. M. CHP 100pF 50V	640, 5660		チップセラコン	01
C704	US062100	C. CE. M. CHP 100pF 50V	640, 5660		チップセラコン	01
C705	US062100	C. CE. M. CHP 100pF 50V	640, 5660		チップセラコン	01
C706	US062100	C. CE. M. CHP 100pF 50V	640, 5660		チップセラコン	01
C707	US135100	C. CE. CHP 0.1uF 16V	640, 5660		チップセラコン	01
C708	US135100	C. CE. CHP 0.1uF 16V	640, 5660		チップセラコン	01
C709	US135100	C. CE. CHP 0.1uF 16V	640, 5660		チップセラコン	01
C710	UR829100	C. EL 1000uF 10V	640, 5660		ケミコン	01
C711	UR838100	C. EL 100uF 16V	640, 5660		ケミコン	01
C712	UR838100	C. EL 100uF 16V	640, 5660		ケミコン	01
C713	US135100	C. CE. CHP 0.1uF 16V	640, 5660		チップセラコン	01
C714	US135100	C. CE. CHP 0.1uF 16V	640, 5660		チップセラコン	01
C715	US135100	C. CE. CHP 0.1uF 16V	640, 5660		チップセラコン	01
C716	US135100	C. CE. CHP 0.1uF 16V	640, 5660		チップセラコン	01

\* New Parts \* 新規部品(マーク#の部品は、基板に含まれません)

## RX-V640/RX-V640RDS/HTR-5660/DSP-AX640

## P.C.B. FUNCTION

Schm Ref.	PART NO.	Description	Remarks	Markets	部 品 名	Rank
C717	UR866470	C. EL 4.7uF 50V	640, 5660		ケミコン	01
C718	US062100	C. CE. M. CHP 100pF 50V	640, 5660		チップセラコン	01
C719	US135100	C. CE. CHP 0.1uF 16V	640, 5660		チップセラコン	01
C720	UR847470	C. EL 47uF 25V	640, 5660		ケミコン	01
C721	UR838100	C. EL 100uF 16V	640, 5660		ケミコン	01
C722	UR838100	C. EL 100uF 16V	640, 5660		ケミコン	01
C723	UR838100	C. EL 100uF 16V	640, 5660		ケミコン	01
C724	UR838100	C. EL 100uF 16V	640, 5660		ケミコン	01
C725	US062470	C. CE. M. CHP 470pF 50V	640, 5660		チップセラコン	01
C726	UR838100	C. EL 100uF 16V	640, 5660		ケミコン	01
C728	US064100	C. CE. M. CHP 0.01uF 50V	640, 5660		チップセラコン	01
C729	UR877100	C. EL 10uF 63V	640, 5660		ケミコン	01
C732	UR847470	C. EL 47uF 25V	640, 5660		ケミコン	01
C735	US062120	C. CE. CHP 120pF 50V	640, 5660		チップセラコン	01
C738	US062220	C. CE. CHP 220pF 50V	640, 5660		チップセラコン	01
C741	UR866470	C. EL 4.7uF 50V	640, 5660		ケミコン	01
C744	UR877100	C. EL 10uF 63V	640, 5660		ケミコン	01
C746	UR838100	C. EL 100uF 16V	640, 5660		ケミコン	01
C747	UR818330	C. EL 330uF 6.3V	640, 5660		ケミコン	01
C748	US135100	C. CE. CHP 0.1uF 16V	640, 5660		チップセラコン	01
C801	US062100	C. CE. M. CHP 100pF 50V	640, 5660		チップセラコン	01
C802	US062100	C. CE. M. CHP 100pF 50V	640, 5660		チップセラコン	01
C803	US062100	C. CE. M. CHP 100pF 50V	640, 5660		チップセラコン	01
C804	UR838100	C. EL 100uF 16V	640, 5660		ケミコン	01
C805	UR838100	C. EL 100uF 16V	640, 5660		ケミコン	01
C806	US135100	C. CE. CHP 0.1uF 16V	640, 5660		チップセラコン	01
C807	US135100	C. CE. CHP 0.1uF 16V	640, 5660		チップセラコン	01
C808	UR847470	C. EL 47uF 25V	640, 5660		ケミコン	01
C809	UR838100	C. EL 100uF 16V	640, 5660		ケミコン	01
C810	UR838100	C. EL 100uF 16V	640, 5660		ケミコン	01
C811	US135100	C. CE. CHP 0.1uF 16V	640, 5660		チップセラコン	01
C812	US135100	C. CE. CHP 0.1uF 16V	640, 5660		チップセラコン	01
C813	UR847470	C. EL 47uF 25V	640, 5660		ケミコン	01
C821	US060800	C. CE. M. CHP 8pF 50V	640, 5660	UCRTKABGL	チップセラコン	01
C822	US060800	C. CE. M. CHP 8pF 50V	640, 5660	UCRTKABGL	チップセラコン	01
C823	US060800	C. CE. M. CHP 8pF 50V	640, 5660	UCRTKABGL	チップセラコン	01
C824	US135100	C. CE. CHP 0.1uF 16V	640, 5660	UCRTKABGL	チップセラコン	01
C825	US135100	C. CE. CHP 0.1uF 16V	640, 5660	UCRTKABGL	チップセラコン	01
C826	UR838100	C. EL 100uF 16V	640, 5660	UCRTKABGL	ケミコン	01
C827	UR838100	C. EL 100uF 16V	640, 5660	UCRTKABGL	ケミコン	01
C828	UR877100	C. EL 10uF 63V	640, 5660	UCRTKABGL	ケミコン	01
C829	UR877100	C. EL 10uF 63V	640, 5660	UCRTKABGL	ケミコン	01
C830	UR877100	C. EL 10uF 63V	640, 5660	UCRTKABGL	ケミコン	01
C851	US064100	C. CE. M. CHP 0.01uF 50V	640, 5660	UCA	チップセラコン	01
C852	US064100	C. CE. M. CHP 0.01uF 50V	640, 5660	UCA	チップセラコン	01
C853	US064100	C. CE. M. CHP 0.01uF 50V	640, 5660	UCA	チップセラコン	01
D301	VT332900	DIODE 1SS355	640, 5660		ダイオード	01
D302	VU993000	DIODE. ZENR MA8056-M 5.6V	640, 5660		ツェナーダイオード	01
D303	VU993000	DIODE. ZENR MA8056-M 5.6V	640, 5660		ツェナーダイオード	01
D304	VU993000	DIODE. ZENR MA8056-M 5.6V	640, 5660		ツェナーダイオード	01
D315	VU993000	DIODE. ZENR MA8056-M 5.6V	640, 5660		ツェナーダイオード	01
D316	VU993000	DIODE. ZENR MA8056-M 5.6V	640, 5660		ツェナーダイオード	01
D603	VT332900	DIODE 1SS355	640, 5660		ダイオード	01

\* New Parts \* 新規部品(マーク#の部品は、基板に含まれません)

**RX-V640/RX-V640RDS/HTR-5660/DSP-AX640**

**P.C.B. FUNCTION**

Schm Ref.	PART NO.	Description	Remarks	Markets	部品名	Rank	
D604	VU993400	DIODE. ZENR	MA8062-M 6.2V	640, 5660	RTK	ツェナーダイオード	01
D604	VU993800	DIODE. ZENR	MA8068-M 6.8V	640, 5660	JUCABGL	ツェナーダイオード	01
D605	VT332900	DIODE	1SS355	640, 5660		ダイオード	01
D606	VT332900	DIODE	1SS355	640, 5660		ダイオード	01
D607	VT332900	DIODE	1SS355	640, 5660		ダイオード	01
D608	VT332900	DIODE	1SS355	640, 5660		ダイオード	01
D609	VU992600	DIODE. ZENR	MA8051-M 5.1V	640, 5660		ツェナーダイオード	01
D610	VU992600	DIODE. ZENR	MA8051-M 5.1V	640, 5660		ツェナーダイオード	01
D611	VU992600	DIODE. ZENR	MA8051-M 5.1V	640, 5660		ツェナーダイオード	01
D612	VU993000	DIODE. ZENR	MA8056-M 5.6V	640, 5660		ツェナーダイオード	01
D613	VU992600	DIODE. ZENR	MA8051-M 5.1V	640, 5660		ツェナーダイオード	01
D701	VT332900	DIODE	1SS355	640, 5660	JUCABGL	ダイオード	01
D702	VT332900	DIODE	1SS355	640, 5660		ダイオード	01
D703	VT332900	DIODE	1SS355	640, 5660		ダイオード	01
D704	VT332900	DIODE	1SS355	640, 5660		ダイオード	01
D705	VT332900	DIODE	1SS355	640, 5660		ダイオード	01
D706	VT332900	DIODE	1SS355	640, 5660		ダイオード	01
D707	VT332900	DIODE	1SS355	640, 5660		ダイオード	01
D708	VT332900	DIODE	1SS355	640, 5660		ダイオード	01
D709	VT332900	DIODE	1SS355	640, 5660		ダイオード	01
D851	VT332900	DIODE	1SS355	640, 5660	UCA	ダイオード	01
IC301	X3547A00	IC	BD3841FS	640, 5660		IC	
IC302	XS790A00	IC	TC74HC4052AF MPX	640, 5660		ロジックIC	02
IC303	XS790A00	IC	TC74HC4052AF MPX	640, 5660		ロジックIC	02
IC304	XY879A00	IC	TC74HC4053AF(EL)	640, 5660		ロジックIC SOP	03
IC305	XY879A00	IC	TC74HC4053AF(EL)	640, 5660		ロジックIC SOP	03
IC306	XZ545A00	IC	YAC520-EE2	640, 5660		IC	04
IC307	XZ545A00	IC	YAC520-EE2	640, 5660		IC	04
IC308	XZ545A00	IC	YAC520-EE2	640, 5660		IC	04
IC309	XZ545A00	IC	YAC520-EE2	640, 5660		IC	04
IC310	XZ736A00	IC	TC74HC164AF-EL	640, 5660		ロジックIC	04
IC312	X3505A00	IC	NJM2068MD-TE2	640, 5660		アンプIC SOP	02
IC313	X3505A00	IC	NJM2068MD-TE2	640, 5660		アンプIC SOP	02
IC314	XF291A00	IC	uPC4570G2	640, 5660		IC	03
IC315	X3505A00	IC	NJM2068MD-TE2	640, 5660		アンプIC SOP	02
IC316	XF291A00	IC	uPC4570G2	640, 5660		IC	03
IC317	XF291A00	IC	uPC4570G2	640, 5660		IC	03
IC318	XF291A00	IC	uPC4570G2	640, 5660		IC	03
IC319	XY879A00	IC	TC74HC4053AF(EL)	640, 5660		ロジックIC SOP	03
IC320	XY879A00	IC	TC74HC4053AF(EL)	640, 5660		ロジックIC SOP	03
* IC601	X3604B00	IC. CPU	M3062VMGP-062FP	640, 5660		IC CPU	
IC602	XJ757A00	IC	NJM78L05A-T3	640, 5660		IC	01
IC603	XY534A00	IC	LC72722	640, 5660	BG	RDSデコーダIC	06
IC701	XY549A00	IC	TC74HC4051AFEL	640, 5660		ロジックIC SOP	02
IC702	XY549A00	IC	TC74HC4051AFEL	640, 5660		ロジックIC SOP	02
IC703	XY443A00	IC	LA7109 6CH	640, 5660		アンプIC SOP	05
IC705	XW939A00	IC	TK15420M VIDEO AMP	640, 5660		アンプIC SOP	03
IC706	XW939A00	IC	TK15420M VIDEO AMP	640, 5660	JUCABGL	アンプIC SOP	03
IC707	XY879A00	IC	TC74HC4053AF(EL)	640, 5660		ロジックIC SOP	03
IC708	XD598A00	IC	TC74HCU04AFEL INV	640, 5660		ロジックIC	01
IC709	XY879A00	IC	TC74HC4053AF(EL)	640, 5660	JUCABGL	ロジックIC SOP	03
IC801	XY549A00	IC	TC74HC4051AFEL	640, 5660		ロジックIC SOP	02
IC802	XW911A00	IC	LA7108M VIDEO AMP	640, 5660		アンプIC	04

\* New Parts \* 新規部品(マーク#の部品は、基板に含まれません)

RX-V740/RX-V740RDS/DSP-AX740  
RX-V640/RX-V640RDS/HTR-5660/DSP-AX640/DSP-AX640SE

## RX-V640/RX-V640RDS/HTR-5660/DSP-AX640

## P.C.B. FUNCTION

Schm Ref.	PART NO.	Description	Remarks	Markets	部 品 名	Rank		
IC821	XZ177A00	IC	LA7104M VIDEO AMP	640, 5660	UCRTKABGL	アンプ I C S O P	04	
IC821	X2904A00	IC	NJM2581M	640, 5660	UCRTKABGL	I C		
IC822	XY879A00	IC	TC74HC4053AF (EL)	640, 5660	UCRTKABGL	ロジック I C S O P	03	
JK701	VS867300	CN	4P YKF51-5501	640, 5660		ミニ D I N コネクタ	03	
JK702	V9273500	CN. DIN	2P YKF51-5605	640, 5660		D I N コネクタ 2 P		
JK703	V9273500	CN. DIN	2P YKF51-5605	640, 5660		D I N コネクタ 2 P		
JK704	V9273500	CN. DIN	2P YKF51-5605	640, 5660		D I N コネクタ 2 P		
JK851	V3576300	JACK	2P	640, 5660	UCA	ミニ ジャック	03	
L601	VU889500	COIL	220uH	640, 5660	BG	円筒形固定コイル	01	
*	PJ301	V8502200	JACK. PIN	MSP-242V3-01N1	640, 5660		ピンジャック 2 P	
	PJ302	V7046700	JACK. PIN	MSP-244V1-01N1	640, 5660		ピンジャック 4 P	
	PJ303	V7190400	JACK. PIN	6P	640, 5660		ピンジャック 6 P	
	PJ501	V7046800	JACK. PIN	MSP-246V1-01N1	640, 5660		ピンジャック 6 P	
	PJ502	V7046800	JACK. PIN	MSP-246V1-01N1	640, 5660		ピンジャック 6 P	
*	PJ503	V8502200	JACK. PIN	MSP-242V3-01N1	640, 5660	UCA	ピンジャック 2 P	
	PJ801	V7190000	JACK. PIN	2P	640, 5660		ピンジャック 2 P	
	PJ802	V7190000	JACK. PIN	2P	640, 5660		ピンジャック 2 P	
	PJ803	V7190000	JACK. PIN	2P	640, 5660		ピンジャック 2 P	
	PJ804	V7189800	JACK. PIN	1P	640, 5660		ピンジャック 1 P	
	PJ821	V8143900	JACK PIN	SHIELD YKC21-4348	640, 5660		ピンジャック 9 P	04
	PJ821	V8143900	JACK PIN	SHIELD YKC21-4348	640, 5660	UCRTKABGL	ピンジャック 9 P	04
	PN301	V9637500	PIN	L=70 #18	640, 5660		スタイルピン	
	Q305	VD303700	TR	2SC3326 A, B	640, 5660		トランジスタ	01
	Q306	VD303700	TR	2SC3326 A, B	640, 5660		トランジスタ	01
	Q307	VD303700	TR	2SC3326 A, B	640, 5660		トランジスタ	01
	Q308	VD303700	TR	2SC3326 A, B	640, 5660		トランジスタ	01
	Q309	VD303700	TR	2SC3326 A, B	640, 5660		トランジスタ	01
	Q310	VD303700	TR	2SC3326 A, B	640, 5660		トランジスタ	01
	Q311	VP872700	TR	2SC4488 S, T	640, 5660		トランジスタ	01
	Q312	VD303700	TR	2SC3326 A, B	640, 5660		トランジスタ	01
	Q313	VD303700	TR	2SC3326 A, B	640, 5660		トランジスタ	01
	Q501	VD303700	TR	2SC3326 A, B	640, 5660	UCA	トランジスタ	01
	Q502	VD303700	TR	2SC3326 A, B	640, 5660	UCA	トランジスタ	01
	Q503	VD303700	TR	2SC3326 A, B	640, 5660	UCA	トランジスタ	01
	Q504	VD303700	TR	2SC3326 A, B	640, 5660	UCA	トランジスタ	01
	Q601	VV556500	TR	2SA1037K Q, R, S	640, 5660		トランジスタ	01
	Q602	VV556400	TR	2SC2412K Q, R, S	640, 5660		トランジスタ	01
	Q603	VV556500	TR	2SA1037K Q, R, S	640, 5660		トランジスタ	01
	Q604	VV556500	TR	2SA1037K Q, R, S	640, 5660		トランジスタ	01
	Q605	VV556500	TR	2SA1037K Q, R, S	640, 5660	UCA	トランジスタ	01
	Q606	VV556500	TR	2SA1037K Q, R, S	640, 5660		トランジスタ	01
	Q607	VV556500	TR	2SA1037K Q, R, S	640, 5660		トランジスタ	01
	Q608	iC181510	TR	2SC1815 Y	640, 5660		トランジスタ	01
	Q609	iC174020	TR	2SC1740S R, S	640, 5660	BG	トランジスタ	01
	Q609	iC174020	TR	2SC1740S R, S	640, 5660		トランジスタ	01
	Q701	iC174020	TR	2SC1740S R, S	640, 5660		トランジスタ	01
	Q702	iC174020	TR	2SC1740S R, S	640, 5660		トランジスタ	01
	Q703	iC287820	TR	2SC2878 A, B	640, 5660		トランジスタ	01
	Q704	iC174020	TR	2SC1740S R, S	640, 5660		トランジスタ	01
	Q705	iC174020	TR	2SC1740S R, S	640, 5660		トランジスタ	01
	Q706	iC174020	TR	2SC1740S R, S	640, 5660		トランジスタ	01
	Q707	iC053540	TR	2SC535 A, B, C	640, 5660		トランジスタ	01
	Q708	iA101510	TR	2SA1015 Y	640, 5660		トランジスタ	01

\* New Parts \* 新規部品(マーク#の部品は、基板に含まれません)



**DSP-AX640SE**

**P.C.B. FUNCTION**

Schm Ref.	PART NO.	Description	Remarks	Markets	部 品 名	Rank	
Q709	iC224030	TR	2SC2240 GR, BL	640, 5660		トランジスタ	01
Q821	VV556400	TR	2SC2412K Q, R, S	640, 5660		トランジスタ	01
Q821	VV556400	TR	2SC2412K Q, R, S	640, 5660	UCRTKABGL	トランジスタ	01
R393	HV753220	R. CAR. FP	2.2Ω 1/4W	640, 5660		不燃化カーボン抵抗	01
R394	HV753220	R. CAR. FP	2.2Ω 1/4W	640, 5660		不燃化カーボン抵抗	01
R395	HV753470	R. CAR. FP	4.7Ω 1/4W	640, 5660		不燃化カーボン抵抗	01
R407	HV753220	R. CAR. FP	2.2Ω 1/4W	640, 5660		不燃化カーボン抵抗	01
R408	HV753220	R. CAR. FP	2.2Ω 1/4W	640, 5660		不燃化カーボン抵抗	01
R649	HV753220	R. CAR. FP	2.2Ω 1/4W	640, 5660		不燃化カーボン抵抗	01
R721	HV755270	R. CAR. FP	270Ω 1/4W	640, 5660		不燃化カーボン抵抗	01
R724	HV755470	R. CAR. FP	470Ω 1/4W	640, 5660		不燃化カーボン抵抗	01
R743	HV753100	R. CAR. FP	1Ω 1/4W	640, 5660		不燃化カーボン抵抗	01
R744	HV753100	R. CAR. FP	1Ω 1/4W	640, 5660		不燃化カーボン抵抗	01
R748	HV755470	R. CAR. FP	470Ω 1/4W	640, 5660		不燃化カーボン抵抗	01
R751	HV755470	R. CAR. FP	470Ω 1/4W	640, 5660		不燃化カーボン抵抗	01
R752	HV755470	R. CAR. FP	470Ω 1/4W	640, 5660		不燃化カーボン抵抗	01
R757	HV753470	R. CAR. FP	4.7Ω 1/4W	640, 5660		不燃化カーボン抵抗	01
R762	HV755470	R. CAR. FP	470Ω 1/4W	640, 5660		不燃化カーボン抵抗	01
R767	HV755470	R. CAR. FP	470Ω 1/4W	640, 5660		不燃化カーボン抵抗	01
R769	HV755470	R. CAR. FP	470Ω 1/4W	640, 5660		不燃化カーボン抵抗	01
R814	HV753100	R. CAR. FP	1Ω 1/4W	640, 5660		不燃化カーボン抵抗	01
R815	HV753100	R. CAR. FP	1Ω 1/4W	640, 5660		不燃化カーボン抵抗	01
R839	HV753100	R. CAR. FP	1Ω 1/4W	640, 5660	UCRTKABGL	不燃化カーボン抵抗	01
R840	HV753100	R. CAR. FP	1Ω 1/4W	640, 5660	UCRTKABGL	不燃化カーボン抵抗	01
ST601	V4040500	SCR. TERM	M3	640, 5660		スクリュー/ターミナル	01
* SW801	V3624300	SW. SLIDE	SS029-P022MJB-PA6	640, 5660	RTK	スライドSW	
T701	V9243200	COIL	K5-MT/035067	640, 5660	JUC	ビデオコイルパック	04
* T701	V9243300	COIL	K5-MT/036067	640, 5660	ABGL	ビデオコイルパック	
XL601	WA674700	RSNR. CE	16MHz CSTLS16M0X51	640, 5660		セラミック振動子	
XL602	V3930900	RSNR. CRY	4.332MHz	640, 5660	BG	水晶振動子	05
* WA706200		P. C. B.	FUNCTION	AX640SE	BG	P C B ファンクション	
CB301	V7826600	CN	16P TE TUC SERIES	AX640SE		コネクタープラグ	01
CB302	V7828500	SOCKET	18P TE TUC SERIES	AX640SE		コネクタースocket	
CB303	V7827500	SOCKET	8P SE TUC SERIES	AX640SE		コネクタースocket	
CB304	VM973500	CN. BS. PIN	17P	AX640SE		F F Cコネクタ	01
CB305	VP682300	CN. BS. PIN	8P	AX640SE		F F Cコネクタ	01
CB306	VB858800	CN. BS. PIN	9P	AX640SE		ベースピン	01
CB307	VF982300	CN. BS. PIN	17P	AX640SE		F F Cコネクタ	01
CB501	V7828300	SOCKET	16P TE TUC SERIES	AX640SE		コネクタースocket	01
CB502	V7826600	CN	16P TE TUC SERIES	AX640SE		コネクタープラグ	01
CB503	V7828300	SOCKET	16P TE TUC SERIES	AX640SE		コネクタースocket	01
CB602	Vi879000	CN. BS. PIN	12P	AX640SE		ケーブルホルダー	01
CB603	Vi878800	CN. BS. PIN	10P	AX640SE		ケーブルホルダー	01
CB605	VQ047400	CN. BS. PIN	19P	AX640SE		F F Cコネクタ	01
CB606	VM973500	CN. BS. PIN	17P	AX640SE		F F Cコネクタ	01
CB607	V7825800	CN	8P TE TUC SERIES	AX640SE		コネクタープラグ	
CB608	V7825800	CN	8P TE TUC SERIES	AX640SE		コネクタープラグ	
CB609	V7826000	CN	10P TE TUC SERIES	AX640SE		コネクタープラグ	01
CB610	V7826200	CN	12P TE TUC SERIES	AX640SE		コネクタープラグ	01
CB611	V7826800	CN	18P TE TUC SERIES	AX640SE		コネクタープラグ	

\* New Parts \* 新規部品(マーク#の部品は、基板に含まれません)

## DSP-AX640SE

## P.C.B. FUNCTION

Schm Ref.	PART NO.	Description	Remarks	Markets	部 品 名	Rank
CB612	V7825800	CN	8P TE TUC SERIES	AX640SE	コネクタプラグ	
CB613	VQ044400	CN. BS. PIN	9P	AX640SE	FFCコネクタ	01
CB701	V7827700	SOCKET	10P SE TUC SERIES	AX640SE	コネクタソケット	
CB702	V7827500	SOCKET	8P SE TUC SERIES	AX640SE	コネクタソケット	
CB801	V7827900	SOCKET	12P TE TUC SERIES	AX640SE	コネクタソケット	
CB821	V7827500	SOCKET	8P SE TUC SERIES	AX640SE	コネクタソケット	
C304	UA652100	C. MYLAR	100pF 50V	AX640SE	マイラーコン	01
C305	UA652100	C. MYLAR	100pF 50V	AX640SE	マイラーコン	01
C318	UT652100	C. PP	100pF 100V	AX640SE	PPコン	01
C319	UT652100	C. PP	100pF 100V	AX640SE	PPコン	01
C320	UA652100	C. MYLAR	100pF 50V	AX640SE	マイラーコン	01
C321	UA652100	C. MYLAR	100pF 50V	AX640SE	マイラーコン	01
C322	FG651470	C. CE	47pF 50V	AX640SE	セラコン	01
C323	FG651470	C. CE	47pF 50V	AX640SE	セラコン	01
C324	US135100	C. CE. CHP	0.1uF 16V	AX640SE	チップセラコン	01
C325	US135100	C. CE. CHP	0.1uF 16V	AX640SE	チップセラコン	01
C326	US135100	C. CE. CHP	0.1uF 16V	AX640SE	チップセラコン	01
C327	US135100	C. CE. CHP	0.1uF 16V	AX640SE	チップセラコン	01
C328	UR877100	C. EL	10uF 63V	AX640SE	ケミコン	01
C329	UR877100	C. EL	10uF 63V	AX640SE	ケミコン	01
C330	US064100	C. CE. M. CHP	0.01uF 50V	AX640SE	チップセラコン	01
C331	US062220	C. CE. CHP	220pF 50V	AX640SE	チップセラコン	01
C332	US062220	C. CE. CHP	220pF 50V	AX640SE	チップセラコン	01
C333	US062220	C. CE. CHP	220pF 50V	AX640SE	チップセラコン	01
C334	US062220	C. CE. CHP	220pF 50V	AX640SE	チップセラコン	01
C335	US062220	C. CE. CHP	220pF 50V	AX640SE	チップセラコン	01
C336	US062220	C. CE. CHP	220pF 50V	AX640SE	チップセラコン	01
C337	US135100	C. CE. CHP	0.1uF 16V	AX640SE	チップセラコン	01
C338	US135100	C. CE. CHP	0.1uF 16V	AX640SE	チップセラコン	01
C341	UU137100	C. EL	10uF 16V	AX640SE	ケミコン	01
C342	UU137100	C. EL	10uF 16V	AX640SE	ケミコン	01
C343	UA654270	C. MYLAR	0.027uF 50V	AX640SE	マイラーコン	01
C344	UA654270	C. MYLAR	0.027uF 50V	AX640SE	マイラーコン	01
C345	UU137100	C. EL	10uF 16V	AX640SE	ケミコン	01
C346	UU137100	C. EL	10uF 16V	AX640SE	ケミコン	01
C347	UA654270	C. MYLAR	0.027uF 50V	AX640SE	マイラーコン	01
C348	UA654270	C. MYLAR	0.027uF 50V	AX640SE	マイラーコン	01
C349	UT652100	C. PP	100pF 100V	AX640SE	PPコン	01
C350	UT652100	C. PP	100pF 100V	AX640SE	PPコン	01
C351	V4578900	C. EL	47uF 35V	AX640SE	ケミコン	
C352	V4578900	C. EL	47uF 35V	AX640SE	ケミコン	
C353	UU166330	C. EL	3.3uF 50V	AX640SE	ケミコン	01
C354	UU166330	C. EL	3.3uF 50V	AX640SE	ケミコン	01
C355	VG287500	C. EL	47uF 50V	AX640SE	ケミコン	01
C356	VG287500	C. EL	47uF 50V	AX640SE	ケミコン	01
C357	UU137100	C. EL	10uF 16V	AX640SE	ケミコン	01
C358	UR877100	C. EL	10uF 63V	AX640SE	ケミコン	01
C359	UT652100	C. PP	100pF 100V	AX640SE	PPコン	01
C360	UU166330	C. EL	3.3uF 50V	AX640SE	ケミコン	01
C361	UR866330	C. EL	3.3uF 50V	AX640SE	ケミコン	01
C362	UR877100	C. EL	10uF 63V	AX640SE	ケミコン	01
C363	UR877100	C. EL	10uF 63V	AX640SE	ケミコン	01
C364	UR866330	C. EL	3.3uF 50V	AX640SE	ケミコン	01

\* New Parts \* 新規部品(マーク#の部品は、基板に含まれません)

**DSP-AX640SE**

**P.C.B. FUNCTION**

Schm Ref.	PART NO.	Description	Remarks	Markets	部 品 名	Rank
C365	UR866330	C. EL	3.3uF 50V	AX640SE	ケミコン	01
C366	UR866470	C. EL	4.7uF 50V	AX640SE	ケミコン	01
C367	US135100	C. CE. CHP	0.1uF 16V	AX640SE	チップセラコン	01
C368	US135100	C. CE. CHP	0.1uF 16V	AX640SE	チップセラコン	01
C369	UR866330	C. EL	3.3uF 50V	AX640SE	ケミコン	01
C370	UU137100	C. EL	10uF 16V	AX640SE	ケミコン	01
C371	US135100	C. CE. CHP	0.1uF 16V	AX640SE	チップセラコン	01
C372	US135100	C. CE. CHP	0.1uF 16V	AX640SE	チップセラコン	01
C373	UU137100	C. EL	10uF 16V	AX640SE	ケミコン	01
C374	UR877100	C. EL	10uF 63V	AX640SE	ケミコン	01
C375	UR877100	C. EL	10uF 63V	AX640SE	ケミコン	01
C376	UU137100	C. EL	10uF 16V	AX640SE	ケミコン	01
C377	UR877100	C. EL	10uF 63V	AX640SE	ケミコン	01
C378	UR877100	C. EL	10uF 63V	AX640SE	ケミコン	01
C379	UR877100	C. EL	10uF 63V	AX640SE	ケミコン	01
C380	UU137100	C. EL	10uF 16V	AX640SE	ケミコン	01
C381	UR877100	C. EL	10uF 63V	AX640SE	ケミコン	01
C382	UU137100	C. EL	10uF 16V	AX640SE	ケミコン	01
C383	UR877100	C. EL	10uF 63V	AX640SE	ケミコン	01
C384	US135100	C. CE. CHP	0.1uF 16V	AX640SE	チップセラコン	01
C385	US135100	C. CE. CHP	0.1uF 16V	AX640SE	チップセラコン	01
C386	US135100	C. CE. CHP	0.1uF 16V	AX640SE	チップセラコン	01
C387	US135100	C. CE. CHP	0.1uF 16V	AX640SE	チップセラコン	01
C388	US135100	C. CE. CHP	0.1uF 16V	AX640SE	チップセラコン	01
C389	US135100	C. CE. CHP	0.1uF 16V	AX640SE	チップセラコン	01
C390	US135100	C. CE. CHP	0.1uF 16V	AX640SE	チップセラコン	01
C391	US135100	C. CE. CHP	0.1uF 16V	AX640SE	チップセラコン	01
C392	VG291200	C. EL	47uF 50V	AX640SE	ケミコン	01
C393	VG291200	C. EL	47uF 50V	AX640SE	ケミコン	01
C394	VG287200	C. EL	10uF 50V	AX640SE	ケミコン	01
C395	UR838100	C. EL	100uF 16V	AX640SE	ケミコン	01
C396	UU137220	C. EL	22uF 16V	AX640SE	ケミコン	01
C397	UR837220	C. EL	22uF 16V	AX640SE	ケミコン	01
C398	UR837220	C. EL	22uF 16V	AX640SE	ケミコン	01
C399	UR837220	C. EL	22uF 16V	AX640SE	ケミコン	01
C400	UA652100	C. MYLAR	100pF 50V	AX640SE	マイラーコン	01
C401	UA652100	C. MYLAR	100pF 50V	AX640SE	マイラーコン	01
C402	UA652100	C. MYLAR	100pF 50V	AX640SE	マイラーコン	01
C403	UT652100	C. PP	100pF 100V	AX640SE	PPコン	01
C404	UA652100	C. MYLAR	100pF 50V	AX640SE	マイラーコン	01
C405	UR877100	C. EL	10uF 63V	AX640SE	ケミコン	01
C406	UU137100	C. EL	10uF 16V	AX640SE	ケミコン	01
C407	UR877100	C. EL	10uF 63V	AX640SE	ケミコン	01
C408	UR877100	C. EL	10uF 63V	AX640SE	ケミコン	01
C409	UR877100	C. EL	10uF 63V	AX640SE	ケミコン	01
C410	UU137220	C. EL	22uF 16V	AX640SE	ケミコン	01
C411	UU137220	C. EL	22uF 16V	AX640SE	ケミコン	01
C412	UR837220	C. EL	22uF 16V	AX640SE	ケミコン	01
C413	UR837220	C. EL	22uF 16V	AX640SE	ケミコン	01
C414	UR837220	C. EL	22uF 16V	AX640SE	ケミコン	01
C415	UR837220	C. EL	22uF 16V	AX640SE	ケミコン	01
C416	UT652100	C. PP	100pF 100V	AX640SE	PPコン	01
C417	UT652100	C. PP	100pF 100V	AX640SE	PPコン	01

\* New Parts \* 新規部品(マーク#の部品は、基板に含まれません)

RX-V740/RX-V740RDS/DSP-AX740  
 RX-V640/RX-V640RDS/HTR-5660/DSP-AX640/DSP-AX640SE

## DSP-AX640SE

## P.C.B. FUNCTION

Schm Ref.	PART NO.	Description	Remarks	Markets	部 品 名	Rank
C418	VG287500	C. EL	47uF 50V	AX640SE	ケミコン	01
C419	VG287500	C. EL	47uF 50V	AX640SE	ケミコン	01
C420	US135100	C. CE. CHP	0.1uF 16V	AX640SE	チップセラコン	01
C421	US135100	C. CE. CHP	0.1uF 16V	AX640SE	チップセラコン	01
C422	US135100	C. CE. CHP	0.1uF 16V	AX640SE	チップセラコン	01
C423	US135100	C. CE. CHP	0.1uF 16V	AX640SE	チップセラコン	01
C424	VG291200	C. EL	47uF 50V	AX640SE	ケミコン	01
C425	VG291200	C. EL	47uF 50V	AX640SE	ケミコン	01
C426	US062100	C. CE. M. CHP	100pF 50V	AX640SE	チップセラコン	01
C427	US135100	C. CE. CHP	0.1uF 16V	AX640SE	チップセラコン	01
C428	US064100	C. CE. M. CHP	0.01uF 50V	AX640SE	チップセラコン	01
C429	US064100	C. CE. M. CHP	0.01uF 50V	AX640SE	チップセラコン	01
C430	US064100	C. CE. M. CHP	0.01uF 50V	AX640SE	チップセラコン	01
C431	US064100	C. CE. M. CHP	0.01uF 50V	AX640SE	チップセラコン	01
C432	US064100	C. CE. M. CHP	0.01uF 50V	AX640SE	チップセラコン	01
C433	US064100	C. CE. M. CHP	0.01uF 50V	AX640SE	チップセラコン	01
C434	VG291200	C. EL	47uF 50V	AX640SE	ケミコン	01
C435	VG291200	C. EL	47uF 50V	AX640SE	ケミコン	01
C436	US064100	C. CE. M. CHP	0.01uF 50V	AX640SE	チップセラコン	01
C437	US064100	C. CE. M. CHP	0.01uF 50V	AX640SE	チップセラコン	01
C438	UA652100	C. MYLAR	100pF 50V	AX640SE	マイラーコン	01
C439	UA652100	C. MYLAR	100pF 50V	AX640SE	マイラーコン	01
C440	UA652100	C. MYLAR	100pF 50V	AX640SE	マイラーコン	01
C441	US061470	C. CE. M. CHP	47pF 50V	AX640SE	チップセラコン	01
C442	US062100	C. CE. M. CHP	100pF 50V	AX640SE	チップセラコン	01
C443	US135100	C. CE. CHP	0.1uF 16V	AX640SE	チップセラコン	01
C502	UA652100	C. MYLAR	100pF 50V	AX640SE	マイラーコン	01
C503	UA652100	C. MYLAR	100pF 50V	AX640SE	マイラーコン	01
C504	UA652100	C. MYLAR	100pF 50V	AX640SE	マイラーコン	01
C505	UA652100	C. MYLAR	100pF 50V	AX640SE	マイラーコン	01
C506	UA652100	C. MYLAR	100pF 50V	AX640SE	マイラーコン	01
C507	UA652100	C. MYLAR	100pF 50V	AX640SE	マイラーコン	01
C508	FG651470	C. CE	47pF 50V	AX640SE	セラコン	01
C509	FG651470	C. CE	47pF 50V	AX640SE	セラコン	01
C510	UA652100	C. MYLAR	100pF 50V	AX640SE	マイラーコン	01
C511	UA652100	C. MYLAR	100pF 50V	AX640SE	マイラーコン	01
C512	FG651470	C. CE	47pF 50V	AX640SE	セラコン	01
C513	FG651470	C. CE	47pF 50V	AX640SE	セラコン	01
C522	UR877100	C. EL	10uF 63V	AX640SE	ケミコン	01
C523	UR877100	C. EL	10uF 63V	AX640SE	ケミコン	01
C526	UR877100	C. EL	10uF 63V	AX640SE	ケミコン	01
C527	UR877100	C. EL	10uF 63V	AX640SE	ケミコン	01
C602	UR847470	C. EL	47uF 25V	AX640SE	ケミコン	01
C603	UR877100	C. EL	10uF 63V	AX640SE	ケミコン	01
C604	UR865100	C. EL	0.1uF 50V	AX640SE	ケミコン	01
C605	UR865220	C. EL	0.22uF 50V	AX640SE	ケミコン	01
C606	UR865100	C. EL	0.1uF 50V	AX640SE	ケミコン	01
C607	WB165500	C. EL	0.33F 5.5V	AX640SE	ゴールドキャパシタ	
C608	UR818220	C. EL	220uF 6.3V	AX640SE	ケミコン	01
C609	UR819100	C. EL	1000uF 6.3V	AX640SE	ケミコン	01
C610	UR819100	C. EL	1000uF 6.3V	AX640SE	ケミコン	01
C611	US135100	C. CE. CHP	0.1uF 16V	AX640SE	チップセラコン	01
C612	US135100	C. CE. CHP	0.1uF 16V	AX640SE	チップセラコン	01

\* New Parts \* 新規部品(マーク#の部品は、基板に含まれません)

**DSP-AX640SE**

**P.C.B. FUNCTION**

Schm Ref.	PART NO.	Description	Remarks	Markets	部 品 名	Rank
C613	US135100	C. CE. CHP	0.1uF 16V	AX640SE	チップセラコン	01
C614	US135100	C. CE. CHP	0.1uF 16V	AX640SE	チップセラコン	01
C615	US062100	C. CE. M. CHP	100pF 50V	AX640SE	チップセラコン	01
C616	UR866220	C. EL	2.2uF 50V	AX640SE	ケミコン	01
C618	UR866220	C. EL	2.2uF 50V	AX640SE	ケミコン	01
C620	UR866220	C. EL	2.2uF 50V	AX640SE	ケミコン	01
C621	UR866220	C. EL	2.2uF 50V	AX640SE	ケミコン	01
C641	UR858100	C. EL	100uF 35V	AX640SE	ケミコン	01
C701	US062100	C. CE. M. CHP	100pF 50V	AX640SE	チップセラコン	01
C702	US062100	C. CE. M. CHP	100pF 50V	AX640SE	チップセラコン	01
C703	US062100	C. CE. M. CHP	100pF 50V	AX640SE	チップセラコン	01
C704	US062100	C. CE. M. CHP	100pF 50V	AX640SE	チップセラコン	01
C705	US062100	C. CE. M. CHP	100pF 50V	AX640SE	チップセラコン	01
C706	US062100	C. CE. M. CHP	100pF 50V	AX640SE	チップセラコン	01
C707	US135100	C. CE. CHP	0.1uF 16V	AX640SE	チップセラコン	01
C708	US135100	C. CE. CHP	0.1uF 16V	AX640SE	チップセラコン	01
C709	US135100	C. CE. CHP	0.1uF 16V	AX640SE	チップセラコン	01
C710	UR829100	C. EL	1000uF 10V	AX640SE	ケミコン	01
C711	UR838100	C. EL	100uF 16V	AX640SE	ケミコン	01
C712	UR838100	C. EL	100uF 16V	AX640SE	ケミコン	01
C713	US135100	C. CE. CHP	0.1uF 16V	AX640SE	チップセラコン	01
C714	US135100	C. CE. CHP	0.1uF 16V	AX640SE	チップセラコン	01
C715	US135100	C. CE. CHP	0.1uF 16V	AX640SE	チップセラコン	01
C716	US135100	C. CE. CHP	0.1uF 16V	AX640SE	チップセラコン	01
C717	UR866470	C. EL	4.7uF 50V	AX640SE	ケミコン	01
C718	US062100	C. CE. M. CHP	100pF 50V	AX640SE	チップセラコン	01
C719	US135100	C. CE. CHP	0.1uF 16V	AX640SE	チップセラコン	01
C720	UR847470	C. EL	47uF 25V	AX640SE	ケミコン	01
C721	UR838100	C. EL	100uF 16V	AX640SE	ケミコン	01
C722	UR838100	C. EL	100uF 16V	AX640SE	ケミコン	01
C723	UR838100	C. EL	100uF 16V	AX640SE	ケミコン	01
C724	UR838100	C. EL	100uF 16V	AX640SE	ケミコン	01
C725	US062470	C. CE. M. CHP	470pF 50V	AX640SE	チップセラコン	01
C726	UR838100	C. EL	100uF 16V	AX640SE	ケミコン	01
C728	US064100	C. CE. M. CHP	0.01uF 50V	AX640SE	チップセラコン	01
C729	UR877100	C. EL	10uF 63V	AX640SE	ケミコン	01
C732	UR847470	C. EL	47uF 25V	AX640SE	ケミコン	01
C735	US062120	C. CE. CHP	120pF 50V	AX640SE	チップセラコン	01
C738	US062220	C. CE. CHP	220pF 50V	AX640SE	チップセラコン	01
C741	UR866470	C. EL	4.7uF 50V	AX640SE	ケミコン	01
C744	UR877100	C. EL	10uF 63V	AX640SE	ケミコン	01
C746	UR838100	C. EL	100uF 16V	AX640SE	ケミコン	01
C747	UR818330	C. EL	330uF 6.3V	AX640SE	ケミコン	01
C748	US135100	C. CE. CHP	0.1uF 16V	AX640SE	チップセラコン	01
C801	US062100	C. CE. M. CHP	100pF 50V	AX640SE	チップセラコン	01
C802	US062100	C. CE. M. CHP	100pF 50V	AX640SE	チップセラコン	01
C803	US062100	C. CE. M. CHP	100pF 50V	AX640SE	チップセラコン	01
C804	UR838100	C. EL	100uF 16V	AX640SE	ケミコン	01
C805	UR838100	C. EL	100uF 16V	AX640SE	ケミコン	01
C806	US135100	C. CE. CHP	0.1uF 16V	AX640SE	チップセラコン	01
C807	US135100	C. CE. CHP	0.1uF 16V	AX640SE	チップセラコン	01
C808	UR847470	C. EL	47uF 25V	AX640SE	ケミコン	01
C809	UR838100	C. EL	100uF 16V	AX640SE	ケミコン	01

\* New Parts \* 新規部品(マーク#の部品は、基板に含まれません)



## DSP-AX640SE

## P.C.B. FUNCTION

Schm Ref.	PART NO.	Description	Remarks	Markets	部 品 名	Rank
C810	UR838100	C. EL	100uF 16V	AX640SE	ケミコン	01
C811	US135100	C. CE. CHP	0.1uF 16V	AX640SE	チップセラコン	01
C812	US135100	C. CE. CHP	0.1uF 16V	AX640SE	チップセラコン	01
C813	UR847470	C. EL	47uF 25V	AX640SE	ケミコン	01
C821	US060800	C. CE. M. CHP	8pF 50V	AX640SE	チップセラコン	01
C822	US060800	C. CE. M. CHP	8pF 50V	AX640SE	チップセラコン	01
C823	US060800	C. CE. M. CHP	8pF 50V	AX640SE	チップセラコン	01
C824	US135100	C. CE. CHP	0.1uF 16V	AX640SE	チップセラコン	01
C825	US135100	C. CE. CHP	0.1uF 16V	AX640SE	チップセラコン	01
C826	UR838100	C. EL	100uF 16V	AX640SE	ケミコン	01
C827	UR838100	C. EL	100uF 16V	AX640SE	ケミコン	01
C828	UR877100	C. EL	10uF 63V	AX640SE	ケミコン	01
C829	UR877100	C. EL	10uF 63V	AX640SE	ケミコン	01
C830	UR877100	C. EL	10uF 63V	AX640SE	ケミコン	01
D301	VT332900	DIODE	1SS355	AX640SE	ダイオード	01
D302	VU993000	DIODE. ZENR	MA8056-M 5.6V	AX640SE	ツェナーダイオード	01
D303	VU993000	DIODE. ZENR	MA8056-M 5.6V	AX640SE	ツェナーダイオード	01
D304	VU993000	DIODE. ZENR	MA8056-M 5.6V	AX640SE	ツェナーダイオード	01
D315	VU993000	DIODE. ZENR	MA8056-M 5.6V	AX640SE	ツェナーダイオード	01
D316	VU993000	DIODE. ZENR	MA8056-M 5.6V	AX640SE	ツェナーダイオード	01
D603	VT332900	DIODE	1SS355	AX640SE	ダイオード	01
D604	VU993800	DIODE. ZENR	MA8068-M 6.8V	AX640SE	ツェナーダイオード	01
D605	VT332900	DIODE	1SS355	AX640SE	ダイオード	01
D606	VT332900	DIODE	1SS355	AX640SE	ダイオード	01
D607	VT332900	DIODE	1SS355	AX640SE	ダイオード	01
D608	VT332900	DIODE	1SS355	AX640SE	ダイオード	01
D609	VU992600	DIODE. ZENR	MA8051-M 5.1V	AX640SE	ツェナーダイオード	01
D610	VU992600	DIODE. ZENR	MA8051-M 5.1V	AX640SE	ツェナーダイオード	01
D611	VU992600	DIODE. ZENR	MA8051-M 5.1V	AX640SE	ツェナーダイオード	01
D613	VU992600	DIODE. ZENR	MA8051-M 5.1V	AX640SE	ツェナーダイオード	01
D701	VT332900	DIODE	1SS355	AX640SE	ダイオード	01
D702	VT332900	DIODE	1SS355	AX640SE	ダイオード	01
D703	VT332900	DIODE	1SS355	AX640SE	ダイオード	01
D704	VT332900	DIODE	1SS355	AX640SE	ダイオード	01
D705	VT332900	DIODE	1SS355	AX640SE	ダイオード	01
D706	VT332900	DIODE	1SS355	AX640SE	ダイオード	01
D707	VT332900	DIODE	1SS355	AX640SE	ダイオード	01
D708	VT332900	DIODE	1SS355	AX640SE	ダイオード	01
D709	VT332900	DIODE	1SS355	AX640SE	ダイオード	01
IC301	X3547A00	IC	BD3841FS	AX640SE	IC	
IC302	XS790A00	IC	TC74HC4052AF MPX	AX640SE	ロジックIC	02
IC303	XS790A00	IC	TC74HC4052AF MPX	AX640SE	ロジックIC	02
IC304	XY879A00	IC	TC74HC4053AF (EL)	AX640SE	ロジックIC SOP	03
IC305	XY879A00	IC	TC74HC4053AF (EL)	AX640SE	ロジックIC SOP	03
IC306	XZ545A00	IC	YAC520-EE2	AX640SE	IC	04
IC307	XZ545A00	IC	YAC520-EE2	AX640SE	IC	04
IC308	XZ545A00	IC	YAC520-EE2	AX640SE	IC	04
IC309	XZ545A00	IC	YAC520-EE2	AX640SE	IC	04
IC310	XZ736A00	IC	TC74HC164AF-EL	AX640SE	ロジックIC	04
IC312	X3505A00	IC	NJM2068MD-TE2	AX640SE	アンプIC SOP	02
IC313	X3505A00	IC	NJM2068MD-TE2	AX640SE	アンプIC SOP	02
IC314	XF291A00	IC	uPC4570G2	AX640SE	IC	03
IC315	X3505A00	IC	NJM2068MD-TE2	AX640SE	アンプIC SOP	02

\* New Parts \* 新規部品(マーク#の部品は、基板に含まれません)

**DSP-AX640SE**

**P.C.B. FUNCTION**

Schm Ref.	PART NO.	Description	Remarks	Markets	部 品 名	Rank
IC316	XF291A00	IC	uPC4570G2	AX640SE	IC	03
IC317	XF291A00	IC	uPC4570G2	AX640SE	IC	03
IC318	XF291A00	IC	uPC4570G2	AX640SE	IC	03
IC319	XY879A00	IC	TC74HC4053AF(EL)	AX640SE	ロジックIC SOP	03
IC320	XY879A00	IC	TC74HC4053AF(EL)	AX640SE	ロジックIC SOP	03
* IC601	X3602A00	IC, CPU	M3062VMGP-062FP	AX640SE	IC CPU	
IC602	XJ757A00	IC	NJM78L05A-T3	AX640SE	IC	01
IC701	XY549A00	IC	TC74HC4051AFEL	AX640SE	ロジックIC SOP	02
IC702	XY549A00	IC	TC74HC4051AFEL	AX640SE	ロジックIC SOP	02
IC703	XY443A00	IC	LA7109 6CH	AX640SE	アンプIC SOP	05
IC705	XW939A00	IC	TK15420M VIDEO AMP	AX640SE	アンプIC SOP	03
IC706	XW939A00	IC	TK15420M VIDEO AMP	AX640SE	アンプIC SOP	03
IC707	XY879A00	IC	TC74HC4053AF(EL)	AX640SE	ロジックIC SOP	03
IC708	XD598A00	IC	TC74HCU04AFEL INV	AX640SE	ロジックIC	01
IC709	XY879A00	IC	TC74HC4053AF(EL)	AX640SE	ロジックIC SOP	03
IC801	XY549A00	IC	TC74HC4051AFEL	AX640SE	ロジックIC SOP	02
IC802	XW911A00	IC	LA7108M VIDEO AMP	AX640SE	アンプIC	04
IC821	XZ177A00	IC	LA7104M VIDEO AMP	AX640SE	アンプIC SOP	04
IC821	X2904A00	IC	NJM2581M	AX640SE	IC	
IC822	XY879A00	IC	TC74HC4053AF(EL)	AX640SE	ロジックIC SOP	03
JK701	VS867300	CN	4P YKF51-5501	AX640SE	ミニDINコネクタ	03
JK702	V9273500	CN. DIN	2P YKF51-5605	AX640SE	DINコネクタ 2P	
JK703	V9273500	CN. DIN	2P YKF51-5605	AX640SE	DINコネクタ 2P	
JK704	V9273500	CN. DIN	2P YKF51-5605	AX640SE	DINコネクタ 2P	
PJ301	V7046700	JACK. PIN	MSP-244V1-01NI	AX640SE	ピンジャック 4P	
PJ302	V7046700	JACK. PIN	MSP-244V1-01NI	AX640SE	ピンジャック 4P	
PJ303	V7190400	JACK. PIN	6P	AX640SE	ピンジャック 6P	
PJ501	V7046800	JACK. PIN	MSP-246V1-01NI	AX640SE	ピンジャック 6P	
PJ502	V7046800	JACK. PIN	MSP-246V1-01NI	AX640SE	ピンジャック 6P	
PJ801	V7190000	JACK. PIN	2P	AX640SE	ピンジャック 2P	
PJ802	V7190000	JACK. PIN	2P	AX640SE	ピンジャック 2P	
PJ803	V7190000	JACK. PIN	2P	AX640SE	ピンジャック 2P	
PJ804	V7189800	JACK. PIN	1P	AX640SE	ピンジャック 1P	
PJ821	V8143900	JACK PIN	SHIELD YKC21-4348	AX640SE	ピンジャック 9P	04
PN301	V9637500	PIN	L=70 #18	AX640SE	スタイルピン	
Q305	VD303700	TR	2SC3326 A, B	AX640SE	トランジスタ	01
Q306	VD303700	TR	2SC3326 A, B	AX640SE	トランジスタ	01
Q307	VD303700	TR	2SC3326 A, B	AX640SE	トランジスタ	01
Q308	VD303700	TR	2SC3326 A, B	AX640SE	トランジスタ	01
Q309	VD303700	TR	2SC3326 A, B	AX640SE	トランジスタ	01
Q310	VD303700	TR	2SC3326 A, B	AX640SE	トランジスタ	01
Q311	VP872700	TR	2SC4488 S, T	AX640SE	トランジスタ	01
Q312	VD303700	TR	2SC3326 A, B	AX640SE	トランジスタ	01
Q313	VD303700	TR	2SC3326 A, B	AX640SE	トランジスタ	01
Q601	W556500	TR	2SA1037K Q, R, S	AX640SE	トランジスタ	01
Q602	W556400	TR	2SC2412K Q, R, S	AX640SE	トランジスタ	01
Q603	W556500	TR	2SA1037K Q, R, S	AX640SE	トランジスタ	01
Q604	W556500	TR	2SA1037K Q, R, S	AX640SE	トランジスタ	01
Q606	W556500	TR	2SA1037K Q, R, S	AX640SE	トランジスタ	01
Q607	W556500	TR	2SA1037K Q, R, S	AX640SE	トランジスタ	01
Q701	iC174020	TR	2SC1740S R, S	AX640SE	トランジスタ	01
Q702	iC174020	TR	2SC1740S R, S	AX640SE	トランジスタ	01
Q703	iC287820	TR	2SC2878 A, B	AX640SE	トランジスタ	01

\* New Parts \* 新規部品(マーク#の部品は、基板に含まれません)

## RX-V740/RX-V740RDS/DSP-AX740

## RX-V640/RX-V640RDS/HTR-5660/DSP-AX640

## P.C.B. FUNCTION &amp; P.C.B. OPERATION

Schm Ref.	PART NO.	Description	Remarks	Markets	部 品 名	Rank
Q704	iC174020	TR	2SC1740S R, S	AX640SE	トランジスタ	01
Q705	iC174020	TR	2SC1740S R, S	AX640SE	トランジスタ	01
Q706	iC174020	TR	2SC1740S R, S	AX640SE	トランジスタ	01
Q707	iC053540	TR	2SC535 A, B, C	AX640SE	トランジスタ	01
Q708	iA101510	TR	2SA1015 Y	AX640SE	トランジスタ	01
Q709	iC224030	TR	2SC2240 GR, BL	AX640SE	トランジスタ	01
Q821	VV556400	TR	2SC2412K Q, R, S	AX640SE	トランジスタ	01
R393	HV753220	R. CAR. FP	2.2Ω 1/4W	AX640SE	不燃化カーボン抵抗	01
R394	HV753220	R. CAR. FP	2.2Ω 1/4W	AX640SE	不燃化カーボン抵抗	01
R395	HV753470	R. CAR. FP	4.7Ω 1/4W	AX640SE	不燃化カーボン抵抗	01
R407	HV753220	R. CAR. FP	2.2Ω 1/4W	AX640SE	不燃化カーボン抵抗	01
R408	HV753220	R. CAR. FP	2.2Ω 1/4W	AX640SE	不燃化カーボン抵抗	01
R721	HV755270	R. CAR. FP	270Ω 1/4W	AX640SE	不燃化カーボン抵抗	01
R724	HV755470	R. CAR. FP	470Ω 1/4W	AX640SE	不燃化カーボン抵抗	01
R743	HV753100	R. CAR. FP	1Ω 1/4W	AX640SE	不燃化カーボン抵抗	01
R744	HV753100	R. CAR. FP	1Ω 1/4W	AX640SE	不燃化カーボン抵抗	01
R748	HV755470	R. CAR. FP	470Ω 1/4W	AX640SE	不燃化カーボン抵抗	01
R751	HV755470	R. CAR. FP	470Ω 1/4W	AX640SE	不燃化カーボン抵抗	01
R752	HV755470	R. CAR. FP	470Ω 1/4W	AX640SE	不燃化カーボン抵抗	01
R757	HV753470	R. CAR. FP	4.7Ω 1/4W	AX640SE	不燃化カーボン抵抗	01
R762	HV755470	R. CAR. FP	470Ω 1/4W	AX640SE	不燃化カーボン抵抗	01
R767	HV755470	R. CAR. FP	470Ω 1/4W	AX640SE	不燃化カーボン抵抗	01
R769	HV755470	R. CAR. FP	470Ω 1/4W	AX640SE	不燃化カーボン抵抗	01
R814	HV753100	R. CAR. FP	1Ω 1/4W	AX640SE	不燃化カーボン抵抗	01
R815	HV753100	R. CAR. FP	1Ω 1/4W	AX640SE	不燃化カーボン抵抗	01
R839	HV753100	R. CAR. FP	1Ω 1/4W	AX640SE	不燃化カーボン抵抗	01
R840	HV753100	R. CAR. FP	1Ω 1/4W	AX640SE	不燃化カーボン抵抗	01
ST601	V4040500	SCR. TERM	M3	AX640SE	スクリュー/ターミナル	01
* T701	V9243300	COIL	K5-MT/036067	AX640SE	ビデオコイルパック	
XL601	WA674700	RSNR. CE	16MHz CSTLS16M0X51	AX640SE	セラミック振動子	
* * * * *	WA708000	P. C. B.	OPERATION	740, 640, 5660	JRTKL	P C B オペレーション
* * * * *	WA708100	P. C. B.	OPERATION	740, 640, 5660	UCA	P C B オペレーション
* * * * *	WA708200	P. C. B.	OPERATION	740, 640, 5660	BG	P C B オペレーション
* CB501	Vi878100	CN. BS. PIN	3P	740, 640, 5660		ケーブルホルダー
CB502	WA005600	CN. BS. PIN	19P BE	740, 640, 5660		F F C コネクター
CB503	Vi878200	CN. BS. PIN	4P	740, 640, 5660		ケーブルホルダー
CB551	Vi878400	CN. BS. PIN	6P	740, 640, 5660		ケーブルホルダー
CB571	Vi878200	CN. BS. PIN	4P	740, 640, 5660		ケーブルホルダー
CB572	LB919020	CN. BS. PIN	2P	740, 640, 5660		ベース付ポスト
CB576	Vi878100	CN. BS. PIN	3P	740, 640, 5660		ケーブルホルダー
CB581	VP682200	CN. BS. PIN	8P	740, 640, 5660		F F C コネクター
CB601	VB390100	CN. BS. PIN	5P	740, 640, 5660		ベースピン
CB612	Vi878400	CN. BS. PIN	6P	740, 640, 5660		ケーブルホルダー
C501	US063100	C. CE. M. CHP	1000pF 50V	740, 640, 5660		チップセラコン
C502	US063100	C. CE. M. CHP	1000pF 50V	740, 640, 5660		チップセラコン
C503	US063100	C. CE. M. CHP	1000pF 50V	740, 640, 5660		チップセラコン
C504	US063100	C. CE. M. CHP	1000pF 50V	740, 640, 5660		チップセラコン
C505	UM397100	C. EL	10uF 16V	740, 640, 5660		ケミコン
C506	US062100	C. CE. M. CHP	100pF 50V	740, 640, 5660		チップセラコン
C507	US062100	C. CE. M. CHP	100pF 50V	740, 640, 5660		チップセラコン

\* New Parts \* 新規部品(マーク#の部品は、基板に含まれません)

**RX-V740/RX-V740RDS/DSP-AX740**

**RX-V640/RX-V640RDS/HTR-5660/DSP-AX640**

**P.C.B. OPERATION**

Schm Ref.	PART NO.	Description	Remarks	Markets	部 品 名	Rank
C508	US062100	C. CE. M. CHP	100pF 50V	740, 640, 5660	チップセラコン	01
C509	US135100	C. CE. CHP	0.1uF 16V	740, 640, 5660	チップセラコン	01
C510	US135100	C. CE. CHP	0.1uF 16V	740, 640, 5660	チップセラコン	01
C511	US135100	C. CE. CHP	0.1uF 16V	740, 640, 5660	チップセラコン	01
C512	US135100	C. CE. CHP	0.1uF 16V	740, 640, 5660	チップセラコン	01
C513	US062100	C. CE. M. CHP	100pF 50V	740, 640, 5660	チップセラコン	01
C514	UM388330	C. EL	330uF 6.3V	740, 640, 5660	ケミコン	01
C515	US135100	C. CE. CHP	0.1uF 16V	740, 640, 5660	チップセラコン	01
C516	US135100	C. CE. CHP	0.1uF 16V	740, 640, 5660	チップセラコン	01
C517	US135100	C. CE. CHP	0.1uF 16V	740, 640, 5660	チップセラコン	01
C518	US135100	C. CE. CHP	0.1uF 16V	740, 640, 5660	チップセラコン	01
C519	US064100	C. CE. M. CHP	0.01uF 50V	740, 640, 5660	チップセラコン	01
C551	UM397100	C. EL	10uF 16V	740, 640, 5660	ケミコン	01
C552	UM397100	C. EL	10uF 16V	740, 640, 5660	ケミコン	01
C553	US062100	C. CE. M. CHP	100pF 50V	740, 640, 5660	チップセラコン	01
C554	US062100	C. CE. M. CHP	100pF 50V	740, 640, 5660	チップセラコン	01
C555	US062100	C. CE. M. CHP	100pF 50V	740, 640, 5660	チップセラコン	01
C556	US062100	C. CE. M. CHP	100pF 50V	740, 640, 5660	チップセラコン	01
C557	UM397100	C. EL	10uF 16V	740, 640, 5660	ケミコン	01
C558	UM397100	C. EL	10uF 16V	740, 640, 5660	ケミコン	01
C559	US061100	C. CE. M. CHP	10pF 50V	740, 640, 5660	チップセラコン	01
C560	US061100	C. CE. M. CHP	10pF 50V	740, 640, 5660	チップセラコン	01
C561	UR839100	C. EL	1000uF 16V	740, 640, 5660	ケミコン	01
C562	UR839100	C. EL	1000uF 16V	740, 640, 5660	ケミコン	01
C564	US135100	C. CE. CHP	0.1uF 16V	740, 640, 5660	チップセラコン	01
C565	US135100	C. CE. CHP	0.1uF 16V	740, 640, 5660	チップセラコン	01
C566	US135100	C. CE. CHP	0.1uF 16V	740, 640, 5660	チップセラコン	01
C567	US135100	C. CE. CHP	0.1uF 16V	740, 640, 5660	チップセラコン	01
C568	US135100	C. CE. CHP	0.1uF 16V	740, 640, 5660	チップセラコン	01
C569	US135100	C. CE. CHP	0.1uF 16V	740, 640, 5660	チップセラコン	01
C581	US135100	C. CE. CHP	0.1uF 16V	740, 640, 5660	チップセラコン	01
C582	US135100	C. CE. CHP	0.1uF 16V	740, 640, 5660	チップセラコン	01
C583	US063100	C. CE. M. CHP	1000pF 50V	740, 640, 5660	チップセラコン	01
C584	US063100	C. CE. M. CHP	1000pF 50V	740, 640, 5660	チップセラコン	01
C585	US135100	C. CE. CHP	0.1uF 16V	740, 640, 5660	チップセラコン	01
C586	UR837470	C. EL	47uF 16V	740, 640, 5660	ケミコン	01
C587	UR877100	C. EL	10uF 63V	740, 640, 5660	ケミコン	01
C588	UR877100	C. EL	10uF 63V	740, 640, 5660	ケミコン	01
C589	UR877100	C. EL	10uF 63V	740, 640, 5660	ケミコン	01
C590	UR877100	C. EL	10uF 63V	740, 640, 5660	ケミコン	01
C591	UR838220	C. EL	220uF 16V	740, 640, 5660	ケミコン	01
C592	US135100	C. CE. CHP	0.1uF 16V	740, 640, 5660	チップセラコン	01
C593	US135100	C. CE. CHP	0.1uF 16V	740, 640, 5660	チップセラコン	01
C601	UA654100	C. MYLAR	0.01uF 50V	740, 640, 5660	マイラーコン	01
C602	UA653100	C. MYLAR	1000pF 50V	740, 640, 5660	マイラーコン	03
C603	UA654100	C. MYLAR	0.01uF 50V	740, 640, 5660	マイラーコン	01
C604	UA654100	C. MYLAR	0.01uF 50V	740, 640, 5660	マイラーコン	01
C605	UA654100	C. MYLAR	0.01uF 50V	740, 640, 5660	マイラーコン	01
C606	UA654100	C. MYLAR	0.01uF 50V	740, 640, 5660	マイラーコン	01
C611	VG287800	C. EL	330uF 16V	740, 640, 5660	ケミコン	01
C612	VG287800	C. EL	330uF 16V	740, 640, 5660	ケミコン	01
C613	UU166100	C. EL	1uF 50V	740, 640, 5660	ケミコン	01
C614	UU166100	C. EL	1uF 50V	740, 640, 5660	ケミコン	01

\* New Parts \* 新規部品(マーク#の部品は、基板に含まれません)

RX-V740/RX-V740RDS/DSP-AX740  
 RX-V640/RX-V640RDS/HTR-5660/DSP-AX640/DSP-AX640SE

## RX-V740/RX-V740RDS/DSP-AX740

## RX-V640/RX-V640RDS/HTR-5660/DSP-AX640

## P.C.B. OPERATION

Schm Ref.	PART NO.	Description	Remarks	Markets	部 品 名	Rank
C615	UU137220	C.EL 22uF 16V	740,640,5660		ケミコン	01
C616	UU137220	C.EL 22uF 16V	740,640,5660		ケミコン	01
C617	UU166220	C.EL 2.2uF 50V	740,640,5660		ケミコン	01
C618	UU166220	C.EL 2.2uF 50V	740,640,5660		ケミコン	01
C621	UT652100	C.PP 100pF 100V	740,640,5660		PPコン	01
C622	UT652100	C.PP 100pF 100V	740,640,5660		PPコン	01
C623	UU137470	C.EL 47uF 16V	740,640,5660		ケミコン	01
C624	UU137470	C.EL 47uF 16V	740,640,5660		ケミコン	01
C625	UU147100	C.EL 10uF 25V	740,640,5660		ケミコン	01
C626	UU147100	C.EL 10uF 25V	740,640,5660		ケミコン	01
C627	UA655120	C.MYLAR 0.12uF 50V	740,640,5660		マイラーコン	01
C628	UA655120	C.MYLAR 0.12uF 50V	740,640,5660		マイラーコン	01
C629	UA654330	C.MYLAR 0.033uF 50V	740,640,5660		マイラーコン	01
C630	UA654330	C.MYLAR 0.033uF 50V	740,640,5660		マイラーコン	01
D501	V2598200	LED SIR-505ST	740,640,5660	UCA	LED	
* D502	VV659300	DIODE.ZENR RLZ7.5B 7.5V	740,640,5660		ツェナーダイオード	
D551	VV307700	DIODE 1N4002S	740,640,5660		ダイオード	01
D552	VV307700	DIODE 1N4002S	740,640,5660		ダイオード	01
D581	VT332900	DIODE 1SS355	740,640,5660		ダイオード	01
D582	VT332900	DIODE 1SS355	740,640,5660		ダイオード	01
D583	VT332900	DIODE 1SS355	740,640,5660		ダイオード	01
D584	VT332900	DIODE 1SS355	740,640,5660		ダイオード	01
D601	VU995000	DIODE.ZENR MA8091-M 9.1V	740,640,5660		ツェナーダイオード	
D602	VT332900	DIODE 1SS355	740,640,5660		ダイオード	01
D603	VT332900	DIODE 1SS355	740,640,5660		ダイオード	01
IC501	X2874A00	IC M66003-0101FP FLD	740,640,5660		アンプIC	08
IC551	XP844A00	IC NJM4556AL	740,640,5660		IC	02
IC611	XF291A00	IC uPC4570G2	740,640,5660		IC	03
IC612	XF291A00	IC uPC4570G2	740,640,5660		IC	03
JK581	V2589500	CN 1P	740,640,5660		ミニDINコネクタ	02
JK601	V4164400	JACK.PHONE YKB21-5209	740,640,5660		ホーンジャック	03
L581	V2726500	COIL 68uH	740,640,5660		コイル	01
PJ581	V7190100	JACK.PIN 3P	740,640,5660		ピンジャック 3P	
PN501	V3750200	PIN L=70	740,640,5660		スタイルピン	
PN571	V3750200	PIN L=70	740,640,5660		スタイルピン	
PN576	V3750200	PIN L=70	740,640,5660		スタイルピン	
PN577	V9637500	PIN L=70 #18	740,640,5660		スタイルピン	
Q503	VV556400	TR 2SC2412K Q,R,S	740,640,5660		トランジスタ	01
Q504	VV556400	TR 2SC2412K Q,R,S	740,640,5660		トランジスタ	01
Q505	VV556400	TR 2SC2412K Q,R,S	740,640,5660		トランジスタ	01
Q506	VV556400	TR 2SC2412K Q,R,S	740,640,5660		トランジスタ	01
Q507	VV556400	TR 2SC2412K Q,R,S	740,640,5660		トランジスタ	01
Q508	VV556400	TR 2SC2412K Q,R,S	740,640,5660		トランジスタ	01
Q551	VK432900	TR 2SD1915F S,T	740,640,5660		トランジスタ	01
Q552	VK432900	TR 2SD1915F S,T	740,640,5660		トランジスタ	01
Q581	VV556400	TR 2SC2412K Q,R,S	740,640,5660		トランジスタ	01
Q582	VV556500	TR 2SA1037K Q,R,S	740,640,5660		トランジスタ	01
Q583	VV556400	TR 2SC2412K Q,R,S	740,640,5660		トランジスタ	01
Q584	VV556400	TR 2SC2412K Q,R,S	740,640,5660		トランジスタ	01
R557	HV755220	R.CAR.FP 220Ω 1/4W	740,640,5660		不燃化カーボン抵抗	01
R558	HV755220	R.CAR.FP 220Ω 1/4W	740,640,5660		不燃化カーボン抵抗	01
R565	HV755100	R.CAR.FP 100Ω 1/4W	740,640,5660		不燃化カーボン抵抗	01
R566	HV755100	R.CAR.FP 100Ω 1/4W	740,640,5660		不燃化カーボン抵抗	01

\* New Parts \* 新規部品(マーク#の部品は、基板に含まれません)



**DSP-AX640SE**

**P.C.B. OPERATION**

Schm Ref.	PART NO.	Description	Remarks	Markets	部 品 名	Rank
R597	HV755100	R. CAR. FP	100Ω 1/4W	740, 640, 5660		不燃化カーボン抵抗 01
R611	V8070300	R. MTL. FLM	10Ω 1W	740, 640, 5660		金属被膜抵抗
R612	V8070300	R. MTL. FLM	10Ω 1W	740, 640, 5660		金属被膜抵抗
ST581	WA246200	SCR. TERM	3.5	740, 640, 5660		スクリュー/ターミナル
ST582	WA246200	SCR. TERM	3.5	740, 640, 5660		スクリュー/ターミナル
ST601	V4040500	SCR. TERM	M3	740, 640, 5660		スクリュー/ターミナル 01
SW501	V9266400	SW. RT. ENC	XREB12105PVB25F	740, 640, 5660		ロータリーエンコーダ 02
SW502	W020300	SW. TACT	SKQNAA	740, 640, 5660		タクトSW 01
SW503	W020300	SW. TACT	SKQNAA	740, 640, 5660		タクトSW 01
SW504	W020300	SW. TACT	SKQNAA	740, 640, 5660		タクトSW 01
SW505	W020300	SW. TACT	SKQNAA	740, 640, 5660		タクトSW 01
SW506	W020300	SW. TACT	SKQNAA	740, 640, 5660		タクトSW 01
SW507	W020300	SW. TACT	SKQNAA	740, 640, 5660		タクトSW 01
SW508	W020300	SW. TACT	SKQNAA	740, 640, 5660		タクトSW 01
SW509	W020300	SW. TACT	SKQNAA	740, 640, 5660		タクトSW 01
SW510	W020300	SW. TACT	SKQNAA	740, 640, 5660		タクトSW 01
SW511	W020300	SW. TACT	SKQNAA	740, 640, 5660		タクトSW 01
SW512	W020300	SW. TACT	SKQNAA	740, 640, 5660		タクトSW 01
SW513	W020300	SW. TACT	SKQNAA	740, 640, 5660		タクトSW 01
SW514	W020300	SW. TACT	SKQNAA	740, 640, 5660		タクトSW 01
SW515	W020300	SW. TACT	SKQNAA	740, 640, 5660		タクトSW 01
SW516	W020300	SW. TACT	SKQNAA	740, 640, 5660	BG	タクトSW 01
SW517	W020300	SW. TACT	SKQNAA	740, 640, 5660	BG	タクトSW 01
SW518	W020300	SW. TACT	SKQNAA	740, 640, 5660	BG	タクトSW 01
SW519	W020300	SW. TACT	SKQNAA	740, 640, 5660	BG	タクトSW 01
SW571	W020300	SW. TACT	SKQNAA	740, 640, 5660		タクトSW 01
* SW576	V9597100	SW. RT. ENC	EC12E2460802	740, 640, 5660		ロータリーエンコーダ
U501	V8444900	L. DTCT	GP1UM271XK	740, 640, 5660		リモコン受光ユニット 04
U581	V7680700	CN. PHOT. SN	1P GP1FA512RZ	740, 640, 5660		光ファイバ受信器 04
* V501	WA292900	FL. DSPLY	16-BT-108GNK	740, 640, 5660		蛍光表示管
VR611	VP741800	VR	B20KΩ	740, 640, 5660		二連ロータリーVR 02
VR612	VP741900	VR	G25KΩ	740, 640, 5660		二連ロータリーVR 02
	V6880300	SHEET		740, 640, 5660		シート/FL
	V6007100	SPACER. FL	4.6/10/32	740, 640, 5660		スペーサ FL
* WA708300		P. C. B.	OPERATION	AX640SE	BG	P C B オペレーション
CB501	Vi878100	CN. BS. PIN	3P	AX640SE		ケーブルホルダー 01
* CB502	WA005600	CN. BS. PIN	19P BE	AX640SE		FFCコネクター
CB503	Vi878200	CN. BS. PIN	4P	AX640SE		ケーブルホルダー 01
CB551	Vi878400	CN. BS. PIN	6P	AX640SE		ケーブルホルダー 01
CB571	Vi878200	CN. BS. PIN	4P	AX640SE		ケーブルホルダー 01
CB572	LB919020	CN. BS. PIN	2P	AX640SE		ベース付ポスト 01
CB576	Vi878100	CN. BS. PIN	3P	AX640SE		ケーブルホルダー 01
CB581	VP682200	CN. BS. PIN	8P	AX640SE		FFCコネクター 01
CB601	VB390100	CN. BS. PIN	5P	AX640SE		ペースピン 01
CB612	Vi878400	CN. BS. PIN	6P	AX640SE		ケーブルホルダー 01
C501	US063100	C. CE. M. CHP	1000pF 50V	AX640SE		チップセラコン 01
C502	US063100	C. CE. M. CHP	1000pF 50V	AX640SE		チップセラコン 01
C503	US063100	C. CE. M. CHP	1000pF 50V	AX640SE		チップセラコン 01
C504	US063100	C. CE. M. CHP	1000pF 50V	AX640SE		チップセラコン 01
C505	UM397100	C. EL	10uF 16V	AX640SE		ケミコン 01

\* New Parts \* 新規部品(マーク#の部品は、基板に含まれません)

RX-V740/RX-V740RDS/DSP-AX740  
RX-V640/RX-V640RDS/HTR-5660/DSP-AX640/DSP-AX640SE

## DSP-AX640SE

## P.C.B. OPERATION

Schm Ref.	PART NO.	Description	Remarks	Markets	部 品 名	Rank
C506	US062100	C. CE. M. CHP	100pF 50V	AX640SE	チップセラコン	01
C507	US062100	C. CE. M. CHP	100pF 50V	AX640SE	チップセラコン	01
C508	US062100	C. CE. M. CHP	100pF 50V	AX640SE	チップセラコン	01
C509	US135100	C. CE. CHP	0.1uF 16V	AX640SE	チップセラコン	01
C510	US135100	C. CE. CHP	0.1uF 16V	AX640SE	チップセラコン	01
C511	US135100	C. CE. CHP	0.1uF 16V	AX640SE	チップセラコン	01
C512	US135100	C. CE. CHP	0.1uF 16V	AX640SE	チップセラコン	01
C513	US062100	C. CE. M. CHP	100pF 50V	AX640SE	チップセラコン	01
C514	UM388330	C. EL	330uF 6.3V	AX640SE	ケミコン	01
C515	US135100	C. CE. CHP	0.1uF 16V	AX640SE	チップセラコン	01
C516	US135100	C. CE. CHP	0.1uF 16V	AX640SE	チップセラコン	01
C517	US135100	C. CE. CHP	0.1uF 16V	AX640SE	チップセラコン	01
C518	US135100	C. CE. CHP	0.1uF 16V	AX640SE	チップセラコン	01
C519	US064100	C. CE. M. CHP	0.01uF 50V	AX640SE	チップセラコン	01
C551	UM397100	C. EL	10uF 16V	AX640SE	ケミコン	01
C552	UM397100	C. EL	10uF 16V	AX640SE	ケミコン	01
C553	US062100	C. CE. M. CHP	100pF 50V	AX640SE	チップセラコン	01
C554	US062100	C. CE. M. CHP	100pF 50V	AX640SE	チップセラコン	01
C555	US062100	C. CE. M. CHP	100pF 50V	AX640SE	チップセラコン	01
C556	US062100	C. CE. M. CHP	100pF 50V	AX640SE	チップセラコン	01
C557	UM397100	C. EL	10uF 16V	AX640SE	ケミコン	01
C558	UM397100	C. EL	10uF 16V	AX640SE	ケミコン	01
C559	US061100	C. CE. M. CHP	10pF 50V	AX640SE	チップセラコン	01
C560	US061100	C. CE. M. CHP	10pF 50V	AX640SE	チップセラコン	01
C561	UR839100	C. EL	1000uF 16V	AX640SE	ケミコン	01
C562	UR839100	C. EL	1000uF 16V	AX640SE	ケミコン	01
C564	US135100	C. CE. CHP	0.1uF 16V	AX640SE	チップセラコン	01
C565	US135100	C. CE. CHP	0.1uF 16V	AX640SE	チップセラコン	01
C566	US135100	C. CE. CHP	0.1uF 16V	AX640SE	チップセラコン	01
C567	US135100	C. CE. CHP	0.1uF 16V	AX640SE	チップセラコン	01
C568	US135100	C. CE. CHP	0.1uF 16V	AX640SE	チップセラコン	01
C569	US135100	C. CE. CHP	0.1uF 16V	AX640SE	チップセラコン	01
C581	US135100	C. CE. CHP	0.1uF 16V	AX640SE	チップセラコン	01
C582	US135100	C. CE. CHP	0.1uF 16V	AX640SE	チップセラコン	01
C583	US063100	C. CE. M. CHP	1000pF 50V	AX640SE	チップセラコン	01
C584	US063100	C. CE. M. CHP	1000pF 50V	AX640SE	チップセラコン	01
C585	US135100	C. CE. CHP	0.1uF 16V	AX640SE	チップセラコン	01
C586	UR837470	C. EL	47uF 16V	AX640SE	ケミコン	01
C587	UR877100	C. EL	10uF 63V	AX640SE	ケミコン	01
C588	UR877100	C. EL	10uF 63V	AX640SE	ケミコン	01
C589	UR877100	C. EL	10uF 63V	AX640SE	ケミコン	01
C590	UR877100	C. EL	10uF 63V	AX640SE	ケミコン	01
C591	UR838220	C. EL	220uF 16V	AX640SE	ケミコン	01
C592	US135100	C. CE. CHP	0.1uF 16V	AX640SE	チップセラコン	01
C593	US135100	C. CE. CHP	0.1uF 16V	AX640SE	チップセラコン	01
C601	UA654100	C. MYLAR	0.01uF 50V	AX640SE	マイラーコン	01
C602	UA653100	C. MYLAR	1000pF 50V	AX640SE	マイラーコン	03
C603	UA654100	C. MYLAR	0.01uF 50V	AX640SE	マイラーコン	01
C604	UA654100	C. MYLAR	0.01uF 50V	AX640SE	マイラーコン	01
C605	UA654100	C. MYLAR	0.01uF 50V	AX640SE	マイラーコン	01
C606	UA654100	C. MYLAR	0.01uF 50V	AX640SE	マイラーコン	01
C611	VG287800	C. EL	330uF 16V	AX640SE	ケミコン	01
C612	VG287800	C. EL	330uF 16V	AX640SE	ケミコン	01

\* New Parts \* 新規部品(マーク#の部品は、基板に含まれません)

DSP-AX640SE

P.C.B. OPERATION

Schm Ref.	PART NO.	Description	Remarks	Markets	部 品 名	Rank
C613	UU166100	C. EL	1uF 50V	AX640SE	ケミコン	01
C614	UU166100	C. EL	1uF 50V	AX640SE	ケミコン	01
C615	UU137220	C. EL	22uF 16V	AX640SE	ケミコン	01
C616	UU137220	C. EL	22uF 16V	AX640SE	ケミコン	01
C617	UU166220	C. EL	2.2uF 50V	AX640SE	ケミコン	01
C618	UU166220	C. EL	2.2uF 50V	AX640SE	ケミコン	01
C621	UT652100	C. PP	100pF 100V	AX640SE	P P コン	01
C622	UT652100	C. PP	100pF 100V	AX640SE	P P コン	01
C623	UU137470	C. EL	47uF 16V	AX640SE	ケミコン	01
C624	UU137470	C. EL	47uF 16V	AX640SE	ケミコン	01
C625	UU147100	C. EL	10uF 25V	AX640SE	ケミコン	01
C626	UU147100	C. EL	10uF 25V	AX640SE	ケミコン	01
C627	UA655120	C. MYLAR	0.12uF 50V	AX640SE	マイラーコン	01
C628	UA655120	C. MYLAR	0.12uF 50V	AX640SE	マイラーコン	01
C629	UA654330	C. MYLAR	0.033uF 50V	AX640SE	マイラーコン	01
C630	UA654330	C. MYLAR	0.033uF 50V	AX640SE	マイラーコン	01
* D502	WV659300	DIODE. ZENR	RLZ7.5B 7.5V	AX640SE	ツェナーダイオード	
D551	WV307700	DIODE	1N4002S	AX640SE	ダイオード	01
D552	WV307700	DIODE	1N4002S	AX640SE	ダイオード	01
D581	VT332900	DIODE	1SS355	AX640SE	ダイオード	01
D582	VT332900	DIODE	1SS355	AX640SE	ダイオード	01
D583	VT332900	DIODE	1SS355	AX640SE	ダイオード	01
D584	VT332900	DIODE	1SS355	AX640SE	ダイオード	01
D601	VU995000	DIODE. ZENR	MA8091-M 9.1V	AX640SE	ツェナーダイオード	
D602	VT332900	DIODE	1SS355	AX640SE	ダイオード	01
D603	VT332900	DIODE	1SS355	AX640SE	ダイオード	01
IC501	X2874A00	IC	M66003-0101FP FLD	AX640SE	アンプIC	08
IC551	XP844A00	IC	NJM4556AL	AX640SE	IC	02
IC611	XF291A00	IC	uPC4570G2	AX640SE	IC	03
IC612	XF291A00	IC	uPC4570G2	AX640SE	IC	03
JK581	V2589500	CN	1P	AX640SE	ミニDINコネクタ	02
JK601	V4164400	JACK. PHONE	YKB21-5209	AX640SE	ホーンジャック	03
L581	V2726500	COIL	68uH	AX640SE	コイル	01
PJ581	V7190100	JACK. PIN	3P	AX640SE	ピンジャック 3P	
PN501	V3750200	PIN	L=70	AX640SE	スタイルピン	
PN571	V3750200	PIN	L=70	AX640SE	スタイルピン	
PN576	V3750200	PIN	L=70	AX640SE	スタイルピン	
PN577	V9637500	PIN	L=70 #18	AX640SE	スタイルピン	
Q503	WV556400	TR	2SC2412K Q, R, S	AX640SE	トランジスタ	01
Q504	WV556400	TR	2SC2412K Q, R, S	AX640SE	トランジスタ	01
Q505	WV556400	TR	2SC2412K Q, R, S	AX640SE	トランジスタ	01
Q506	WV556400	TR	2SC2412K Q, R, S	AX640SE	トランジスタ	01
Q507	WV556400	TR	2SC2412K Q, R, S	AX640SE	トランジスタ	01
Q508	WV556400	TR	2SC2412K Q, R, S	AX640SE	トランジスタ	01
Q551	VK432900	TR	2SD1915F S, T	AX640SE	トランジスタ	01
Q552	VK432900	TR	2SD1915F S, T	AX640SE	トランジスタ	01
Q581	WV556400	TR	2SC2412K Q, R, S	AX640SE	トランジスタ	01
Q582	WV556500	TR	2SA1037K Q, R, S	AX640SE	トランジスタ	01
Q583	WV556400	TR	2SC2412K Q, R, S	AX640SE	トランジスタ	01
Q584	WV556400	TR	2SC2412K Q, R, S	AX640SE	トランジスタ	01
R557	HV755220	R. CAR. FP	220Ω 1/4W	AX640SE	不燃化カーボン抵抗	01
R558	HV755220	R. CAR. FP	220Ω 1/4W	AX640SE	不燃化カーボン抵抗	01
R565	HV755100	R. CAR. FP	100Ω 1/4W	AX640SE	不燃化カーボン抵抗	01

\* New Parts \* 新規部品(マーク#の部品は、基板に含まれません)

**P.C.B. OPERATION & P.C.B. VIDEO**

Schm Ref.	PART NO.	Description	Remarks	Markets	部 品 名	Rank
R566	HV755100	R. CAR. FP	100Ω 1/4W	AX640SE	不燃化カーボン抵抗	01
R597	HV755100	R. CAR. FP	100Ω 1/4W	AX640SE	不燃化カーボン抵抗	01
R611	V8070300	R. MTL. FLM	10Ω 1W	AX640SE	金属被膜抵抗	
R612	V8070300	R. MTL. FLM	10Ω 1W	AX640SE	金属被膜抵抗	
ST581	WA246200	SCR. TERM	3.5	AX640SE	スクリュー/ターミナル	
ST582	WA246200	SCR. TERM	3.5	AX640SE	スクリュー/ターミナル	
ST601	V4040500	SCR. TERM	M3	AX640SE	スクリュー/ターミナル	01
SW501	V9266400	SW. RT. ENC	XREB12105PVB25F	AX640SE	ロータリーエンコーダ	02
SW502	VV020300	SW. TACT	SKQNAA	AX640SE	タクトSW	01
SW503	VV020300	SW. TACT	SKQNAA	AX640SE	タクトSW	01
SW504	VV020300	SW. TACT	SKQNAA	AX640SE	タクトSW	01
SW505	VV020300	SW. TACT	SKQNAA	AX640SE	タクトSW	01
SW506	VV020300	SW. TACT	SKQNAA	AX640SE	タクトSW	01
SW507	VV020300	SW. TACT	SKQNAA	AX640SE	タクトSW	01
SW508	VV020300	SW. TACT	SKQNAA	AX640SE	タクトSW	01
SW509	VV020300	SW. TACT	SKQNAA	AX640SE	タクトSW	01
SW510	VV020300	SW. TACT	SKQNAA	AX640SE	タクトSW	01
SW511	VV020300	SW. TACT	SKQNAA	AX640SE	タクトSW	01
SW571	VV020300	SW. TACT	SKQNAA	AX640SE	タクトSW	01
* SW576	V9597100	SW. RT. ENC	EC12E2460802	AX640SE	ロータリーエンコーダ	
U501	V8444900	L. DTCT	GP1UM271XK	AX640SE	リモコン受光ユニット	04
U581	V7680700	CN. PHOT. SN	1P GP1FA512RZ	AX640SE	光ファイバ受信器	04
* V501	WA292900	FL. DSPLY	16-BT-108GNK	AX640SE	蛍光表示管	
VR611	VP741800	VR	B20KΩ	AX640SE	二連ロータリーVR	02
VR612	VP741900	VR	G25KΩ	AX640SE	二連ロータリーVR	02
	V6880300	SHEET		AX640SE	シート/FL	
	V6007100	SPACER. FL	4.6/10/32	AX640SE	スペーサ FL	
	WA709000	P. C. B.	VIDEO		P. C. B. ビデオ	
CB851	VB858300	CN. BS. PIN	4P		コネクタベースポスト	01
CB852	V7684100	CM	14P SE YKF SERIES		D端子コネクタ	
CB853	V7684100	CM	14P SE YKF SERIES		D端子コネクタ	
CB854	V7684100	CM	14P SE YKF SERIES		D端子コネクタ	
C851	US064100	C. CE. M. CHP	0.01uF 50V		チップセラコン	01
C852	US064100	C. CE. M. CHP	0.01uF 50V		チップセラコン	01
C853	US064100	C. CE. M. CHP	0.01uF 50V		チップセラコン	01
C854	US064100	C. CE. M. CHP	0.01uF 50V		チップセラコン	01
C855	US064100	C. CE. M. CHP	0.01uF 50V		チップセラコン	01
C856	US064100	C. CE. M. CHP	0.01uF 50V		チップセラコン	01
C857	US060800	C. CE. CHP	8pF 50V		チップセラコン	01
C858	US060800	C. CE. CHP	8pF 50V		チップセラコン	01
C859	US060800	C. CE. CHP	8pF 50V		チップセラコン	01
C860	US064100	C. CE. M. CHP	0.01uF 50V		チップセラコン	01
C861	US064100	C. CE. M. CHP	0.01uF 50V		チップセラコン	01
C862	US064100	C. CE. M. CHP	0.01uF 50V		チップセラコン	01
C863	US135100	C. CE. CHP	0.1uF 16V		チップセラコン	01
C864	US135100	C. CE. CHP	0.1uF 16V		チップセラコン	01
C865	UR828100	C. EL	100uF 10V		ケミコン	01
C866	UR828100	C. EL	100uF 10V		ケミコン	01
C867	US135100	C. CE. CHP	0.1uF 16V		チップセラコン	01
D851	VT332900	DIODE	1SS355		ダイオード	01

\* New Parts \* 新規部品(マーク#の部品は、基板に含まれません)

**P.C.B. VIDEO & P.C.B. MAIN**

Schm Ref.	PART NO.	Description	Remarks	Markets	部 品 名	Rank	
D852	VT332900	DIODE	1SS355		J	ダイオード	01
D853	VT332900	DIODE	1SS355		J	ダイオード	01
D854	VT332900	DIODE	1SS355		J	ダイオード	01
D855	VT332900	DIODE	1SS355		J	ダイオード	01
D856	VT332900	DIODE	1SS355		J	ダイオード	01
D857	VT332900	DIODE	1SS355		J	ダイオード	01
IC851	XY879A00	IC	TC74HC4053AF(EL)		J	ロジックIC SOP	03
IC852	XY879A00	IC	TC74HC4053AF(EL)		J	ロジックIC SOP	03
IC853	X2904A00	IC	NJM2581M VIDEO AMP		J	アンプIC SOP	06
Q851	WV556400	TR	2SC2412K Q, R, S		J	トランジスタ	01
R872	HV753100	R. CAR. FP	1Ω 1/4W		J	不燃化カーボン抵抗	01
R873	HV753100	R. CAR. FP	1Ω 1/4W		J	不燃化カーボン抵抗	01
	WA700000	P. C. B.	MAIN		J	P C B メイン	
	WA700100	P. C. B.	MAIN		UC	P C B メイン	
	WA700200	P. C. B.	MAIN		RTA	P C B メイン	
	WA700300	P. C. B.	MAIN		KBGL	P C B メイン	
CB101	V7825700	CN	7P TE TUC SERIES			コネクタープラグ	
CB102	V7826500	CN	15P TE TUC SERIES			コネクタープラグ	01
CB103	LB918040	CN. BS. PIN	4P			ベース付ポスト	01
CB104	VF728200	CN. BS. PIN	10P			コネクタ	01
CB105	VR428800	CN. BS. PIN	3P			ケーブルホルダー	01
CB106	VB389800	CN. BS. PIN	2P			ベースピン	01
CB107	Vi878100	CN. BS. PIN	3P			ケーブルホルダー	01
CB109	VL844700	CN. BS. PIN	3P			ベース付ポスト	01
CB301	VR428800	CN. BS. PIN	3P			ケーブルホルダー	01
CB302	Vi878100	CN. BS. PIN	3P			ケーブルホルダー	01
CB303	V7825400	CN	4P TE TUC SERIES			コネクタープラグ	01
CB304	VK025600	CN. BS. PIN	12P			ワイヤートラップ	01
CB305	Vi878700	CN. BS. PIN	9P			ケーブルホルダー	01
CB306	LB932060	CN. BS. PIN	6P			ベースポスト	01
CB307	WB127100	CN. BS. PIN	3P TE XH			ベースツキポスト	
CB401	V7828200	SOCKET	15P TE TUC SERIES			コネクタースOCKET	
CB403	LB919070	CN. BS. PIN	7P			ベース付ポスト	01
CB501	VK026800	CN. BS. PIN	9P			ワイヤートラップ	01
C101	VG291200	C. EL	47uF 50V			ケミコン	01
C102	UU197220	C. EL	22uF 100V			ケミコン FW	
C103	VG291200	C. EL	47uF 50V			ケミコン	01
C104	VG291200	C. EL	47uF 50V			ケミコン	01
C105	VG291200	C. EL	47uF 50V			ケミコン	01
C106	VG291200	C. EL	47uF 50V			ケミコン	01
C107	UU196470	C. EL	4.7uF 100V			ケミコン FW	
C108	V8638300	C. PP	150pF 630V			PPコン	
C109	UR337470	C. EL	47uF 16V			ケミコン ASF	03
C110	VK399200	C. MYLAR. ML	0.39uF 50V			積層マイラーコン	01
C111	V8638300	C. PP	150pF 630V			PPコン	
C112	V8638300	C. PP	150pF 630V			PPコン	
C113	UR337470	C. EL	47uF 16V			ケミコン ASF	03
C114	VK399200	C. MYLAR. ML	0.39uF 50V			積層マイラーコン	01
C115	V8638300	C. PP	150pF 630V			PPコン	
C116	UT652150	C. PP	150pF 100V			PPコン	01

\*  
\*  
\*  
\*

\*

\* New Parts \* 新規部品(マーク#の部品は、基板に含まれません)

RX-V740/RX-V740RDS/DSP-AX740  
RX-V640/RX-V640RDS/HTR-5660/DSP-AX640/DSP-AX640SE



P.C.B. MAIN

Schm Ref.	PART NO.	Description	Remarks	Markets	部 品 名	Rank
C117	VG287500	C.EL 47uF 50V			ケミコン	01
C118	UT652150	C.PP 150pF 100V			PPコン	01
C119	UT652150	C.PP 150pF 100V			PPコン	01
C120	VG287500	C.EL 47uF 50V			ケミコン	01
C121	UT652150	C.PP 150pF 100V			PPコン	01
C122	V8638300	C.PP 150pF 630V			PPコン	
C123	UR337470	C.EL 47uF 16V			ケミコン A S F	03
C124	V8638300	C.PP 150pF 630V			PPコン	
C125	UT654220	C.PP 0.022uF 100V			PPコン	01
C126	UT654220	C.PP 0.022uF 100V			PPコン	01
C127	VR324700	C.MYLAR 0.022uF 100V			マイラーコン	
C128	VR324700	C.MYLAR 0.022uF 100V			マイラーコン	
C129	UT654220	C.PP 0.022uF 100V			PPコン	01
C130	V8584600	C.PP 220pF 630V			PPコン	
C131	UR866470	C.EL 4.7uF 50V			ケミコン	01
C132	UR818100	C.EL 100uF 6.3V			ケミコン	01
C133	VG287500	C.EL 47uF 50V			ケミコン	01
C134	VT898000	C.MYLAR 0.1uF 100V			マイラーコン	
C135	VT898000	C.MYLAR 0.1uF 100V			マイラーコン	
C136	UR858470	C.EL 470uF 35V			ケミコン	01
△ C137	UR397100	C.EL 10uF 100V			ケミコン A S F	03
△ C138	UR397100	C.EL 10uF 100V			ケミコン A S F	03
C139	UR868330	C.EL 330uF 50V			ケミコン	01
C301	UR857470	C.EL 47uF 35V			ケミコン	01
C302	UR866470	C.EL 4.7uF 50V			ケミコン	01
△ C303	V2922200	C.EL 12000uF 63V		RTA	ケミコン	10
△ C303	V9468800	C.EL 12000uF 71V		JKBGL	ケミコン	08
* △ C303	WA991300	C.EL 12000uF 63V		UC	ブロックケミコン	
△ C304	V2922200	C.EL 12000uF 63V		RTA	ケミコン	10
C304	V9468800	C.EL 12000uF 71V		JKBGL	ケミコン	08
* C304	WA991300	C.EL 12000uF 63V		UC	ブロックケミコン	
C305	UA654100	C.MYLAR 0.01uF 50V		RTAKBGL	マイラーコン	01
C306	VG291300	C.EL 100uF 50V			ケミコン	01
C307	VG291300	C.EL 100uF 50V			ケミコン	01
C308	UA654100	C.MYLAR 0.01uF 50V		RTAKBGL	マイラーコン	01
C309	UA653470	C.MYLAR 4700pF 50V		RTAKBGL	マイラーコン	01
C310	UA653470	C.MYLAR 4700pF 50V		RTAKBGL	マイラーコン	01
C311	UA653470	C.MYLAR 4700pF 50V		RTAKBGL	マイラーコン	01
C312	UA654100	C.MYLAR 0.01uF 50V			マイラーコン	01
C313	UA654100	C.MYLAR 0.01uF 50V		RTAKBGL	マイラーコン	01
C314	VR324900	C.MYLAR 0.1uF 100V			マイラーコン	01
C315	VR324900	C.MYLAR 0.1uF 100V			マイラーコン	01
C316	VR324900	C.MYLAR 0.1uF 100V			マイラーコン	01
C317	VR324900	C.MYLAR 0.1uF 100V			マイラーコン	01
C318	UA653470	C.MYLAR 4700pF 50V		RTAKBGL	マイラーコン	01
C319	UA654100	C.MYLAR 0.01uF 50V		RTAKBGL	マイラーコン	01
C320	UA654100	C.MYLAR 0.01uF 50V		RTAKBGL	マイラーコン	01
C321	VR325200	C.MYLAR 0.022uF 100V			マイラーコン	01
C322	UA654220	C.MYLAR 0.022uF 50V		RTAKBGL	マイラーコン	01
C323	UA654220	C.MYLAR 0.022uF 50V		RTAKBGL	マイラーコン	01
C324	UA654220	C.MYLAR 0.022uF 50V		RTAKBGL	マイラーコン	01
C325	UR868330	C.EL 330uF 50V			ケミコン	01
C326	VR325200	C.MYLAR 0.022uF 100V		RTAKBGL	マイラーコン	01

\* New Parts \* 新規部品(マーク#の部品は、基板に含まれません)

P.C.B. MAIN

Schm Ref.	PART NO.	Description	Remarks	Markets	部 品 名	Rank
C327	VR325200	C. MYLAR 0.022uF 100V		RTAKBGL	マイラーコン	01
C401	VJ599100	C. CE. TUBLR 0.1uF 50V			円筒セラコン	01
C402	VG287600	C. EL 100uF 25V			ケミコン	01
C403	VG287600	C. EL 100uF 25V			ケミコン	01
C404	VG288500	C. EL 10uF 25V			ケミコン	01
C405	VG288500	C. EL 10uF 25V			ケミコン	01
C406	VG291200	C. EL 47uF 50V			ケミコン	01
C407	UR838100	C. EL 100uF 16V			ケミコン	01
C408	UR838100	C. EL 100uF 16V			ケミコン	01
C409	UT652150	C. PP 150pF 100V			PPコン	01
C410	VG287500	C. EL 47uF 50V			ケミコン	01
C411	UT652150	C. PP 150pF 100V			PPコン	01
C412	UR847100	C. EL 10uF 25V			ケミコン	01
C413	UR838100	C. EL 100uF 16V			ケミコン	01
C414	UR847100	C. EL 10uF 25V			ケミコン	01
C415	UR847100	C. EL 10uF 25V			ケミコン	01
C416	VR324700	C. MYLAR 0.022uF 100V			マイラーコン	
* △ C417	UR03A100	C. EL 10000uF 16V			ケミコン	
* △ C418	UR03A100	C. EL 10000uF 16V			ケミコン	
* △ C419	UR049680	C. EL 6800uF 25V			ケミコン	
* △ C420	UR049330	C. EL 3300uF 25V			ケミコン	
* △ C421	UR03A100	C. EL 10000uF 16V			ケミコン	
* C422	UR03A100	C. EL 10000uF 16V			ケミコン	
C423	VR324900	C. MYLAR 0.1uF 100V			マイラーコン	01
C425	VR324900	C. MYLAR 0.1uF 100V			マイラーコン	01
C427	VR324900	C. MYLAR 0.1uF 100V			マイラーコン	01
C428	VR324900	C. MYLAR 0.1uF 100V			マイラーコン	01
C429	UR866470	C. EL 4.7uF 50V			ケミコン	01
C501	VF466900	C. CE. TUBLR 470pF 50V			円筒セラコン	01
C502	VF466900	C. CE. TUBLR 470pF 50V			円筒セラコン	01
C503	VF466900	C. CE. TUBLR 470pF 50V			円筒セラコン	01
C504	VF466900	C. CE. TUBLR 470pF 50V			円筒セラコン	01
C505	VF466900	C. CE. TUBLR 470pF 50V			円筒セラコン	01
C506	VF466900	C. CE. TUBLR 470pF 50V			円筒セラコン	01
C507	UA654100	C. MYLAR 0.01uF 50V			マイラーコン	01
C508	UA654100	C. MYLAR 0.01uF 50V			マイラーコン	01
D101	VD631600	DIODE 1SS133, 176			ダイオード	01
D102	WA180300	DIODE 1SS244			ダイオード	01
D103	VD631600	DIODE 1SS133, 176			ダイオード	01
D104	WA180300	DIODE 1SS244			ダイオード	01
D105	WA180300	DIODE 1SS244			ダイオード	01
D106	WA180300	DIODE 1SS244			ダイオード	01
D107	WA180300	DIODE 1SS244			ダイオード	01
D108	VN008700	DIODE 1SS270A			ダイオード	01
D109	VN008700	DIODE 1SS270A			ダイオード	01
D110	VN008700	DIODE 1SS270A			ダイオード	01
D111	VN008700	DIODE 1SS270A			ダイオード	01
D112	VN008700	DIODE 1SS270A			ダイオード	01
D113	VD631600	DIODE 1SS133, 176			ダイオード	01
D114	VD631600	DIODE 1SS133, 176			ダイオード	01
D115	WA180300	DIODE 1SS244			ダイオード	01
D116	WA180300	DIODE 1SS244			ダイオード	01
D117	VG437200	DIODE. ZENR MTZJ4.7C 4.7V			ツェナーダイオード	01

\* New Parts \* 新規部品(マーク#の部品は、基板に含まれません)

P.C.B. MAIN

Schm Ref.	PART NO.	Description	Remarks	Markets	部 品 名	Rank
D118	WA180300	DIODE	1SS244		ダイオード	01
D119	WA180300	DIODE	1SS244		ダイオード	01
D120	WA180300	DIODE	1SS244		ダイオード	01
D121	WA180300	DIODE	1SS244		ダイオード	01
D301	VG440300	DIODE. ZENR	MTZJ12C 12V		ツェナーダイオード	01
D302	VG440300	DIODE. ZENR	MTZJ12C 12V		ツェナーダイオード	01
D303	VG440300	DIODE. ZENR	MTZJ12C 12V		ツェナーダイオード	01
D304	VG440300	DIODE. ZENR	MTZJ12C 12V		ツェナーダイオード	01
D305	VG443200	DIODE. ZENR	MTZJ30A 30V		ツェナーダイオード	01
D306	VG440300	DIODE. ZENR	MTZJ12C 12V		ツェナーダイオード	01
D307	VG440300	DIODE. ZENR	MTZJ12C 12V		ツェナーダイオード	01
D308	VG440300	DIODE. ZENR	MTZJ12C 12V		ツェナーダイオード	01
D309	VG440300	DIODE. ZENR	MTZJ12C 12V		ツェナーダイオード	01
△ D310	WA653200	DIODE. BRG	TS6P03G 6.0A 200V		ダイオードブリッジ	
△ D311	VS997800	DIODE	1T2		ダイオード	01
△ D312	VS997800	DIODE	1T2		ダイオード	01
△ D313	VS997800	DIODE	1T2		ダイオード	01
△ D314	VS997800	DIODE	1T2		ダイオード	01
△ D315	VV307700	DIODE	1N4002S		ダイオード	01
D401	WA180300	DIODE	1SS244		ダイオード	01
D402	VN008700	DIODE	1SS270A		ダイオード	01
△ D403	WA653100	DIODE. BRG	KBP103G 1.0A 200V		ダイオードブリッジ	
△ D404	WA653100	DIODE. BRG	KBP103G 1.0A 200V		ダイオードブリッジ	
D405	VG435500	DIODE. ZENR	MTZJ2.4B 2.4V		ツェナーダイオード	
D406	VG435500	DIODE. ZENR	MTZJ2.4B 2.4V		ツェナーダイオード	
D407	VN008700	DIODE	1SS270A		ダイオード	01
G101	VR463400	TERM. GND	D3.5		アース端子	01
G301	VR463400	TERM. GND	D3.5		アース端子	01
G302	V5995800	PLATE. GND			アースプレート	
IC401	X0515A00	IC	LM61CIZ THERMAL		電源IC	
△ IC402	XJ608A00	IC	NJM7812FA		IC	02
△ IC403	XD343A00	IC	NJM79M12FA		IC	03
△ IC404	XJ607A00	IC	NJM7805FA 5V		IC	02
△ IC405	XE436A00	IC	NJM79M05FA		IC	03
△ IC406	XJ607A00	IC	NJM7805FA 5V		IC	02
L101	VU038200	COIL	0.95uH		コイル	02
L102	VU038200	COIL	0.95uH		コイル	02
L103	V2604200	COIL	1uH		コイル	01
L104	V2604200	COIL	1uH		コイル	01
L105	V2604200	COIL	1uH		コイル	01
L401	V2604200	COIL	1uH		コイル	01
PJ501	V7190400	JACK. PIN	6P		ピンジャック 6P	
PJ503	V7189700	JACK. PIN	1P		ピンジャック 1P	01
PN301	V9637500	PIN	L=70 #18		スタイルピン	
PN304	V9637500	PIN	L=70 #18		スタイルピン	
PN401	V9637500	PIN	L=70 #18		スタイルピン	
PN402	V9637500	PIN	L=70 #18		スタイルピン	
PN403	V9637500	PIN	L=70 #18		スタイルピン	
△ Q101	VK432900	TR	2SD1915F S,T		トランジスタ	01
△ Q102	VK432900	TR	2SD1915F S,T		トランジスタ	01
△ Q103	VK432900	TR	2SD1915F S,T		トランジスタ	01
△ Q104	VK432900	TR	2SD1915F S,T		トランジスタ	01
△ Q105	VK432900	TR	2SD1915F S,T		トランジスタ	01

\* New Parts \* 新規部品(マーク#の部品は、基板に含まれません)

P.C.B. MAIN

Schm Ref.	PART NO.	Description	Remarks	Markets	部品名	Rank
△ Q106	VC614000	TR 2SB1274 O, R, S			トランジスタ	02
△ Q107	VP883000	TR 2SA893A D, E			トランジスタ	01
Q108	VP883000	TR 2SA893A D, E			トランジスタ	01
△ Q109	V4096100	TR 2SC4614 S, T			トランジスタ	02
△ Q110A	iX630850	TR 2SA1695 O, P, Y			トランジスタ	04
△ Q110C	iX630860	TR 2SC4468 O, P, Y			トランジスタ	04
△ Q111A	iX630850	TR 2SA1695 O, P, Y			トランジスタ	04
△ Q111C	iX630860	TR 2SC4468 O, P, Y			トランジスタ	04
△ Q112A	iX630850	TR 2SA1695 O, P, Y			トランジスタ	04
△ Q112C	iX630860	TR 2SC4468 O, P, Y			トランジスタ	04
△ Q113A	iX630850	TR 2SA1695 O, P, Y			トランジスタ	04
△ Q113C	iX630860	TR 2SC4468 O, P, Y			トランジスタ	04
△ Q114A	iX630850	TR 2SA1695 O, P, Y			トランジスタ	04
△ Q114C	iX630860	TR 2SC4468 O, P, Y			トランジスタ	04
△ Q115	V4096000	TR 2SA1770 S, T			トランジスタ	03
△ Q116	VR402300	TR 2SB647 C, D			トランジスタ	01
△ Q117	V4096100	TR 2SC4614 S, T			トランジスタ	02
△ Q118	iC224030	TR 2SC2240 GR, BL			トランジスタ	01
△ Q119	V4096000	TR 2SA1770 S, T			トランジスタ	03
△ Q121	V4096100	TR 2SC4614 S, T			トランジスタ	02
△ Q122	V4096000	TR 2SA1770 S, T			トランジスタ	03
△ Q123	V4096000	TR 2SA1770 S, T			トランジスタ	03
△ Q124	V4096100	TR 2SC4614 S, T			トランジスタ	02
△ Q125	V4096100	TR 2SC4614 S, T			トランジスタ	02
△ Q128	V4096000	TR 2SA1770 S, T			トランジスタ	03
Q129	iC181510	TR 2SC1815 Y			トランジスタ	01
Q130	VP883100	TR 2SC1890A D, E			トランジスタ	01
Q131	VP883100	TR 2SC1890A D, E			トランジスタ	01
Q132	VP883100	TR 2SC1890A D, E			トランジスタ	01
Q134	VP883100	TR 2SC1890A D, E			トランジスタ	01
Q135	VP883100	TR 2SC1890A D, E			トランジスタ	01
Q136	VP883000	TR 2SA893A D, E			トランジスタ	01
Q137	VP883100	TR 2SC1890A D, E			トランジスタ	01
Q138	VP883100	TR 2SC1890A D, E			トランジスタ	01
Q301	iC181510	TR 2SC1815 Y			トランジスタ	01
△ Q302	iA101510	TR 2SA1015 Y			トランジスタ	01
Q303	VK432900	TR 2SD1915F S, T			トランジスタ	01
Q304	VK432900	TR 2SD1915F S, T			トランジスタ	01
Q305	iC181510	TR 2SC1815 Y			トランジスタ	01
Q306	iC181510	TR 2SC1815 Y			トランジスタ	01
△ Q401	iC224030	TR 2SC2240 GR, BL			トランジスタ	01
△ Q402	V4096100	TR 2SC4614 S, T			トランジスタ	02
△ Q403A	iX630850	TR 2SA1695 O, P, Y			トランジスタ	04
△ Q403C	iX630860	TR 2SC4468 O, P, Y			トランジスタ	04
△ Q404	V4096000	TR 2SA1770 S, T			トランジスタ	03
Q406	VP883100	TR 2SC1890A D, E			トランジスタ	01
Q407	VP883100	TR 2SC1890A D, E			トランジスタ	01
R102	V8072100	R. MTL. OXD 5.6KΩ 1W			酸化金属被膜抵抗	
R103	V8072100	R. MTL. OXD 5.6KΩ 1W			酸化金属被膜抵抗	
R105	HV755100	R. CAR. FP 100Ω 1/4W			不燃化カーボン抵抗	01
R106	HL006270	R. MTL. OXD 2.7KΩ 1/2W			酸化金属被膜抵抗	
R107	HL005330	R. MTL. OXD 330Ω 1/2W			酸化金属被膜抵抗	
R108	HL005820	R. MTL. OXD 820Ω 1/2W			酸化金属被膜抵抗	

\* New Parts \* 新規部品(マーク#の部品は、基板に含まれません)

## P.C.B. MAIN

Schm Ref.	PART NO.	Description	Remarks	Markets	部品名	Rank	
R109	HL006100	R. MTL. OXD	1K $\Omega$	1/2W		酸化金属被膜抵抗	
R110	V8072100	R. MTL. OXD	5.6K $\Omega$	1W		酸化金属被膜抵抗	
R111	V8072100	R. MTL. OXD	5.6K $\Omega$	1W		酸化金属被膜抵抗	
R112	HV755100	R. CAR. FP	100 $\Omega$	1/4W		不燃化カーボン抵抗	01
R113	HL006270	R. MTL. OXD	2.7K $\Omega$	1/2W		酸化金属被膜抵抗	
R114	HL005330	R. MTL. OXD	330 $\Omega$	1/2W		酸化金属被膜抵抗	
R115	HL005820	R. MTL. OXD	820 $\Omega$	1/2W		酸化金属被膜抵抗	
R116	HL006100	R. MTL. OXD	1K $\Omega$	1/2W		酸化金属被膜抵抗	
R117	V8072100	R. MTL. OXD	5.6K $\Omega$	1W		酸化金属被膜抵抗	
R118	V8072100	R. MTL. OXD	5.6K $\Omega$	1W		酸化金属被膜抵抗	
R119	HV755100	R. CAR. FP	100 $\Omega$	1/4W		不燃化カーボン抵抗	01
R120	HL006270	R. MTL. OXD	2.7K $\Omega$	1/2W		酸化金属被膜抵抗	
R121	HL005330	R. MTL. OXD	330 $\Omega$	1/2W		酸化金属被膜抵抗	
R122	HL006100	R. MTL. OXD	1K $\Omega$	1/2W		酸化金属被膜抵抗	
R123	HL005820	R. MTL. OXD	820 $\Omega$	1/2W		酸化金属被膜抵抗	
R124	V8072100	R. MTL. OXD	5.6K $\Omega$	1W		酸化金属被膜抵抗	
R125	V8072100	R. MTL. OXD	5.6K $\Omega$	1W		酸化金属被膜抵抗	
R126	HV755100	R. CAR. FP	100 $\Omega$	1/4W		不燃化カーボン抵抗	01
R127	HL006270	R. MTL. OXD	2.7K $\Omega$	1/2W		酸化金属被膜抵抗	
R128	HL005330	R. MTL. OXD	330 $\Omega$	1/2W		酸化金属被膜抵抗	
R129	HL006100	R. MTL. OXD	1K $\Omega$	1/2W		酸化金属被膜抵抗	
R130	HL005820	R. MTL. OXD	820 $\Omega$	1/2W		酸化金属被膜抵抗	
R131	V8072100	R. MTL. OXD	5.6K $\Omega$	1W		酸化金属被膜抵抗	
R132	V8072100	R. MTL. OXD	5.6K $\Omega$	1W		酸化金属被膜抵抗	
R133	HV755100	R. CAR. FP	100 $\Omega$	1/4W		不燃化カーボン抵抗	01
R134	HL006270	R. MTL. OXD	2.7K $\Omega$	1/2W		酸化金属被膜抵抗	
R135	HL005330	R. MTL. OXD	330 $\Omega$	1/2W		酸化金属被膜抵抗	
R136	HL006100	R. MTL. OXD	1K $\Omega$	1/2W		酸化金属被膜抵抗	
R137	HL005820	R. MTL. OXD	820 $\Omega$	1/2W		酸化金属被膜抵抗	
△ R140	HV754100	R. CAR. FP	10 $\Omega$	1/4W		不燃化カーボン抵抗	01
△ R142	V8070200	R. MTL. FLM	4.7 $\Omega$	1W		金属被膜抵抗	
△ R143	V8071100	R. MTL. FLM	220 $\Omega$	1W		金属被膜抵抗	
△ R146	V8070200	R. MTL. FLM	4.7 $\Omega$	1W		金属被膜抵抗	
△ R147	V8070200	R. MTL. FLM	4.7 $\Omega$	1W		金属被膜抵抗	
△ R148	V8071100	R. MTL. FLM	220 $\Omega$	1W		金属被膜抵抗	
△ R150	V8070200	R. MTL. FLM	4.7 $\Omega$	1W		金属被膜抵抗	
△ R152	V8071100	R. MTL. FLM	220 $\Omega$	1W		金属被膜抵抗	
△ R153	HV754100	R. CAR. FP	10 $\Omega$	1/4W		不燃化カーボン抵抗	01
△ R154	HV754100	R. CAR. FP	10 $\Omega$	1/4W		不燃化カーボン抵抗	01
△ R155	HV754100	R. CAR. FP	10 $\Omega$	1/4W		不燃化カーボン抵抗	01
△ R156	V8071100	R. MTL. FLM	220 $\Omega$	1W		金属被膜抵抗	
△ R157	HV754100	R. CAR. FP	10 $\Omega$	1/4W		不燃化カーボン抵抗	01
△ R158	V8070300	R. MTL. FLM	10 $\Omega$	1W		金属被膜抵抗	
△ R159	V8071100	R. MTL. FLM	220 $\Omega$	1W		金属被膜抵抗	
△ R160	V8070300	R. MTL. FLM	10 $\Omega$	1W		金属被膜抵抗	
△ R162	HV756150	R. CAR. FP	1.5K $\Omega$	1/4W		不燃化カーボン抵抗	01
△ R164	V3873200	R. WW	0.22 $\Omega$	3W		セメント抵抗	02
△ R168	V3873200	R. WW	0.22 $\Omega$	3W		セメント抵抗	02
* △ R175	WB279900	R. WW	RGC55C	0.22+0.22		セメント抵抗	
* △ R177	WB279900	R. WW	RGC55C	0.22+0.22		セメント抵抗	
△ R181	V3873200	R. WW	0.22 $\Omega$	3W		セメント抵抗	02
△ R186	HV753470	R. CAR. FP	4.7 $\Omega$	1/4W		不燃化カーボン抵抗	01
△ R188	V8070300	R. MTL. FLM	10 $\Omega$	1W		金属被膜抵抗	

\* New Parts \* 新規部品(マーク#の部品は、基板に含まれません)



P.C.B. MAIN

Schm Ref.	PART NO.	Description	Remarks	Markets	部品名	Rank
	R190	HV753470 R. CAR. FP	4.7Ω 1/4W		不燃化カーボン抵抗	01
△	R192	V8070300 R. MTL. FLM	10Ω 1W		金属被膜抵抗	
	R195	HV754100 R. CAR. FP	10Ω 1/4W		不燃化カーボン抵抗	01
△	R196	V8070300 R. MTL. FLM	10Ω 1W		金属被膜抵抗	
	R199	HV754100 R. CAR. FP	10Ω 1/4W		不燃化カーボン抵抗	01
△	R200	V8070300 R. MTL. FLM	10Ω 1W		金属被膜抵抗	
	R203	HV754100 R. CAR. FP	10Ω 1/4W		不燃化カーボン抵抗	01
△	R204	V8070300 R. MTL. FLM	10Ω 1W		金属被膜抵抗	
△	R208	V8070200 R. MTL. FLM	4.7Ω 1W		金属被膜抵抗	
△	R220	V8070200 R. MTL. FLM	4.7Ω 1W		金属被膜抵抗	
△	R221	V8070200 R. MTL. FLM	4.7Ω 1W		金属被膜抵抗	
	R222	HV754100 R. CAR. FP	10Ω 1/4W		不燃化カーボン抵抗	01
	R223	HV754100 R. CAR. FP	10Ω 1/4W		不燃化カーボン抵抗	01
△	R228	HV753100 R. CAR. FP	1Ω 1/4W		不燃化カーボン抵抗	01
* △	R231	WA620700 R. MTL. FLM	6.8Ω 1W		金属被膜抵抗	
* △	R232	WA620700 R. MTL. FLM	6.8Ω 1W		金属被膜抵抗	
* △	R236	WA620700 R. MTL. FLM	6.8Ω 1W		金属被膜抵抗	
	R301	V8071300 R. MTL. FLM	470Ω 1W		金属被膜抵抗	
	R302	V8071300 R. MTL. FLM	470Ω 1W		金属被膜抵抗	
△	R306	HV755100 R. CAR. FP	100Ω 1/4W		不燃化カーボン抵抗	01
△	R307	HV756100 R. CAR. FP	1KΩ 1/4W		不燃化カーボン抵抗	01
	R314	V8071300 R. MTL. FLM	470Ω 1W		金属被膜抵抗	
	R315	V8071300 R. MTL. FLM	470Ω 1W		金属被膜抵抗	
△	R328	HV753100 R. CAR. FP	1Ω 1/4W		不燃化カーボン抵抗	01
△	R329	HV753100 R. CAR. FP	1Ω 1/4W		不燃化カーボン抵抗	01
	R333	HV753470 R. CAR. FP	4.7Ω 1/4W	RTAKBGL	不燃化カーボン抵抗	01
	R334	HV753470 R. CAR. FP	4.7Ω 1/4W	RTAKBGL	不燃化カーボン抵抗	01
	R335	HV753470 R. CAR. FP	4.7Ω 1/4W		不燃化カーボン抵抗	01
	R336	HV753470 R. CAR. FP	4.7Ω 1/4W	RTAKBGL	不燃化カーボン抵抗	01
	R337	HV753470 R. CAR. FP	4.7Ω 1/4W	RTAKBGL	不燃化カーボン抵抗	01
	R338	HV753470 R. CAR. FP	4.7Ω 1/4W	RTAKBGL	不燃化カーボン抵抗	01
	R401	HL006270 R. MTL. OXD	2.7KΩ 1/2W		酸化金属被膜抵抗	
	R402	HL005270 R. MTL. OXD	270Ω 1/2W		酸化金属被膜抵抗	
	R403	HL006100 R. MTL. OXD	1KΩ 1/2W		酸化金属被膜抵抗	
	R404	HL006100 R. MTL. OXD	1KΩ 1/2W		酸化金属被膜抵抗	
	R405	V8072100 R. MTL. OXD	5.6KΩ 1W		酸化金属被膜抵抗	
	R406	V8072100 R. MTL. OXD	5.6KΩ 1W		酸化金属被膜抵抗	
	R407	HV755100 R. CAR. FP	100Ω 1/4W		不燃化カーボン抵抗	01
△	R408	HV753100 R. CAR. FP	1Ω 1/4W		不燃化カーボン抵抗	01
△	R409	HV753100 R. CAR. FP	1Ω 1/4W		不燃化カーボン抵抗	01
△	R410	V8071100 R. MTL. FLM	220Ω 1W		金属被膜抵抗	
△	R411	HV754100 R. CAR. FP	10Ω 1/4W		不燃化カーボン抵抗	01
△	R412	HV754100 R. CAR. FP	10Ω 1/4W		不燃化カーボン抵抗	01
△	R413	V8070000 R. MTL. FLM	1Ω 1W		金属被膜抵抗	
△	R414	V8070000 R. MTL. FLM	1Ω 1W		金属被膜抵抗	
* △	R416	WB279900 R. WW	RGC55C 0.22+0.22		セメント抵抗	
△	R421	V8070300 R. MTL. FLM	10Ω 1W		金属被膜抵抗	
	R422	HV754100 R. CAR. FP	10Ω 1/4W		不燃化カーボン抵抗	01
	R423	V8070000 R. MTL. FLM	1Ω 1W		金属被膜抵抗	
	R424	V8070000 R. MTL. FLM	1Ω 1W		金属被膜抵抗	
	RY301	V5966300 RELAY	DS24D2-0S(M)		リレー 24V	05
	RY302	V5966300 RELAY	DS24D2-0S(M)		リレー 24V	05
	RY303	V5966300 RELAY	DS24D2-0S(M)		リレー 24V	05

\* New Parts \* 新規部品(マーク#の部品は、基板に含まれません)

**P.C.B. MAIN & P.C.B. POWER**

Schm Ref.	PART NO.	Description	Remarks	Markets	部品名	Rank
	RY304	V5966300 RELAY	DS24D2-0S(M)		リレー 24V	05
	ST101	V4040500 SCR. TERM	M3		スクリー/ターミナル	01
	ST301	V4040500 SCR. TERM	M3		スクリー/ターミナル	01
△	SW301	V4104200 SW. SLIDE	SL13B-022-AMCS	UCRTAKBGL	スライドSW	03
*	TE301	V5912200 TERM. SP	8P LTS0810	KBGL	スピーカターミナル 8P	
	TE301	V6771200 TERM. SP	8P LTS0810	JUCRTA	スピーカターミナル 8P	06
*	TE302	V5912200 TERM. SP	8P LTS0810	KBGL	スピーカターミナル 8P	
	TE302	V6771200 TERM. SP	8P LTS0810	JUCRTA	スピーカターミナル 8P	06
		EP600140 SCR. BND. HD	3x10 MFZN2BL		バインドBタイトネジ	01
*		WA702000 P. C. B.	POWER	J	P C B パワー	
*		WA702100 P. C. B.	POWER	UC	P C B パワー	
*		WA702200 P. C. B.	POWER	RTK	P C B パワー	
*		WA702300 P. C. B.	POWER	A	P C B パワー	
*		WA702400 P. C. B.	POWER	B	P C B パワー	
*		WA702500 P. C. B.	POWER	GL	P C B パワー	
	CB601	VM973500 CN. BS. PIN	17P		FFCコネクタ	01
	CB602	V7826500 CN	15P TE TUC SERIES		コネクタプラグ	01
	CB603	V7827400 SOCKET	7P TE TUC SERIES		コネクタソケット	
	CB604	V7828200 SOCKET	15P TE TUC SERIES		コネクタソケット	
	CB701	V7827100 SOCKET	4P TE TUC SERIES		コネクタソケット	
	CB702	VP206500 HOLDER. FUS	EYF-52BCT	UCGL	ヒューズホルダー	01
	CB703	VP206500 HOLDER. FUS	EYF-52BCT	UCGL	ヒューズホルダー	01
	CB704	VP206500 HOLDER. FUS	EYF-52BCT		ヒューズホルダー	01
	CB705	VP206500 HOLDER. FUS	EYF-52BCT		ヒューズホルダー	01
	CB706	VG879900 CN. BS. PIN	2P		ベースピン	01
	CB707	VG879900 CN. BS. PIN	2P		ベースピン	01
	CB941	VP206500 HOLDER. FUS	EYF-52BCT	RTK	ヒューズホルダー	01
	CB942	VP206500 HOLDER. FUS	EYF-52BCT	RTK	ヒューズホルダー	01
*	CB945	V9377800 CN. BS. PIN	3P SE VH SERIES	RTK	ベース付ポスト	
*	CB946	V9377900 CN. BS. PIN	4P SE VH SERIES	RTK	ベース付ポスト	
	C601	VL872800 C. PP	1000pF 100V		PPコン	01
	C602	UU137100 C. EL	10uF 16V		ケミコン	01
	C603	UR837100 C. EL	10uF 16V		ケミコン	01
	C604	UU137100 C. EL	10uF 16V		ケミコン	01
	C605	UR837100 C. EL	10uF 16V		ケミコン	01
	C606	UU137100 C. EL	10uF 16V		ケミコン	01
	C607	UR837100 C. EL	10uF 16V		ケミコン	01
	C608	UU138100 C. EL	100uF 16V		ケミコン	01
	C609	V2290000 C. EL	22uF 63V		ケミコン RA-2	01
	C610	UT652100 C. PP	100pF 100V		PPコン	01
	C611	UT652220 C. PP	220pF 100V		PPコン	01
	C612	UT652100 C. PP	100pF 100V		PPコン	01
	C613	UT652220 C. PP	220pF 100V		PPコン	01
	C614	UA652100 C. MYLAR	100pF 50V		マイラーコン	01
	C615	UA652220 C. MYLAR	220pF 50V		マイラーコン	01
	C616	UA652100 C. MYLAR	100pF 50V		マイラーコン	01
	C617	UA652220 C. MYLAR	220pF 50V		マイラーコン	01
	C618	UT652100 C. PP	100pF 100V		PPコン	01
	C619	UT652220 C. PP	220pF 100V		PPコン	01
	C620	UA652100 C. MYLAR	100pF 50V		マイラーコン	01

\* New Parts \* 新規部品(マーク#の部品は、基板に含まれません)

**P.C.B. POWER**

Schm Ref.	PART NO.	Description	Remarks	Markets	部 品 名	Rank
C621	UA652220	C. MYLAR 220pF 50V			マイラーコン	01
C622	V2290000	C. EL 22uF 63V			ケミコン R A - 2	01
C623	UT653220	C. PP 2200pF 100V			P P コン	01
C624	UT653220	C. PP 2200pF 100V			P P コン	01
C625	UA653220	C. MYLAR 2200pF 50V			マイラーコン	01
C626	UA653220	C. MYLAR 2200pF 50V			マイラーコン	01
C627	UT653220	C. PP 2200pF 100V			P P コン	01
C628	UA653220	C. MYLAR 2200pF 50V			マイラーコン	01
C629	VG291300	C. EL 100uF 50V			ケミコン	01
C630	VG291300	C. EL 100uF 50V			ケミコン	01
C631	V4578900	C. EL 47uF 35V			ケミコン	
C632	V4578900	C. EL 47uF 35V			ケミコン	
C633	VG291200	C. EL 47uF 50V			ケミコン	01
C634	V4578900	C. EL 47uF 35V			ケミコン	
C635	FU451150	C. MICA 15pF 500V			マイカコン	01
C636	FU451150	C. MICA 15pF 500V			マイカコン	01
C637	WA970200	C. CE 15pF 500V			セラコン (C H)	
C638	WA970200	C. CE 15pF 500V			セラコン (C H)	
C639	FU451150	C. MICA 15pF 500V			マイカコン	01
C640	WA970200	C. CE 15pF 500V			セラコン (C H)	
C701	VG289200	C. EL 470uF 25V			ケミコン	01
C702	UR847100	C. EL 10uF 25V		RTK	ケミコン	01
C703	UR897100	C. EL 10uF 100V		RTK	ケミコン	01
C704	UR867100	C. EL 10uF 50V		RTK	ケミコン	01
C705	VL884600	C. PP 0.01uF 100V		JUCABGL	P P コン	
C706	UA654100	C. MYLAR 0.01uF 50V		RTK	マイラーコン	01
C707	UA654100	C. MYLAR 0.01uF 50V		RTK	マイラーコン	01
△ C708	V6185300	C. CE. SAFTY 0.01uF 275V			規格認定コン	
C710	VR325100	C. MYLAR 0.01uF 100V			マイラーコン	01
D601	VG440300	DIODE. ZENR MTZJ12C 12V			ツェナーダイオード	01
D602	VD631600	DIODE 1SS133, 176			ダイオード	01
D603	VG440300	DIODE. ZENR MTZJ12C 12V			ツェナーダイオード	01
D604	VG438700	DIODE. ZENR MTZJ7.5C 7.5V		UCRTKABGL	ツェナーダイオード	01
D605	VG440100	DIODE. ZENR MTZJ12A 12V		J	ツェナーダイオード	01
D605	VG440900	DIODE. ZENR MTZJ15C 15V		UCRTKABGL	ツェナーダイオード	01
D606	VD631600	DIODE 1SS133, 176			ダイオード	01
D607	VD631600	DIODE 1SS133, 176			ダイオード	01
D701	VD631600	DIODE 1SS133, 176			ダイオード	01
D702	VD631600	DIODE 1SS133, 176		RTK	ダイオード	01
D703	VG440400	DIODE. ZENR MTZJ13A 13V		RTK	ツェナーダイオード	01
△ D704	WV307700	DIODE 1N4002S			ダイオード	01
△ D705	WV307700	DIODE 1N4002S			ダイオード	01
△ D706	WV307700	DIODE 1N4002S		RTK	ダイオード	01
△ D707	WV307700	DIODE 1N4002S			ダイオード	01
△ D708	WV307700	DIODE 1N4002S			ダイオード	01
△ F701	VS823300	FUSE T8A 125V		UC	ヒューズ	02
△ F701	VT942900	FUSE T2.5A 250V		GL	ヒューズ	01
△ F702	KB000790	FUSE T4.0A 250V		ABGL	ヒューズ	01
△ F702	VS823300	FUSE T8A 125V		JUCRTK	ヒューズ	02
△ F941	KB000790	FUSE T4.0A 250V		RTK	ヒューズ	01
PN701	V9637500	PIN L=70 #18			スタイルピン	
Q601	VP883100	TR 2SC1890A D, E			トランジスタ	01
Q602	VP883100	TR 2SC1890A D, E			トランジスタ	01

\* New Parts \* 新規部品(マーク#の部品は、基板に含まれません)

RX-V740/RX-V740RDS/DSP-AX740  
RX-V640/RX-V640RDS/HTR-5660/DSP-AX640/DSP-AX640SE

**P.C.B. POWER**

Schm Ref.	PART NO.	Description	Remarks	Markets	部品名	Rank
Q603	VP883100	TR	2SC1890A D, E		トランジスタ	01
Q604	VP883100	TR	2SC1890A D, E		トランジスタ	01
Q605	VP883100	TR	2SC1890A D, E		トランジスタ	01
Q606	VP883100	TR	2SC1890A D, E		トランジスタ	01
Q607	VP883100	TR	2SC1890A D, E	UCRTKABGL	トランジスタ	01
△ Q608	VR510800	TR	2SD2396 J, K		トランジスタ	02
Q609	VP883100	TR	2SC1890A D, E		トランジスタ	01
Q610	VP883100	TR	2SC1890A D, E		トランジスタ	01
Q611	VP883100	TR	2SC1890A D, E		トランジスタ	01
Q612	VP883100	TR	2SC1890A D, E		トランジスタ	01
Q613	VP883100	TR	2SC1890A D, E		トランジスタ	01
Q614	VP883100	TR	2SC1890A D, E		トランジスタ	01
Q615	VP883100	TR	2SC1890A D, E		トランジスタ	01
Q616	V3966800	TR	2SB949 O, Y		トランジスタ	02
Q617	V3966800	TR	2SB949 O, Y		トランジスタ	02
Q618	V3966800	TR	2SB949 O, Y		トランジスタ	02
Q619	V3966800	TR	2SB949 O, Y		トランジスタ	02
Q620	V3966800	TR	2SB949 O, Y		トランジスタ	02
Q621	V3966800	TR	2SB949 O, Y		トランジスタ	02
Q701	iC181510	TR	2SC1815 Y		トランジスタ	01
Q702	VR510800	TR	2SD2396 J, K	RTK	トランジスタ	02
Q703	iE102620	FET	2SK246 Y	RTK	F E T	01
Q704	VR510800	TR	2SD2396 J, K	RTK	トランジスタ	02
△ R636	HV754100	R. CAR. FP	10Ω 1/4W		不燃化カーボン抵抗	01
△ R644	HV756470	R. CAR. FP	4.7KΩ 1/4W		不燃化カーボン抵抗	01
R663	VP940400	R. MTL. OXD	100Ω 1W		酸化金属被膜抵抗	01
R664	VP940400	R. MTL. OXD	100Ω 1W		酸化金属被膜抵抗	01
R665	HV755100	R. CAR. FP	100Ω 1/4W		不燃化カーボン抵抗	01
R666	HV755100	R. CAR. FP	100Ω 1/4W		不燃化カーボン抵抗	01
R667	VP940400	R. MTL. OXD	100Ω 1W		酸化金属被膜抵抗	01
R668	HV755100	R. CAR. FP	100Ω 1/4W		不燃化カーボン抵抗	01
R705	V6730000	R. CAR.	2.2MΩ 1/2W	UC	放電抵抗	01
△ RY701	V2712300	RELAY	DC SDT-S-112LMR		リレー 12V	05
ST601	V4040500	SCR. TERM	M3		スクリュー/ターミナル	01
ST701	V4040500	SCR. TERM	M3		スクリュー/ターミナル	01
ST702	V4040500	SCR. TERM	M3		スクリュー/ターミナル	01
* △ SW941	V7182300	VOLT. SELCT	R8140213	RTK	電圧切替器	
* △ T701	XW605A00	TRANS. PWR		J	電源トランス	04
* △ T701	XW606A00	TRANS. PWR		UC	電源トランス	
* △ T701	XW608A00	TRANS. PWR		ABGL	電源トランス	
△ T701	XW974A00	TRANS. PWR		RTK	電源トランス	05
△ TE701	V5867400	OUTLET. AC	2P AC-182-GB-11V	RTK	ACアウトレット 2P	
△ TE701	VT915000	OUTLET. AC	1P	A	ACアウトレット	06
△ TE701	VU543100	OUTLET. AC	2P	JUC	ACアウトレット	03
△ TE701	VU543300	OUTLET. AC	1P	B	ACアウトレット	05
△ TE701	VU543400	OUTLET. AC	2P	GL	ACアウトレット	05
△	EP600140	SCR. BND. HD	3x10 MFZN2BL	RTK	バインドBタイトネジ	01

\* New Parts \* 新規部品(マーク#の部品は、基板に含まれません)

RX-V740/RX-V740RDS/DSP-AX740  
 RX-V640/RX-V640RDS/HTR-5660/DSP-AX640/DSP-AX640SE

**Chip Resistors**

Schm Ref.	PART NO.	Description	Remarks	Markets	部 品 名	Rank	
	RD350000	R. CAR. CHP	0 Ω 1/16W	5%, 1.6x0.8		チップ抵抗	01
	RD353220	R. CAR. CHP	2.2 Ω 1/16W	5%, 1.6x0.8		チップ抵抗	01
	RD353470	R. CAR. CHP	4.7 Ω 1/16W	5%, 1.6x0.8		チップ抵抗	01
	RD354330	R. CAR. CHP	33 Ω 1/16W	5%, 1.6x0.8		チップ抵抗	01
	RD354470	R. CAR. CHP	47 Ω 1/16W	5%, 1.6x0.8		チップ抵抗	01
	RD354750	R. CAR. CHP	75 Ω 1/16W	5%, 1.6x0.8		チップ抵抗	01
	RD354820	R. CAR. CHP	82 Ω 1/16W	5%, 1.6x0.8		チップ抵抗	01
	RD355100	R. CAR. CHP	100 Ω 1/16W	5%, 1.6x0.8		チップ抵抗	01
	RD355150	R. CAR. CHP	150 Ω 1/16W	5%, 1.6x0.8		チップ抵抗	01
	RD355180	R. CAR. CHP	180 Ω 1/16W	5%, 1.6x0.8		チップ抵抗	01
	RD355220	R. CAR. CHP	220 Ω 1/16W	5%, 1.6x0.8		チップ抵抗	01
	RD355330	R. CAR. CHP	330 Ω 1/16W	5%, 1.6x0.8		チップ抵抗	01
	RD355390	R. CAR. CHP	390 Ω 1/16W	5%, 1.6x0.8		チップ抵抗	01
	RD355470	R. CAR. CHP	470 Ω 1/16W	5%, 1.6x0.8		チップ抵抗	01
	RD355560	R. CAR. CHP	560 Ω 1/16W	5%, 1.6x0.8		チップ抵抗	01
	RD355680	R. CAR. CHP	680 Ω 1/16W	5%, 1.6x0.8		チップ抵抗	01
	RD355910	R. CAR. CHP	910 Ω 1/16W	5%, 1.6x0.8		チップ抵抗	01
	RD356100	R. CAR. CHP	1K Ω 1/16W	5%, 1.6x0.8		チップ抵抗	01
	RD356150	R. CAR. CHP	1.5K Ω 1/16W	5%, 1.6x0.8		チップ抵抗	01
	RD356220	R. CAR. CHP	2.2K Ω 1/16W	5%, 1.6x0.8		チップ抵抗	01
	RD356330	R. CAR. CHP	3.3K Ω 1/16W	5%, 1.6x0.8		チップ抵抗	01
	RD356360	R. CAR. CHP	3.6K Ω 1/16W	5%, 1.6x0.8		チップ抵抗	01
	RD356390	R. CAR. CHP	3.9K Ω 1/16W	5%, 1.6x0.8		チップ抵抗	01
	RD356470	R. CAR. CHP	4.7K Ω 1/16W	5%, 1.6x0.8		チップ抵抗	01
	RD356510	R. CAR. CHP	5.1K Ω 1/16W	5%, 1.6x0.8		チップ抵抗	01
	RD356680	R. CAR. CHP	6.8K Ω 1/16W	5%, 1.6x0.8		チップ抵抗	01
	RD356820	R. CAR. CHP	8.2K Ω 1/16W	5%, 1.6x0.8		チップ抵抗	01
	RD356910	R. CAR. CHP	9.1K Ω 1/16W	5%, 1.6x0.8		チップ抵抗	01
	RD357100	R. CAR. CHP	10K Ω 1/16W	5%, 1.6x0.8		チップ抵抗	01
	RD357150	R. CAR. CHP	15K Ω 1/16W	5%, 1.6x0.8		チップ抵抗	01
	RD357180	R. CAR. CHP	18K Ω 1/16W	5%, 1.6x0.8		チップ抵抗	01
	RD357220	R. CAR. CHP	22K Ω 1/16W	5%, 1.6x0.8		チップ抵抗	01
	RD357270	R. CAR. CHP	27K Ω 1/16W	5%, 1.6x0.8		チップ抵抗	01
	RD357330	R. CAR. CHP	33K Ω 1/16W	5%, 1.6x0.8		チップ抵抗	01
	RD357470	R. CAR. CHP	47K Ω 1/16W	5%, 1.6x0.8		チップ抵抗	01
	RD358100	R. CAR. CHP	100K Ω 1/16W	5%, 1.6x0.8		チップ抵抗	01
	RD358150	R. CAR. CHP	150K Ω 1/16W	5%, 1.6x0.8		チップ抵抗	01
	RD358220	R. CAR. CHP	220K Ω 1/16W	5%, 1.6x0.8		チップ抵抗	01
	RD358470	R. CAR. CHP	470K Ω 1/16W	5%, 1.6x0.8		チップ抵抗	01
	RD358680	R. CAR. CHP	680K Ω 1/16W	5%, 1.6x0.8		チップ抵抗	01
	RD359100	R. CAR. CHP	1M Ω 1/16W	5%, 1.6x0.8		チップ抵抗	01
	RD359220	R. CAR. CHP	2.2M Ω 1/16W	5%, 1.6x0.8		チップ抵抗	01
*	RF356240	R. CAR. CHP	2.4K Ω 1/16W	0.5%, 1.6x0.8		チップ抵抗	
*	RF355330	R. CHP	330 Ω 1/16W	0.5%, 1.6x0.8		チップ抵抗	01
*	RF356130	R. CHP	1.3K Ω 1/16W	0.5%, 1.6x0.8		チップ抵抗	01
*	RF356160	R. CHP	1.6K Ω 1/16W	0.5%, 1.6x0.8		チップ抵抗	01
	RF356180	R. CHP	1.8K Ω 1/16W	0.5%, 1.6x0.8		チップ抵抗	01
	RF356200	R. CHP	2K Ω 1/16W	0.5%, 1.6x0.8		チップ抵抗	01
	RF356220	R. CHP	2.2K Ω 1/16W	0.5%, 1.6x0.8		チップ抵抗	01
*	RF356270	R. CHP	2.7K Ω 1/16W	0.5%, 1.6x0.8		チップ抵抗	01
*	RF356300	R. CHP	3K Ω 1/16W	0.5%, 1.6x0.8		チップ抵抗	
	RF356330	R. CHP	3.3K Ω 1/16W	0.5%, 1.6x0.8		チップ抵抗	01
	RF356430	R. CHP	4.3K Ω 1/16W	0.5%, 1.6x0.8		チップ抵抗	

\* New Parts \* 新規部品(マーク#の部品は、基板に含まれません)

RX-V740/RX-V740RDS/DSP-AX740  
 RX-V640/RX-V640RDS/HTR-5660/DSP-AX640/DSP-AX640SE



Chip Resistors

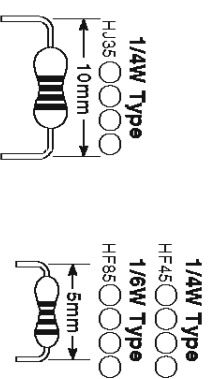
Schm Ref.	PART NO.	Description	Remarks	Markets	部 品 名	Rank
	RF356470	R. CHP 4.7KΩ 1/16W	0.5%, 1.6x0.8		チップ抵抗	01
	RF356510	R. CHP 5.1KΩ 1/16W	0.5%, 1.6x0.8		チップ抵抗	01
	RF356560	R. CHP 5.6KΩ 1/16W	0.5%, 1.6x0.8		チップ抵抗	
	RF356680	R. CHP 6.8KΩ 1/16W	0.5%, 1.6x0.8		チップ抵抗	01
	RF356750	R. CHP 7.5KΩ 1/16W	0.5%, 1.6x0.8		チップ抵抗	01
	RF357100	R. CHP 10KΩ 1/16W	0.5%, 1.6x0.8		チップ抵抗	01
	RF357240	R. CHP 24KΩ 1/16W	0.5%, 1.6x0.8		チップ抵抗	

\* New Parts \* 新規部品(マーク#の部品は、基板に含まれません)

RX-V740/RX-V740RDS/DSP-AX740  
 RX-V640/RX-V640RDS/HTR-5660/DSP-AX640/DSP-AX640SE

## Parts List for Carbon Resistors

Value	1/4W Type Part No.	1/6W Type Part No.	Value	1/4W Type Part No.	1/6W Type Part No.
1.0 Ω	HJ35 3100	HF85 3100	10 kΩ	HF45 7100	HF45 7100
1.8 Ω	HJ35 3180	*	11 kΩ	HF45 7110	HF45 7110
2.2 Ω	HJ35 3220	HF85 3220	12 kΩ	HJ35 7120	HF85 7120
3.3 Ω	HJ35 3330	HF85 3330	13 kΩ	HF45 7130	HF45 7130
4.7 Ω	HJ35 3470	HF85 3470	15 kΩ	HF45 7150	HF45 7150
5.6 Ω	HJ35 3560	HF85 3560	18 kΩ	HF45 7180	HF45 7180
10 Ω	HF45 4100	HF45 4100	22 kΩ	HF45 7220	HF45 7220
15 Ω	HJ35 4150	HF85 4150	24 kΩ	HF45 7240	HF45 7240
22 Ω	HF45 4220	HF45 4220	27 kΩ	HJ35 7270	HF85 7270
27 Ω	HJ35 4270	HF85 4270	30 kΩ	HF45 7300	HF45 7300
33 Ω	HF45 4330	HF45 4330	33 kΩ	HF45 7330	HF45 7330
39 Ω	HJ35 4470	HF85 4390	36 kΩ	HF45 7360	HF45 7360
47 Ω	HF45 4470	HF45 4470	39 kΩ	HF45 7390	HF45 7390
56 Ω	HF45 4560	HF45 4560	47 kΩ	HF45 7470	HF45 7470
68 Ω	HF45 4680	HF45 4680	51 kΩ	HF45 7510	HF45 7510
75 Ω	HF45 4750	HF45 4750	56 kΩ	HF45 7560	HF45 7560
82 Ω	HF45 4820	HF45 4820	62 kΩ	HF45 7620	HF45 7620
91 Ω	HF45 4910	HF45 4910	68 kΩ	HF45 7680	HF45 7680
100 Ω	HF45 5100	HF45 5100	82 kΩ	HF45 7820	HF45 7820
110 Ω	HJ35 5110	HF85 5110	91 kΩ	HF45 7910	HF45 7910
120 Ω	HF45 5120	HF45 5120	100 kΩ	HF45 8100	HF45 8100
150 Ω	HF45 5150	HF45 5150	110 kΩ	HF45 8110	HF45 8110
160 Ω	HJ35 5160	*	120 kΩ	HF45 8120	HF45 8120
180 Ω	HF45 5180	HF45 5180	150 kΩ	HF45 8150	HF45 8150
200 Ω	HF45 5200	HF45 5200	160 kΩ	HF45 8160	HF45 8160
220 Ω	HF45 5220	HF45 5220	220 kΩ	HJ35 8220	HF85 8220
270 Ω	HF45 5270	HF45 5270	270 kΩ	HF45 8270	HF45 8270
330 Ω	HF45 5330	HF45 5330	300 kΩ	HF45 8300	HF45 8300
390 Ω	HF45 5390	HF45 5390	390 kΩ	HF45 8390	HF45 8390
430 Ω	HF45 5430	HF45 5430	390 kΩ	HJ35 8390	HF85 8390
470 Ω	HF45 5470	HF45 5470	470 kΩ	HF45 8470	HF45 8470
510 Ω	HF45 5510	HF45 5510	560 kΩ	HJ35 8560	HF85 8560
560 Ω	HF45 5560	HF45 5560	680 kΩ	HJ35 8680	HF85 8680
680 Ω	HF45 5680	HF45 5680	820 kΩ	HF45 8820	HF85 8820
820 Ω	HF45 5820	HF45 5820	1.0 MΩ	HF45 9100	HF45 9100
910 Ω	HF45 5910	HF45 5910	1.2 MΩ	HJ35 9120	*
1.0 kΩ	HF45 6100	HF45 6100	1.5 MΩ	HJ35 9150	HF85 9150
1.2 kΩ	HF45 6120	HF45 6120	1.8 MΩ	HJ35 9180	HF85 9180
1.5 kΩ	HF45 6150	HF45 6150	2.2 MΩ	HJ35 9220	HF85 9220
1.8 kΩ	HF45 6180	HF45 6180	3.3 MΩ	HJ35 9330	HF85 9330
2.0 kΩ	HJ35 6200	HF85 6200	3.9 MΩ	HJ35 9390	*
2.2 kΩ	HF45 6220	HF45 6220	4.7 MΩ	HJ35 9470	HF85 9470
2.4 kΩ	HJ35 6240	HF85 6240			
2.7 kΩ	HF45 6270	HF45 6270			
3.0 kΩ	HF45 6300	HF45 6300			
3.3 kΩ	HF45 6330	HF45 6330			
3.6 kΩ	HJ35 6360	HF85 6360			
3.9 kΩ	HF45 6390	HF45 6390			
4.7 kΩ	HF45 6470	HF45 6470			
5.1 kΩ	HF45 6510	HF45 6510			
5.6 kΩ	HF45 6560	HF45 6560			
6.8 kΩ	HF45 6680	HF45 6680			
8.2 kΩ	HF45 6820	HF45 6820			
9.1 kΩ	HF45 6910	HF45 6910			



\* : Not available



**RX-V740/RX-V740RDS/DSP-AX740**

Schm Ref.	PART NO.	Description	Remarks	Markets	部品名	Rank
* 9	V7424300	AM/FM TUNER		UCRTK	AM/FM チューナ	
* 15	V6782400	AM/FM TUNER	FAE350-A10F	ABGL	AM/FM チューナ	
* Δ 15	X3912A00	POWER TRANSFORMER	TRGEIE317A	J	電源トランス	
* Δ 15	X3907A00	POWER TRANSFORMER		UC	電源トランス	
* Δ 15	X3908A00	POWER TRANSFORMER		RTK	電源トランス	
* Δ 15	X3909A00	POWER TRANSFORMER		A	電源トランス	
* Δ 15	X3913A00	POWER TRANSFORMER		BGL	電源トランス	
* Δ 16	V223100	POWER CABLE	1.8m	J	電源コード	07
* Δ 16	V2363900	POWER CABLE	2m	UC	電源コード	
* Δ 16	VN363200	POWER CABLE	2m	R	電源コード	04
* Δ 16	V2542500	POWER CABLE	2m	T	電源コード	05
* Δ 16	V8013000	POWER CABLE	2m	K	電源コード	
* Δ 16	V2298900	POWER CABLE	2m	A	電源コード	08
* Δ 16	VV437300	POWER CABLE	2m	B	電源コード	
* Δ 16	VN363700	POWER CABLE	2m	GL	電源コード	04
* Δ 16	V2438700	CORD STOPPER	10P1		コードストッパ	02
20	VV272500	DC FAN MOTOR	2410ML-05W-B20-L00		DCファンモーター	11
23	MF117070	FLEXIBLE FLAT CABLE	17P 70mm P=1.25		カード電線 C&C	
26	MF115070	FLEXIBLE FLAT CABLE	15P 70mm P=1.25		カード電線 C&C	
* 27	MF119350	FLEXIBLE FLAT CABLE	19P 350mm P=1.25		カード電線 C&C	
* 101	WA288400	TOP COVER		GD	トップカバー	
* 101	WA288300	TOP COVER		BL	トップカバー	
* 101	WA288500	TOP COVER		TI	トップカバー	
* 103	WA543300	REAR PANEL		AX740	リヤパネル	
* 103	WA289500	REAR PANEL		V740	リヤパネル	
* 103	WA289600	REAR PANEL		V740	リヤパネル	
* 103	WA289700	REAR PANEL		RTK	リヤパネル	
* 103	WA270100	REAR PANEL		V740	リヤパネル	
* 103	WA270200	REAR PANEL		V740RDS	リヤパネル	
* 103	WA289800	REAR PANEL		V740RDS	リヤパネル	
* 113	WA289300	DIFUSER		V740	リヤパネル	
120	V0042500	LEG	D60xH21	GD	ライクユーザー	03
120	V8025000	LEG	D60xH21	BL, TI	レッグ	02
* 121	V9124800	KNOB D47		GD	ノブ D47	
* 121	V9124700	KNOB D47		BL	ノブ D47	
* 121	V9124900	KNOB D47		TI	ノブ D47	
* 122	V9119600	KNOB D26		GD	ノブ D26	01
* 122	V9119500	KNOB D26		BL	ノブ D26	
* 122	V9119700	KNOB D26		TI	ノブ D26	
* 123	WA288400	KNOB D22.5		GD	ノブ D22.5	
* 123	WA288300	KNOB D22.5		BL	ノブ D22.5	
* 123	WA288500	KNOB D22.5		TI	ノブ D22.5	
* 131	WA288100	PLATE, SIDE		GD	プレート/サイド	
* 131	WA288000	PLATE, SIDE		BL	プレート/サイド	
* 131	WA288200	PLATE, SIDE		TI	プレート/サイド	
* 137	V5901100	DAMPER	10x50xT7		ダンパー	
138	V3198100	DAMPER	GUARD		ダンパー	01
139	V7616500	DAMPER			ダンパー	
* 150	V8466300	COVER/AC OUTLETS		K	カバー/ACチャットレット	
151	WB106900	BARRELY/TOP			バリカ/トップ	
153	WB562400	BARRELY/DSP		J	バリカ/DSP	
155	V0368600	PUSH RIVET	P3555-B		プッシュリベット	01
160	VN413300	BIND HEAD B-TITE SCREW	3x8 MFZ12BL		ボンドヘッドBタイトネジ	01
161	VY220300	BIND HEAD B-TITE SCREW	3x30 MFZ12BL		ボンドヘッドBタイトネジ	01

\* New Parts \* 新規部品(ローグ#の部品は、基板に含まれません)

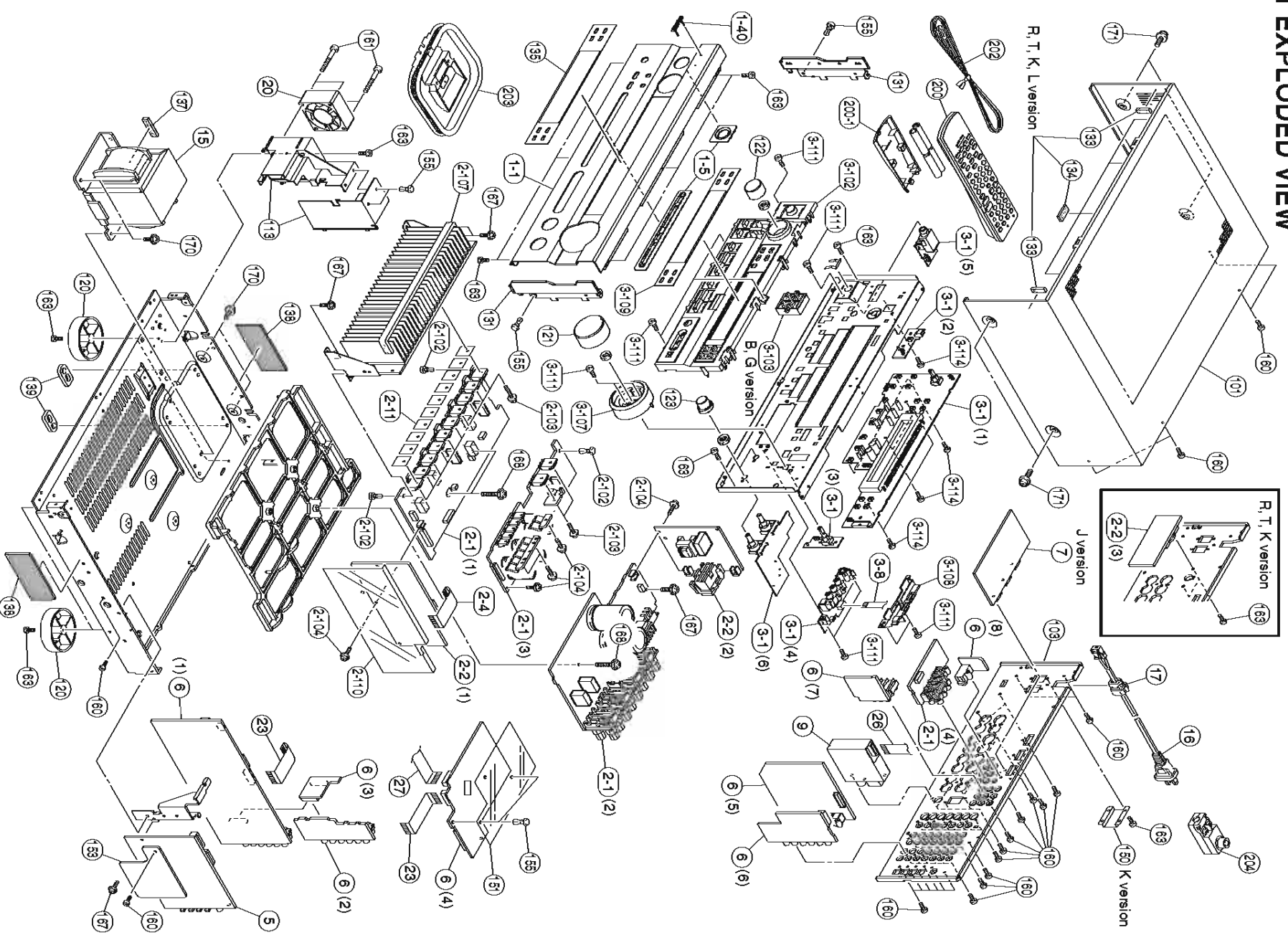
**RX-V740/RX-V740RDS/DSP-AX740**

Schm Ref.	PART NO.	Description	Remarks	Markets	部品名	Rank
163	EP600280	BIND HEAD B-TITE SCREW	3x8	MFZ12Y	ボンドヘッドBタイトネジ	01
167	VT689300	PM HEAD B-TITE SCREW	3x8-8	MFC2	PWヘッドBタイトネジ	01
168	VT689400	PM HEAD B-TITE SCREW	3x1.5-8	MFC2	PWヘッドBタイトネジ	01
170	WA247600	SCREW/TRANS #S	4x1.0-10	MFZ12Y	スクリーントランス#S	01
171	V0069600	PM HEAD S-TITE SCREW	4x8-10	MFN133	PWヘッドSタイトネジ	01
171	21991500	PM HEAD S-TITE SCREW	4x8-10	MFC2BL	PWヘッドSタイトネジ	01
176	AA627310	GROUND TERMINAL		GD, TI	グランドターミナル	01
		ACCESSORIES				
200	WA163700	REMOTE CONTROL	RAV236	BM0907	付属品	
200	WA163800	REMOTE CONTROL	RAV237	BM0908	リモコン	
200-1	AA331620	BATTERY COVER	71-0900-02000	71-0900-02000	電池蓋	05
202	V8267000	INDOOR FM ANTENNA	1.4m 1pc		FM簡易アンテナ	03
202	V0147100	INDOOR FM ANTENNA	1.4m 1pc		F M簡易アンテナ	02
203	VR248500	AM LOOP ANTENNA	1.0m 1pc		AMループアンテナ	03
204	VE364900	ANTENNA ADAPTER	PAL		整合器	03
		BATTERY, MANGANESE	UM-41E (2PC)		マンガン電池 2 P C	03

\* New Parts \* 新規部品(ローグ#の部品は、基板に含まれません)

RX-V740/RX-V740RDS/DSP-AX740  
 RX-V640/RX-V640RDS/HTR-5660/DSP-AX640SE  
**RX-V640/RX-V640RDS/HTR-5660/DSP-AX640**

EXPLODED VIEW



MECHANICAL PARTS

RX-V640/RX-V640RDS/HTR-5660/DSP-AX640

Ref.	Schm	PART NO.	Description	Remarks	Markets	部 品 名	Rank
1-1	*	WA277700	FRONT PANEL	V640GD	J	フロントパネル	03
1-1	*	WA276500	FRONT PANEL	V640RDSGD		フロントパネル	
1-1	*	WA276800	FRONT PANEL	AX640GD	J	フロントパネル	
1-1	*	WA277600	FRONT PANEL	V640BL		フロントパネル	
1-1	*	WA276300	FRONT PANEL	V640RDSBL		フロントパネル	
1-1	*	WA276600	FRONT PANEL	V640RDSSTI		フロントパネル	
1-1	*	WA278100	FRONT PANEL	5660GD		フロントパネル	
1-1	*	WA278000	FRONT PANEL	5660BL		フロントパネル	
1-5	*	WA287800	ESCUTCHEON/740	GD		エスカッション/740	
1-5	*	WA287700	ESCUTCHEON/740	BL		エスカッション/740	
1-5	*	WA287900	ESCUTCHEON/740	TI		エスカッション/740	
1-40	*	V6034200	EMBLEM	640GD,5660GD,BL		エンブレム	
1-40	*	V6034100	EMBLEM	640BL,TI		エンブレム	
2-1	*	WA700000	P.C.B. ASS'Y		J	PCB メイン	
2-1	*	WA700100	P.C.B. ASS'Y		UC	PCB メイン	
2-1	*	WA700200	P.C.B. ASS'Y		RTA	PCB メイン	
2-1	*	WA700300	P.C.B. ASS'Y		KBGL	PCB メイン	
2-2	*	WA702000	P.C.B. ASS'Y		J	PCB メイン	
2-2	*	WA702100	P.C.B. ASS'Y		UC	PCB メイン	
2-2	*	WA702200	P.C.B. ASS'Y		RTK	PCB メイン	
2-2	*	WA702300	P.C.B. ASS'Y		A	PCB メイン	
2-2	*	WA702400	P.C.B. ASS'Y		B	PCB メイン	
2-2	*	WA702500	P.C.B. ASS'Y		GL	PCB メイン	
2-4	*	MF117070	FLEXIBLE FLAT CABLE	17P 70mm P=1.25		カーダ電線 C&C	
2-11	*	VV849300	SHEET	19x24		シート/放熱	
2-102	*	VO368600	PUSH RIVET	P3555-B		フツツエリベット	
2-103	*	VK173200	*SCREW, TRANSISTOR*	3x15 SP MFC2		スクエーター	
2-104	*	VT669300	PN HEAD B-TITE SCREW	3x8-8 MFC2		PWヘッドBタイトネジ	
2-107	*	V5454200	DAMPER	2/10/260		ダンパー	
2-110	*	WA744400	SHHET			シート/パリア	
3-1	*	WA708000	P.C.B. ASS'Y		JRTKL	PCB オペレーション	
3-1	*	WA708100	P.C.B. ASS'Y		UCA	PCB オペレーション	
3-1	*	WA708200	P.C.B. ASS'Y		BG	PCB オペレーション	
3-8	*	MF108300	FLEXIBLE FLAT CABLE	9P 300mm P=1.25		カーダ電線 C&C	
3-102	*	WA285300	BUTTONCASE 740	V640GD	G	ボタツカー-ス740	
3-102	*	WA285900	BUTTONCASE 640	V640GD	RTKL	ボタツカー-ス640	
3-102	*	WA285800	BUTTONCASE 640	V640BL	UCAR	ボタツカー-ス640	
3-102	*	WA285200	BUTTONCASE 740	V640BL	BG	ボタツカー-ス740	
3-102	*	WA285400	BUTTONCASE 740	V640TI		ボタツカー-ス740	
3-102	*	WA285900	BUTTONCASE 640	5660GD		ボタツカー-ス640	
3-102	*	WA286000	BUTTONCASE 640	5660BL		ボタツカー-ス640	
3-103	*	WA286900	BUTTON/RDS 740	GD	G	ボタツ/RDS 740	
3-103	*	WA286800	BUTTON/RDS 740	BL	BG	ボタツ/RDS 740	
3-103	*	WA287000	BUTTON/RDS 740	TI	BG	ボタツ/RDS 740	
3-107	*	V9114700	ESCUTCHEON, VOL	GD		エスカッション/VOL	
3-107	*	V9114600	ESCUTCHEON, VOL	BL		エスカッション/VOL	
3-107	*	V9114800	ESCUTCHEON, VOL	TI		エスカッション/VOL	
3-108	*	V8469400	SUPPORT/PU	TI		サポート/PU	
3-109	*	WA289800	SHEET, WINDOW	V640RDS	BG	シート/ウインドウ	
3-109	*	WA289500	SHEET, WINDOW	AX640	J	シート/ウインドウ	
3-111	*	EP600250	BLIND HEAD B-TITE SCREW	3x8	MFZNY	ブラインドヘッドタイトネジ	
3-114	*	EP630220	BLIND HEAD P-TITE SCREW	3x8	MFZVBL	ブラインドヘッドタイトネジ	
5	*	WA704000	P.C.B. ASS'Y		J	PCB DSP	
5	*	WA704100	P.C.B. ASS'Y		UCRTKABGL	PCB DSP	

\* New Parts \* 新部品 (ナンバー#の部品は、基板に含まれません)



RX-V640/RX-V640RDS/HTR-5660/DSP-AX640

Schm Ref.	PART NO.	Description	Remarks	Markets	部品名	Rank	
*	6	WA705600	P.C.B. ASS Y	AX640	J	P C B	13
*	6	WA705700	P.C.B. ASS Y	V640, 5660	UC	P C B	
*	6	WA705800	P.C.B. ASS Y	V640, 5660	RTK	P C B	
*	6	WA705900	P.C.B. ASS Y	V640, 5660	A	P C B	
*	6	WA706000	P.C.B. ASS Y	V640RDS	BG	P C B	
*	6	WA706100	P.C.B. ASS Y	V640	L	P C B	
*	7	WA709000	P.C.B. ASS Y		J	P C B	
*	9	V7424200	AM/FM TUNER	FAE350-J10F	J	AM/FM チューナ	
*	9	V7424300	AM/FM TUNER	FAE350-A10F	UCRTK	AM/FM チューナ	
*	9	V6792400	AM/FM TUNER	TFCEIE317A	ABGL	AM/FM チューナ	
*	15	X3912A00	POWER TRANSFORMER		J	電源トランス	
*	15	X3907A00	POWER TRANSFORMER		UC	電源トランス	
*	15	X3908A00	POWER TRANSFORMER		RTK	電源トランス	
*	15	X3909A00	POWER TRANSFORMER		A	電源トランス	
*	15	X3913A00	POWER TRANSFORMER		BGL	電源トランス	
*	16	V2723100	POWER CABLE		J	電源コード	
*	16	V2363900	POWER CABLE		UC	電源コード	
*	16	VN363200	POWER CABLE		R	電源コード	
*	16	V7542500	POWER CABLE		T	電源コード	
*	16	V8013000	POWER CABLE		K	電源コード	
*	16	V2296900	POWER CABLE		A	電源コード	
*	16	VV437300	POWER CABLE		B	電源コード	
*	16	VN363700	POWER CABLE		Zm	電源コード	
*	17	V2438700	CORD STOPPER		TOP1	コードストッパー	
*	20	VV272500	DC FAN MOTOR	241QML-05H-B20-L00		DCファンモーター	
*	23	ME115070	FLEXIBLE FLAT CABLE	179 70mm P=1.25		カード電線 C&C	
*	26	ME115070	FLEXIBLE FLAT CABLE	159 70mm P=1.25		カード電線 C&C	
*	27	ME119350	FLEXIBLE FLAT CABLE	199 350mm P=1.25		カード電線 C&C	
*	101	WA288400	TOP COVER		GD	トップカバー	
*	101	WA288300	TOP COVER		BL	トップカバー	
*	101	WA288500	TOP COVER		TI	トップカバー	
*	103	WA271900	REAR PANEL	AX640	J	リヤパネル	
*	103	WA270600	REAR PANEL	V640	UC	リヤパネル	
*	103	WA270700	REAR PANEL	V640	RTK	リヤパネル	
*	103	WA270800	REAR PANEL	V640	A	リヤパネル	
*	103	WA271100	REAR PANEL	V640RDS	B	リヤパネル	
*	103	WA271200	REAR PANEL	V640RDS	G	リヤパネル	
*	103	WA270900	REAR PANEL	V640	L	リヤパネル	
*	103	WA271300	REAR PANEL	5660	UC	リヤパネル	
*	103	WA271400	REAR PANEL	5660	TK	リヤパネル	
*	103	WA271500	REAR PANEL	5660	A	リヤパネル	
*	113	WA299300	DIFFUSER			ディフューザー	
*	120	V0042500	LEG	640GD, 5660GD		レッグ	03
*	120	V5028000	LEG	640BLTI		レッグ	02
*	120	VV544300	LEG	5660BL		レッグ (BK)	02
*	121	V9120000	KNOB D47	GD		ノブ D 47	
*	121	V9119800	KNOB D47	BL		ノブ D 47	
*	121	V9120200	KNOB D47	TI		ノブ D 47	
*	122	V9119600	KNOB D26	V640RDSGD, AX640GD	JG	ノブ D 26	01
*	122	WA288900	KNOB D24	V640GD	RTKL	ノブ D 24	
*	122	V9119500	KNOB D26	V640RDSBL	BG	ノブ D 26	
*	122	WA289700	KNOB D24	V640BL	BG	ノブ D 24	
*	122	V9119700	KNOB D26	V640RDS TI	UCRA	ノブ D 26	
*	122	WA289900	KNOB D24	5660GD		ノブ D 24	

\* New Parts \* 新規部品(ローグ#の部品は、基板に含まれません)

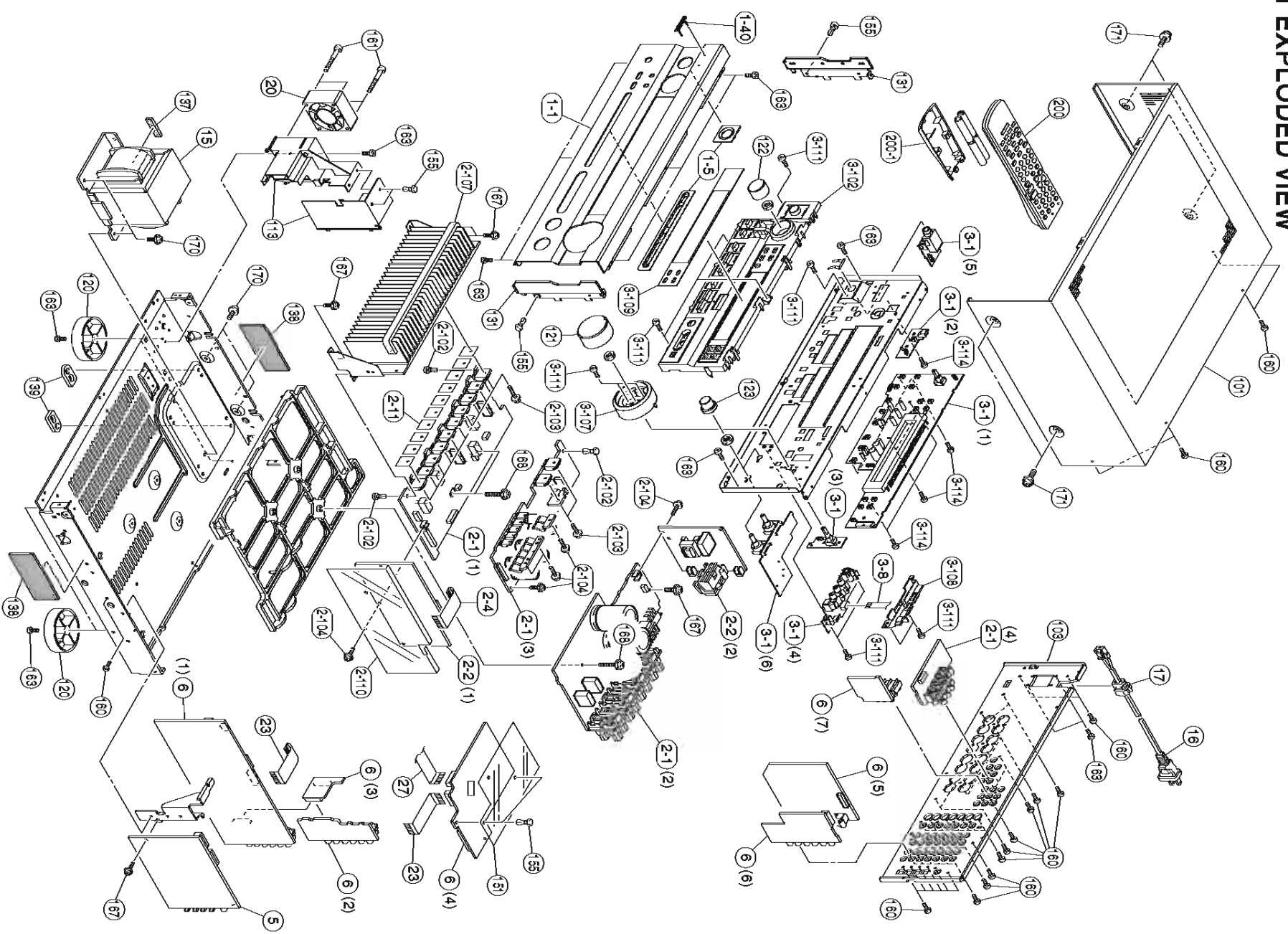
RX-V640/RX-V640RDS/HTR-5660/DSP-AX640

Schm Ref.	PART NO.	Description	Remarks	Markets	部品名	Rank	
*	122	WA289700	KNOB D24	5660BL		ノブ D 24	01
*	123	WA289400	KNOB D22.5	GD		ノブ D 22.5	
*	123	WA289300	KNOB D22.5	BL		ノブ D 22.5	
*	123	WA289500	KNOB D22.5	TI		ノブ D 22.5	
*	131	WA289100	PLATE, SIDE	GD		プレート/サイド	
*	131	WA289000	PLATE, SIDE	BL		プレート/サイド	
*	131	WA289200	PLATE, SIDE	TI		プレート/サイド	
*	133	VZ117200	DAMPER, T3			ダンパー/T3	01
*	134	V3175500	DAMPER			ダンパー	
*	135	WA290000	SHEET, WINDOW	V640GBL, 5660GD	RTKL	シート/ウインドウ	
*	135	WA290100	SHEET, WINDOW	5660BL	UCRA	シート/ウインドウ	
*	137	V5901100	DAMPER			ダンパー	
*	138	V3199100	DAMPER			ダンパー	
*	139	V7616800	DAMPER			ダンパー	
*	150	V8466300	COVER/AC OUTLETS		K	カバー/ACプラグレット	01
*	151	WB106900	BARRIER/TOP		J	バリヤ/トップ	
*	153	WB562400	BARRIER/DSP			バリヤ/DSP	
*	155	V0368600	PUSH RIVET			プッシュリベット	01
*	160	VN413300	BLIND HEAD BONDING B-T. SCREW			ボンディングBタイトネジ	01
*	161	VW220300	BLIND HEAD B-TITE SCREW			バインドBタイトネジ	01
*	163	EP600250	BLIND HEAD B-TITE SCREW			バインドBタイトネジ	01
*	167	VT669300	PW HEAD B-TITE SCREW			PWヘッドBタイトネジ	01
*	168	VT669400	PW HEAD B-TITE SCREW			PWヘッドBタイトネジ	01
*	170	WA247600	SCREW/TRANS #8			スクリュートランス#8	01
*	171	21991500	PW HEAD S-TITE SCREW			PWヘッドSタイトネジ	01
*	171	V0069600	PW HEAD S-TITE SCREW		GD, TI	PWヘッドSタイトネジ	01
*	200	WA163900	ACCESSORIES			付属品	
*	200	WA164000	REMOTE CONTROL	EM0915	JUCRTAL	リモコン	
*	200	AA334140	BATTERY COVER	EM0916	BG	電池蓋	05
*	202	V6267000	INDOOR FM ANTENNA	71-0910-02000	JUCRTK	FM簡易アンテナ	03
*	202	V0147100	INDOOR FM ANTENNA		ABGL	FM簡易アンテナ	02
*	203	VR248500	AM LOOP ANTENNA			AMループアンテナ	03
*	204	VE364900	ANTENNA ADAPTER		B	整合器	
*	204	VE364900	BATTERY, MANGANESE			マンガン電池 2 P C	03

\* New Parts \* 新規部品(ローグ#の部品は、基板に含まれません)

RX-V740/RX-V740RDS/DSP-AX740  
 RX-V640/RX-V640RDS/HTR-5660/DSP-AX640/DSP-AX640SE  
**DSP-AX640SE**

EXPLODED VIEW



MECHANICAL PARTS

**DSP-AX640SE**

Ref.	Schm	PART NO.	Description	Remarks	Markets	部 品 名	Rank
1-1	*	WA276900	FRONT PANEL	BL		フロントパネル	01
1-1	*	WA277100	FRONT PANEL	TI		フロントパネル	01
1-5	*	WA287700	ESCUTCHEON/740	BL		エスカッション/740	01
1-5	*	WA287900	ESCUTCHEON/740	BL		エスカッション/740	01
1-40	*	VA034100	EMBLEM	TI		エンブレム	01
2-1	*	WA700300	P.C.B. ASS'Y	BG	BG	PCB メイン	01
2-1	*	WA702400	P.C.B. ASS'Y	B	B	PCB パワー	01
2-2	*	WA702500	P.C.B. ASS'Y	G	G	PCB パワー	01
2-4	*	MF117070	FLEXIBLE FLAT CABLE			カード電線 C&C	01
2-11	*	VA849300	SHEET			シート/放熱	01
2-102	*	VA036600	PUSH RIVET			プッシュリベット	01
2-103	*	VK173200	SCREW, TRANSISTOR			スクリエーター	01
2-104	*	VT669300	PW HEAD B-TITE SCREW			PWヘッドBタイトネジ	01
2-107	*	VA546200	DAMPER			ダンパー	01
2-110	*	WA744400	SHHET			シート/バリア	01
3-1	*	WA708300	P.C.B. ASS'Y			PCB オペレーション	01
3-8	*	MF108300	FLEXIBLE FLAT CABLE	BL		カード電線 C&C	01
3-102	*	WA285500	BUTTONCASE 740	TI		ボタンケース740	01
3-102	*	WA285700	BUTTONCASE 740	TI		ボタンケース740	01
3-107	*	V9114600	ESCUTCHEON, VOL	BL		エスカッション/VOL	01
3-107	*	V9114800	ESCUTCHEON, VOL	TI		エスカッション/VOL	01
3-108	*	VA699400	SUPPORT/PJ			サポート/PJ	01
3-109	*	WA289900	SHEET, WINDOW			シート/ウィンドウ	01
3-111	*	EP600250	BLIND HEAD B-TITE SCREW			バインドヘッドBタイトネジ	01
3-114	*	EP630220	BLIND HEAD P-TITE SCREW			バインドヘッドPタイトネジ	01
5	*	WA704100	P.C.B. ASS'Y	BG	BG	PCB DSP	01
6	*	WA706200	P.C.B. ASS'Y	BG	BG	PCB フังก์ション	01
15	*	X9313400	POWER TRANSFORMER			電源トランス	08
16	*	VA437300	POWER CABLE		B	電源コード	04
16	*	VN363700	CORD STOPPER		G	コードストッパー	02
17	*	VV272500	DC FAN MOTOR			DCファンモーター	11
20	*	MF117070	FLEXIBLE FLAT CABLE			カード電線 C&C	01
23	*	MF119350	FLEXIBLE FLAT CABLE			カード電線 C&C	01
27	*	VA268300	TOP COVER	BL		トップカバー	01
101	*	WA268500	TOP COVER	TI		トップカバー	01
101	*	WA271900	REAR PANEL		B	リアパネル	01
103	*	WA272000	REAR PANEL		G	リアパネル	01
113	*	VA028000	DI/FUSER			リヤパネル	01
120	*	V9119800	LE6	BL		リヤパネル	01
121	*	V9120200	KNOB D47	TI		ノブ D47	02
121	*	V9119500	KNOB D47	TI		ノブ D47	01
122	*	V9119500	KNOB D26	BL		ノブ D26	01
122	*	V9119700	KNOB D26	TI		ノブ D26	01
123	*	WA288300	KNOB D22.5	BL		ノブ D22.5	01
123	*	WA288500	KNOB D22.5	TI		ノブ D22.5	01
131	*	WA288000	PLATE, SIDE	TI		プレート/サイド	01
131	*	WA289200	PLATE, SIDE	BL		プレート/サイド	01
137	*	V5901100	DAMPER			ダンパー	01
138	*	V3198100	DAMPER			ダンパー	01
139	*	V7616600	DAMPER			ダンパー	01
151	*	MB106900	BARRIER/TOP			バリア/トップ	01
155	*	VA036600	PUSH RIVET			プッシュリベット	01
160	*	VA413300	BLIND HEAD BONDING B-T. SCREW			バインドヘッドBタイトネジ	01

\* New Parts \* 新部品 (ナンバーの部品は、基板に含まれません)

**DSP-AX640SE**

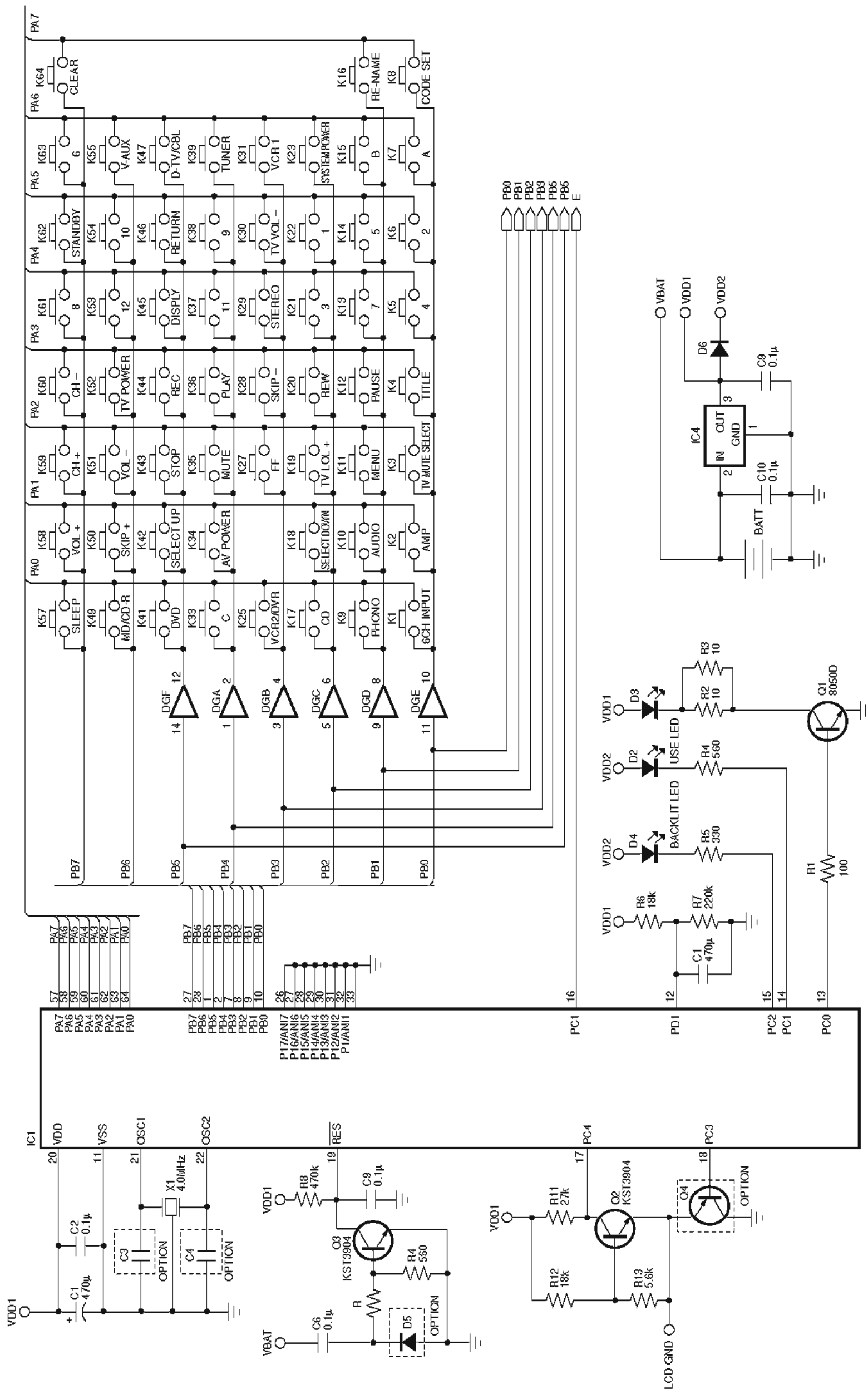
Schm Ref.	PART NO.	Description	Remarks	Markets	部 品 名	Rank
161	VV220300	BIND HEAD B-TITE SCREW 3x30 MFZN2BL			バインドBタイトネジ	01
163	EP600250	BIND HEAD B-TITE SCREW 3x8 MFZN2Y			バインドBタイトネジ	01
167	VT669300	PW HEAD B-TITE SCREW 3x8-8 MFC2			PWヘッドBタイトネジ	01
168	VT669400	PW HEAD B-TITE SCREW 3x15-8 MFC2			PWヘッドBタイトネジ	01
170	WA247600	SCREW/TRANS #S 4x10-10 MFZN2Y			スクリュートランス#S	01
171	21991500	PW HEAD S-TITE SCREW 4x8-10 MFC2BL	BL		PWヘッドSタイトネジ	01
171	VD069600	PW HEAD S-TITE SCREW 4x8-10 MFN133	TI		PWヘッドSタイトネジ	01
		ACCESSORIES			付属品	
* 200	WA164000	REMOTE CONTROL RAV245	BW0916		リモコン	
200-1	AAX34140	BATTERY COVER	71-0910-02000		電池蓋	05
		BATTERY, MANGANESE UM-4NE (2PC)			マンガン電池 2 P C	

\* New Parts \* 新規部品(マーク#の部品は、基板に含まれません)

RX-V740/RX-V740RDS/DSP-AX740  
RX-V640/RX-V640RDS/HTR-5660/DSP-AX640/DSP-AX640SE

**RX-V740/RX-V740RDS/DSP-AX740**

**REMOTE CONTROL RAV236, RAV237**



1

2

3

4

5

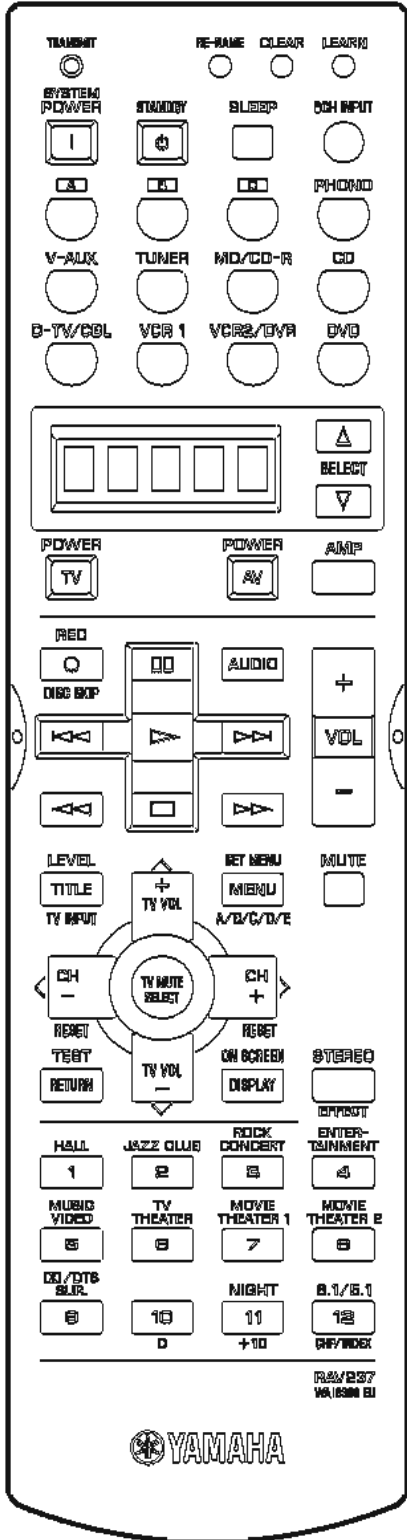
6

7





**RX-V740/RX-V740RDS/DSP-AX740**



Key No.	Schematic Key No.	Function	YPC	ZONE2			DVD	LD	CD	CD-R	MD	TAPE		TUNER		AMP	
				MAIN	ZONE2	SYSTEM	Yamaha1	Yamaha	Yamaha1	Yamaha2	Yamaha	Yamaha1	Yamaha2	Yamaha1	Yamaha2	FIX	
1	K18	RE-NAME	-	-	-	-	-	-	-	-	-	-	-	-	-	-	
2	K84	CLEAR	-	-	-	-	-	-	-	-	-	-	-	-	-	-	
3	K8	CODE SET	-	-	-	-	-	-	-	-	-	-	-	-	-	-	
4	K23	SYSTEM POWER	7A-1D	7E-7E	7E-BA	7A-1D	-	-	-	-	-	-	-	-	-	-	
5	K82	STANDBY	7A-1E	7E-7F	7E-BB	7A-1E	-	-	-	-	-	-	-	-	-	-	
6	K87	SLEEP	7A-67	7A-67	7A-67	-	-	-	-	-	-	-	-	-	-	-	
7	K1	8CH INPUT	7A-87	7A-87	7A-37	-	-	-	-	-	-	-	-	-	-	-	
8	K7	A	-	-	-	-	-	-	-	-	-	-	-	-	-	-	
9	K15	B	-	-	-	-	-	-	-	-	-	-	-	-	-	-	
10	K2	C	-	-	-	-	-	-	-	-	-	-	-	-	-	-	
11	K9	PHONO	7A-14	7A-14	7A-D0	-	-	-	-	-	-	-	-	-	-	-	
12	K55	V-AUX	7A-65	7A-65	7A-D3	-	-	-	-	-	-	-	-	-	-	-	
13	K39	TUNER	7A-18	7A-18	7A-D2	-	-	-	-	-	-	-	-	-	-	-	
14	K49	MD/CD-R	7A-C9	7A-C9	7A-CF	-	-	-	-	-	-	-	-	-	-	-	
15	K17	CD	7A-15	7A-15	7A-D1	-	-	-	-	-	-	-	-	-	-	-	
16	K47	D-TV/CBL	7A-54	7A-54	7A-D9	-	-	-	-	-	-	-	-	-	-	-	
17	K31	VCR 1	7A-0F	7A-0F	7A-D8	-	-	-	-	-	-	-	-	-	-	-	
18	K25	VCR2/DVR	7A-13	7A-13	7A-D7	-	-	-	-	-	-	-	-	-	-	-	
19	K41	DVD	7A-C1	7A-C1	7A-C0	-	-	-	-	-	-	-	-	-	-	-	
20	K42	SELECT ^	-	-	-	-	-	-	-	-	-	-	-	-	-	-	
21	K18	SELECT v	-	-	-	-	-	-	-	-	-	-	-	-	-	-	
22	K52	TV POWER	-	-	-	-	-	-	-	-	-	-	-	-	-	-	
23	K34	AV POWER	-	-	-	-	7C-80	-	-	-	-	-	-	-	-	-	
24	K2	AMP	-	-	-	-	-	-	-	-	-	-	-	-	-	-	
25	K28	REC	-	-	-	-	7C-8B	-	7A-4F	79-4F	-	79-AF	7A-04	7F-04	-	-	
26	K12	PAUSE	-	-	-	-	7C-83	7C-5A	7A-09	79-55	7F-83	79-A9	-	-	-	-	
27	K10	AUDIO	-	-	-	-	7C-AD	7C-12	-	-	-	-	7A-08	7F-08	-	-	
28	K28	SKIP -	-	-	-	-	7C-B9	7C-02	7A-0B	79-04	7F-88	79-AB	7A-07	7F-07	-	-	
29	K36	PLAY	-	-	-	-	7C-82	7C-05	7A-08	79-02	7F-82	79-A8	7A-00	7F-00	-	-	
30	K50	SKIP +	-	-	-	-	7C-BA	7C-03	7A-0A	79-07	7F-87	79-AE	7A-40	7F-08	-	-	
31	K20	REW	-	-	-	-	7C-88	7C-06	7A-0D	79-05	7F-88	79-AC	7A-01	7F-01	-	-	
32	K43	STOP	-	-	-	-	7C-85	7C-5B	7A-09	79-56	7F-84	79-AA	7A-03	7F-03	-	-	
33	K27	FF	-	-	-	-	7C-87	7C-07	7A-0C	79-06	7F-89	79-AD	7A-02	7F-02	-	-	
34	K58	VOL +	7A-1A	7A-1A	7A-1A	-	-	-	-	-	-	-	7A-1B	-	-	-	
35	K51	VOL -	7A-1B	7A-1B	7A-1B	-	-	-	-	-	-	-	7A-1B	-	-	-	
36	K4	TITLE	-	-	-	-	7C-B1	-	-	-	-	-	-	-	-	7A-86	
37	K19	^	-	-	-	-	7C-B4	-	-	-	-	-	-	-	-	7A-98	
38	K11	MENU	-	-	-	-	7C-B2	-	-	-	-	-	7A-12	D1-0D	7A-9C	-	
39	K80	<	-	-	-	-	7C-B5	-	-	-	-	-	7A-11	7A-11	7A-53	-	
40	K3	TV MUTE SELECT	-	-	-	-	7C-B8	-	-	-	-	-	-	-	-	-	
41	K59	>	-	-	-	-	7C-B6	-	-	-	-	-	7A-10	7A-10	7A-52	-	
42	K35	MUTE	7A-1C	7A-1C	7A-DC	-	-	-	-	-	-	-	7A-1C	-	-	-	
43	K48	RETURN	-	-	-	-	7C-B7	-	-	-	-	-	-	-	-	7A-85	
44	K20	v	-	-	-	-	7C-B3	-	-	-	-	-	-	-	-	7A-99	
45	K45	DISPLAY	-	-	-	-	7C-A6	7C-13	79-0A	79-0A	7F-9E	79-A5	-	-	-	7A-C2	
46	K29	STEREO	7A-56	7A-56	7A-56	-	-	-	-	-	-	-	7A-56	-	-	-	
47	K22	1	-	-	-	-	7C-94	7C-17	79-11	79-11	7F-91	79-85	-	-	7A-E5	D1-0E	7A-88
48	K6	2	-	-	-	-	7C-95	7C-18	79-12	79-12	7F-92	79-88	-	-	7A-E6	D1-0F	7A-89
49	K21	3	-	-	-	-	7C-96	7C-19	79-13	79-13	7F-93	79-87	-	-	7A-E7	D1-10	7A-8A
50	K5	4	-	-	-	-	7C-97	7C-1A	79-14	79-14	7F-94	79-88	-	-	7A-E8	D1-11	7A-8B
51	K14	5	-	-	-	-	7C-98	7C-1B	79-15	79-15	7F-95	79-89	-	-	7A-E9	D1-12	7A-8C
52	K83	6	-	-	-	-	7C-99	7C-1C	79-16	79-16	7F-96	79-8A	-	-	7A-EA	D1-13	7A-8D
53	K13	7	-	-	-	-	7C-9A	7C-1D	79-17	79-17	7F-97	79-8B	-	-	7A-EB	D1-14	7A-8E
54	K81	8	-	-	-	-	7C-9B	7C-1E	79-18	79-18	7F-98	79-8C	-	-	7A-EC	D1-15	7A-8F
55	K38	9	-	-	-	-	7C-9C	7C-1F	79-19	79-19	7F-99	79-8D	-	-	-	-	7A-90
56	K54	10	-	-	-	-	7C-93	7C-18	79-10	79-10	7F-90	79-8E	-	-	-	-	7A-96
58	K37	11	-	-	-	-	7C-9D	7C-5D	79-1A	79-1A	7F-9A	79-8F	-	-	-	-	-
58	K53	12	-	-	-	-	7C-9E	7C-15	79-0B	79-0B	7F-8A	-	-	-	-	-	7A-97

RX-V740/RX-V740RDS/DSP-AX740  
 RX-V640/RX-V640RDS/HTR-5660/DSP-AX640/DSP-AX640SE



RX-V640/RX-V640RDS/HTR-5660/DSP-AX640

DSP-AX640SE

Key Schematic Key No.	Function	YPC	ZONE2		DVD		LD	CD		CD-R	MD	TAPE	TUNER	AMP	
			MAIN	ZONE2	Yamaha1	Yamaha3		Yamaha1	Yamaha2						Yamaha1
1	CODE SET	-	-	-	-	-	-	-	-	-	-	-	-	-	
2	TV POWER	-	-	-	-	-	-	-	-	-	-	-	-	-	
3	AV POWER	-	-	-	-	-	-	-	-	-	-	-	-	-	
4	STANDBY	7A-1E	7E-7F	7E-8B	7A-1E	-	-	-	-	-	-	-	-	-	
5	SYSTEM POWER	7A-1D	7E-7E	7E-8A	7A-1D	-	-	-	-	-	-	-	-	-	
6	CD	7A-15	7A-15	7A-D1	-	-	-	-	-	-	-	-	-	-	
7	MD/CD-R	7A-C8	7A-C9	7A-CF	-	-	-	-	-	-	-	-	-	-	
8	TUNER	7A-16	7A-16	7A-D2	-	-	-	-	-	-	-	-	-	-	
9	SLEEP	7A-57	7A-57	-	-	-	-	-	-	-	-	-	-	-	
10	DVD	7A-C1	7A-C1	7A-CD	-	-	-	-	-	-	-	-	-	-	
11	D-TV/CBL	7A-54	7A-54	7A-D9	-	-	-	-	-	-	-	-	-	-	
12	V-AUX	7A-55	7A-55	7A-O8	-	-	-	-	-	-	-	-	-	-	
13	6CH INPUT	7A-87	7A-87	-	-	-	-	-	-	-	-	-	-	-	
14	VCR1	7A-0F	7A-0F	7A-D6	-	-	-	-	-	-	-	-	-	-	
15	VCR2/DVR	7A-13	7A-13	7A-D7	-	-	-	-	-	-	-	-	-	-	
16	★ ★	-	-	-	-	-	-	-	-	-	-	-	-	-	
17	AMP	-	-	-	-	-	-	-	-	-	-	-	-	-	
18	TV VOL +	-	-	-	-	-	-	-	-	-	-	-	-	-	
19	TV CH +	-	-	-	-	-	-	-	-	-	-	-	-	-	
20	VOLUME +	7A-1A	7A-1A	-	-	-	-	-	-	-	-	-	-	-	
21	TV VOL -	-	-	-	-	-	-	-	-	-	-	-	-	-	
22	TV CH -	-	-	-	-	-	-	-	-	-	-	-	-	-	
23	VOLUME -	7A-1B	7A-1B	-	-	-	-	-	-	-	-	-	-	-	
24	TV MUTE	-	-	-	-	-	-	-	-	-	-	-	-	-	
25	TV INPUT	-	-	-	-	-	-	-	-	-	-	-	-	-	
26	MUTE	7A-1C	7A-1C	7A-DC	-	-	-	-	-	-	-	-	-	-	
27	1	-	-	-	-	-	7C-94	004.001	048.001	7C-17	79-11	79-11	79-11	7A-E5	7A-88
28	2	-	-	-	-	-	7C-95	004.002	048.002	7C-18	79-12	79-12	79-12	7A-E6	7A-89
29	3	-	-	-	-	-	7C-96	004.003	048.003	7C-19	79-13	79-13	79-13	7A-E7	7A-8A
30	4	-	-	-	-	-	7C-97	004.004	048.004	7C-1A	79-14	79-14	79-14	7A-E8	7A-8B
31	5	-	-	-	-	-	7C-98	004.005	048.005	7C-1B	79-15	79-15	79-15	7A-E9	7A-8C
32	6	-	-	-	-	-	7C-99	004.006	048.006	7C-1C	79-16	79-16	79-16	7A-EA	7A-8D
33	7	-	-	-	-	-	7C-9A	004.007	048.007	7C-1D	79-17	79-17	79-17	7A-EB	7A-8E
34	8	-	-	-	-	-	7C-9B	004.008	048.008	7C-1E	79-18	79-18	79-18	7A-EC	7A-8F
35	9	-	-	-	-	-	7C-9C	004.009	048.009	7C-1F	79-19	79-19	79-19	-	7A-90
36	0	-	-	-	-	-	7C-9D	004.010	048.010	7C-10	79-10	79-10	79-10	-	7A-96
37	+10	-	-	-	-	-	7C-9E	004.120	-	7C-5D	79-1A	79-1A	79-1A	-	7A-97
38	ENTER	-	-	-	-	-	7C-9F	-	-	7C-15	79-0B	79-0B	-	-	7A-56
39	TITLE	-	-	-	-	-	7C-B1	004.113	048.200	-	-	-	-	-	7A-86
40	^	-	-	-	-	-	7C-B4	004.088	048.088	-	-	-	-	-	7A-88
41	MENU	-	-	-	-	-	7C-B2	004.084	048.084	-	-	-	-	-	7A-98
42	<	-	-	-	-	-	7C-B5	004.080	048.080	-	-	-	-	-	7A-9C
43	>	-	-	-	-	-	7C-B8	004.092	048.092	-	-	-	-	-	7A-53
44	RETURN	-	-	-	-	-	7C-B6	004.091	048.091	-	-	-	-	-	-
45	v	-	-	-	-	-	7C-B7	004.131	048.131	-	-	-	-	-	7A-52
46	DISPLAY	-	-	-	-	-	7C-B3	004.089	048.089	-	-	-	-	-	7A-85
47	REC	-	-	-	-	-	7C-A6	004.015	048.015	7C-13	79-0A	79-0A	79-0A	-	7A-99
48	REW	-	-	-	-	-	7C-9B	004.127	048.055	-	7A-4F	79-4F	79-4F	7A-04	7A-C2
49	FF	-	-	-	-	-	7C-98	004.041	048.041	7C-06	7A-0D	79-05	79-05	7A-01	-
50	AUDIO	-	-	-	-	-	7C-87	004.040	048.040	7C-07	7A-0C	79-06	79-06	7A-02	-
51	PAUSE	-	-	-	-	-	7C-AD	004.078	048.078	7C-12	-	-	-	7A-06	-
52	SKIP -	-	-	-	-	-	7C-83	004.048	048.048	7C-5A	7A-09	79-55	79-55	7A-07	-
53	SKIP +	-	-	-	-	-	7C-89	004.033	048.033	7C-02	7A-0B	79-04	79-04	7A-07	-
54	STOP	-	-	-	-	-	7C-8A	004.032	048.032	7C-03	7A-0A	79-07	79-07	7A-08	-
55	PLAY	-	-	-	-	-	7C-85	004.049	048.049	7C-5B	7A-09	79-56	79-56	7A-03	-
56	PLAY	-	-	-	-	-	7C-82	004.044	048.044	7C-05	7A-08	79-02	79-02	7A-00	-

